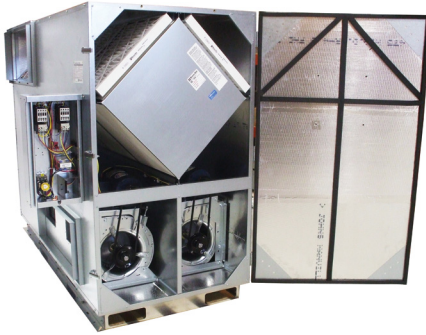




ENERGY RECOVERY VENTILATOR



INDOOR UNIT



Energy recovery core is AHRI Certified®



SPECIFICATIONS

Ventilation Type:
Static plate, heat and humidity transfer

Airflow Range: 1,000–4,400 CFM

AHRI 1060 Certified Core: Four L125-G5

Standard Features:
TEFC Premium efficiency motors
Motor starters
Non-fused disconnect
24VAC transformer/relay package
Cross-core differential pressure ports

Filters:
Total qty. 8, MERV 8: 20" x 20" x 2"

Unit Weight:
753–1,196 lbs., varies by option(s)

Max. Shipping Dimensions & Weight (on pallet):
60" L x 90" W x 70" H
1,332 lbs.

Motor(s):
Qty. 2, Belt drive blower/standard motor packages with adjustable sheaves (see table below)

Options:
Onboard variable frequency drives (VFDs): both airstreams
Shaft grounding ring on motors with VFDs
Fused disconnect
Integrated programmable controls: enhanced, premium
Bypass economizer damper (see bypass DIM drawing): dry-bulb temperature controls (standard), enthalpy controls (option)
Class 1 low leakage motorized isolation dampers: OA, RA or both airstreams
Factory mounted filter alarms: both airstreams
Double wall construction
Exterior paint: white, custom colors

Accessories:
Filters: MERV 13, 2" (shipped loose)
Automatic balancing damper: 4", 5", 6"
Digital time clock: wall mount (TC7D-W), in exterior enclosure (TC7D-E)
Carbon dioxide sensor/control: wall mount (CO2-W), duct mount (CO2-D)
IAQ sensor: wall mount (IAQ-W), duct mount (IAQ-D)
Motion occupancy sensor/control: ceiling mount (MC-C), wall mount (MC-W)
Smoke detector: duct mount (SD-D)
Indoor electric duct heater: EK series (1–175 kW)
Indirect gas-fired duct furnace: GH series (50–400 MBH); Installed downstream of any fans

AIRFLOW PERFORMANCE

| Motor HP | Blower RPM | Sheave Adj. Turns Open | External Static Pressure (Inches Water Column) | | | | | | | | | | | | | |
|----------|------------|------------------------|--|-----|------|-----|------|-----|------|-----|------|-----|------|-----|------|-----|
| | | | 0.00 | | 0.25 | | 0.50 | | 0.75 | | 1.00 | | 1.25 | | 1.50 | |
| | | | SCFM | BHP | SCFM | BHP | SCFM | BHP | SCFM | BHP | SCFM | BHP | SCFM | BHP | SCFM | BHP |
| 2.0 | 1191 | 4 | 3330 | 1.4 | 3015 | 1.2 | 2690 | 1.0 | 1915 | 0.8 | 1085 | 0.6 | | | | |
| | 1329 | 2 | 3715 | 1.9 | 3440 | 1.7 | 3100 | 1.5 | 2485 | 1.3 | 2000 | 1.0 | 1200 | 0.8 | | |
| | 1432 | 0.5 | 4000 | 2.4 | 3740 | 2.2 | 3480 | 2.0 | 3050 | 1.7 | 2490 | 1.5 | 1900 | 1.2 | 1100 | 0.9 |
| | 1466 | 0 | | | | | | | 3200 | 1.9 | 2650 | 1.6 | 2120 | 1.3 | 1385 | 1.1 |
| 3.0 | 1462 | 3 | 4060 | 2.6 | 3810 | 2.4 | 3550 | 2.1 | 3180 | 1.9 | 2645 | 1.6 | 2075 | 1.3 | 1345 | 1.0 |
| | 1503 | 2.5 | 4175 | 2.8 | 3940 | 2.6 | 3700 | 2.4 | 3340 | 2.1 | 2885 | 1.7 | 2300 | 1.5 | 1600 | 1.2 |
| | 1586 | 1.5 | | | | | 3950 | 2.8 | 3640 | 2.5 | 3250 | 2.3 | 2745 | 2.0 | 2170 | 1.7 |
| | 1668 | 0.5 | | | | | | | 3900 | 3.0 | 3600 | 2.7 | 3155 | 2.4 | 2640 | 2.1 |
| | 1710 | 0 | | | | | | | | | 3750 | 3.0 | 3350 | 2.7 | 2975 | 2.4 |
| 5.0 | 1627 | 4 | 4393 | 3.9 | 4210 | 3.7 | 4050 | 3.6 | 3800 | 3.3 | 3490 | 3.1 | 3020 | 2.7 | 2385 | 2.4 |
| | 1731 | 2 | | | | | 4350 | 4.3 | 4150 | 4.1 | 3895 | 3.8 | 3515 | 3.5 | 3055 | 3.2 |
| | 1836 | 0 | | | | | | | 4400 | 5.0 | 4250 | 4.7 | 3970 | 4.4 | 3550 | 4.0 |

Operation in this zone will likely exceed FLA limits. Operation in this zone outside of core airflow limits.

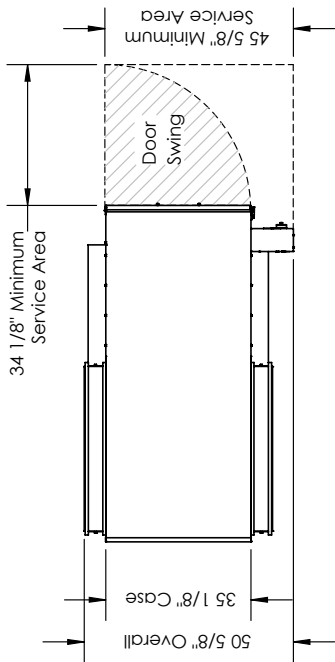
Note: Brake horsepower (BHP) is for one blower motor package only. Airflow performance includes effect of clean, standard filter supplied with unit.

ELECTRICAL DATA

| Standard Electrical Specifications | | | | | | | Optional Factory Installed VFD Electrical Specifications | | |
|------------------------------------|---------|----|--------|---------------|----------------|------------------------------------|--|----------------|------------------------------------|
| HP | Volts | Hz | Phase | FLA per motor | Min. Cir. Amps | Max. Overcurrent Protection Device | FLA per motor | Min. Cir. Amps | Max. Overcurrent Protection Device |
| 2.0 | 120 | 60 | Single | 20 | 45 | 60 | | | |
| 2.0 | 208–230 | 60 | Single | 10.8–10.0 | 24.3 | 35 | 6.6–5.8 | 28.3 | 30 |
| | 208–230 | 60 | Three | 6.6–5.8 | 14.9 | 20 | 6.6–5.8 | 16.3 | 20 |
| | 460 | 60 | Three | 2.9 | 6.5 | 15 | 2.9 | 7.2 | 15 |
| | 575 | 60 | Three | 2.4 | 5.4 | 15 | 2.4 | 5.9 | 15 |
| 3.0 | 208–230 | 60 | Single | 14.7–14 | 33.1 | 40 | 9.4–8.5 | 40.2 | 45 |
| | 208–230 | 60 | Three | 9.4–8.5 | 21.1 | 25 | 9.4–8.5 | 23.2 | 25 |
| | 460 | 60 | Three | 4.2 | 9.5 | 15 | 4.2 | 10.5 | 15 |
| | 575 | 60 | Three | 3.3 | 7.4 | 15 | 3.3 | 8.2 | 15 |
| 5.0 | 208–230 | 60 | Three | 14.5–13.4 | 32.6 | 45 | 14.5–13.4 | 35.9 | 45 |
| | 460 | 60 | Three | 6.7 | 15.1 | 20 | 6.7 | 16.6 | 20 |
| | 575 | 60 | Three | 5.3 | 11.9 | 15 | 5.3 | 13.1 | 15 |



HE4XIN[®] ENERGY RECOVERY VENTILATOR



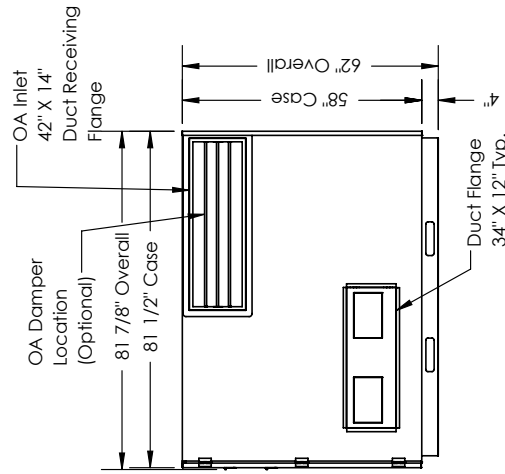
TOP VIEW

ABBREVIATIONS
 EA: Exhaust Air to outside
 OA: Outside Air Intake
 RA: Room Air to be exhausted
 FA: Fresh Air to inside

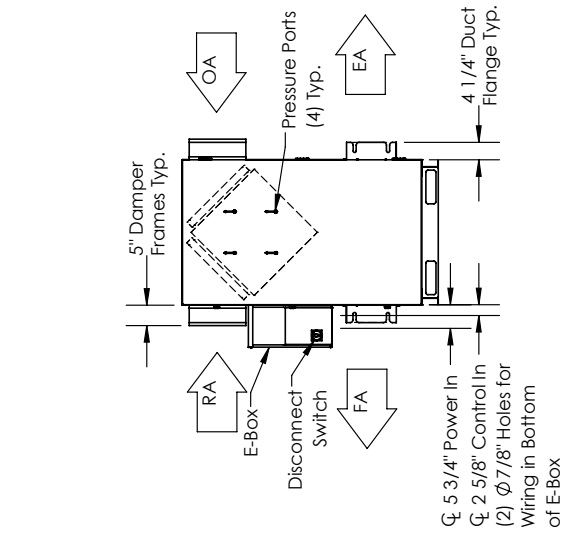
INSTALLATION ORIENTATION
 Unit must be installed in orientation shown.

NOTE
 1. UNLESS OTHERWISE SPECIFIED, DIMENSIONS ARE ROUNDED TO THE NEAREST EIGHTH OF AN INCH.
 2. SPECIFICATIONS MAY BE SUBJECT TO CHANGE WITHOUT NOTICE.

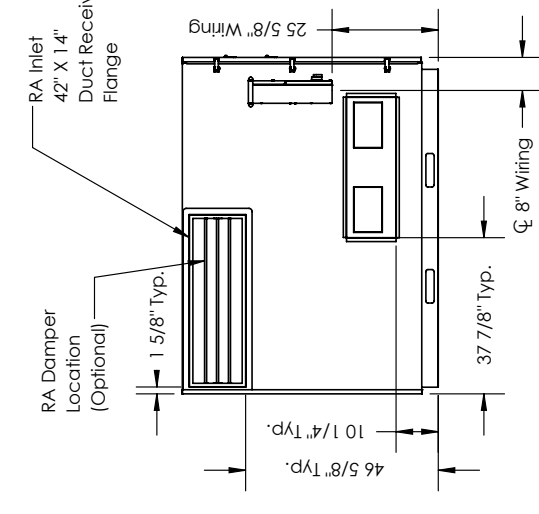
3. MIN. DUCT CLEARANCE FROM DAMPER BLADES WHEN FULLY OPENED TO BE 2". SMACNA RULES APPLY.



RIGHT VIEW



FRONT VIEW



LEFT VIEW

AIRFLOW ORIENTATION
 Available as shown in dimension drawing.

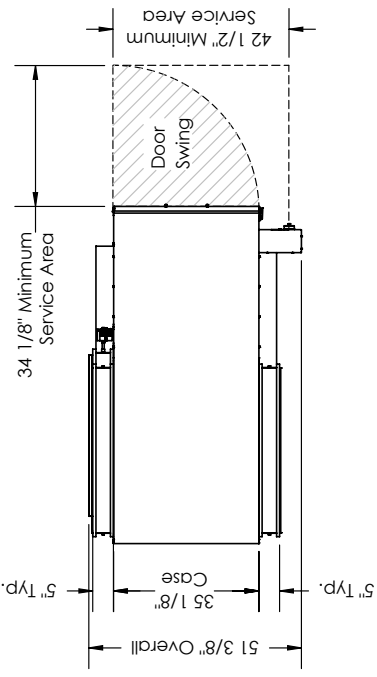
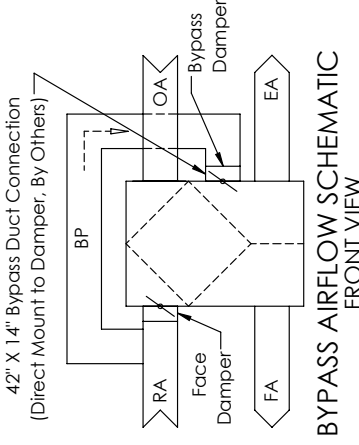


UNIT MOUNTING & APPLICATION
 Must be mounted as shown. RA/EA airstream can be switched with OA/FA airstream unless certain options are selected.

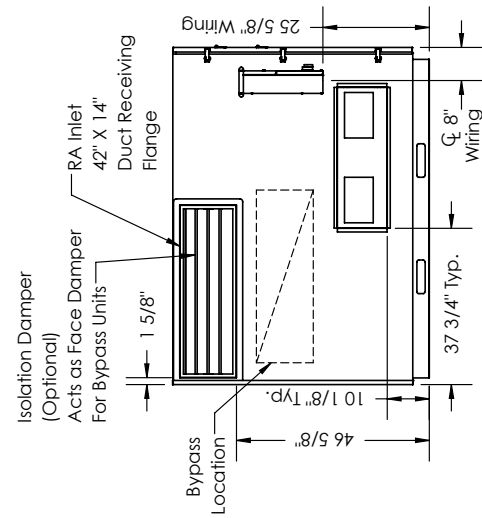


HE4XIN[®] ENERGY RECOVERY VENTILATOR WITH BYPASS ECONOMIZER

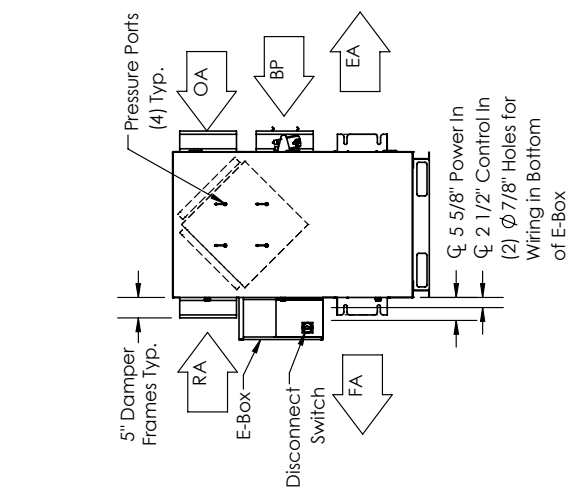
- ABBREVIATIONS**
 EA: Exhaust Air to outside
 OA: Outside Air intake
 RA: Room Air to be exhausted
 FA: Fresh Air to inside
 BP: Bypass Air Intake
- INSTALLATION ORIENTATION**
 Unit must be installed in orientation shown.
- NOTE**
 1. UNLESS OTHERWISE SPECIFIED, DIMENSIONS ARE ROUNDED TO THE NEAREST EIGHTH OF AN INCH.
 2. SPECIFICATIONS MAY BE SUBJECT TO CHANGE WITHOUT NOTICE.
 3. MIN. DUCT CLEARANCE FROM DAMPER BLADE WHEN FULLY OPENED TO BE 2". SMACNA RULES APPLY.
 4. UNITS WITH BYPASS WILL REQUIRE ADDITIONAL SPACE FOR THE CONNECTION OF THE BYPASS DUCT (BY OTHERS).
 5. FOR INSTALLATION DETAILS, REFER TO I&O MANUAL SUPPLEMENT FOR BYPASS.



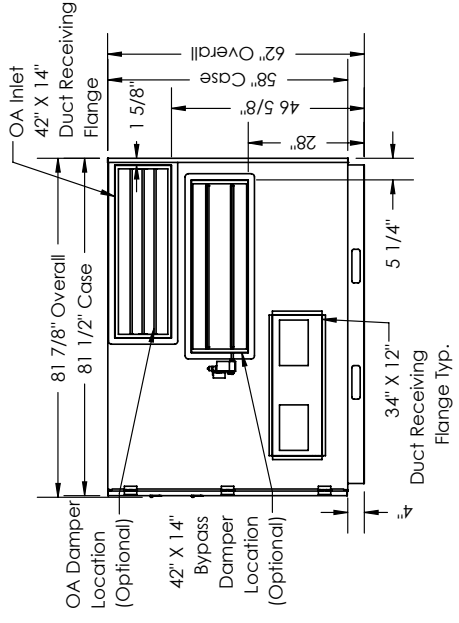
TOP VIEW



LEFT VIEW



FRONT VIEW



RIGHT VIEW

AIRFLOW ORIENTATION
 Available as shown in dimension drawing.



UNIT MOUNTING & APPLICATION
 Must be mounted as shown. Airstreams cannot be switched.