

# HE 4XRT

## Energy Recovery Ventilator Standard



### ROOFTOP UNIT



Energy Recovery Core is AHRI Certified®



### SPECIFICATIONS

**Ventilation Type:**  
Static plate, heat and humidity transfer

**Typical Airflow Range:** 1,000-4,400 CFM

**AHRI 1060 Certified Core:** Four L125-G5

**Standard Features:**  
TEFC Premium efficiency motors  
Motor starters  
Non-fused disconnect  
24 VAC transformer/relay package  
Cross-core differential pressure ports

**Filters:**  
Total qty. 8, MERV 8: 20" x 20" x 2"

**Unit Weight:**  
845-1,143 lbs., varies by option(s)

**Max. Shipping Dimensions & Weight (on pallet):**  
80" L x 90" W x 67" H  
1,279 lbs.

**Motor(s):**  
Qty. 2, Belt drive blower/standard motor packages with adjustable sheaves (see table below)

**Options:**  
Onboard variable frequency drives (VFDs) - both airstreams  
Shaft grounding ring on motors with VFDs  
Fused disconnect  
Integrated programmable controls - enhanced, premium  
Class 1 low leakage motorized isolation dampers - OA, RA or both airstreams  
Qty. 2, Factory mounted filter alarms - both airstreams  
Double wall construction  
Exterior paint - white, custom colors

**Accessories:**  
Filters - MERV 13, 2" (shipped loose)  
Automatic balancing damper - 4", 5", 6"  
Roof curb - standard 14"  
Curb wind clip  
Engineered combo curb for Carrier RTU  
Engineered combo curb for Trane RTU  
Digital time clock - wall mount (TC7D-W), in exterior enclosure (TC7D-E)  
Carbon dioxide sensor/control - wall mount (CO2-W), duct mount (CO2-D)  
IAQ sensor - wall mount (IAQ-W), duct mount (IAQ-D)  
Motion occupancy sensor/control - ceiling mount (MC-C), wall mount (MC-W)  
Smoke Detector - duct mount (SD-D)  
Electric duct heater - EK series (1-175 kW); designed for indoor ductwork installation only  
Indirect gas-fired duct furnace - GH series (50-400 MBH), installed downstream of any fans

### AIRFLOW PERFORMANCE

Motor HP	Blower RPM	Sheave Adj. Turns Open	External Static Pressure (in. w.g.)													
			0.00		0.25		0.50		0.75		1.00		1.25		1.50	
			SCFM	BHP	SCFM	BHP	SCFM	BHP	SCFM	BHP	SCFM	BHP	SCFM	BHP	SCFM	BHP
2.0	1186	4	3099	1.5	2790	1.3	2295	1.1	1790	0.8	1150	0.6				
	1326	2	3465	2.2	3185	1.9	2810	1.7	2335	1.4	1885	1.2				
	1466	0									2451	1.8	2026	1.5	1485	1.2
3.0	1455	4	3812	2.7	3550	2.5	3285	2.3	2820	2.0	2400	1.7	1970	1.5	1450	1.2
	1527	3			3750	2.9	3500	2.7	3085	2.4	2676	2.1	2300	1.9	1815	1.5
	1598	2							3350	2.6	2950	2.6	2590	2.3	2175	2.0
	1670	1									3210	3.0	2870	2.7	2500	2.4
	1742	0													2800	2.9
5.0	1623	4	4165	3.7	3965	3.5	3750	3.3	3475	3.0	3055	2.5	2685	2.3	2290	2.0
	1728	2			4240	4.3	4050	4.0	3820	3.7	3450	3.3	3050	3.0	2720	2.6
	1832	0					4345	4.9	4140	4.5	3850	4.2	3490	3.7	3145	3.3

**Note:** Brake Horse Power (BHP) is for one blower motor package only. Operation in this zone will likely exceed FLA limits. Operation in this zone outside of core airflow limits.

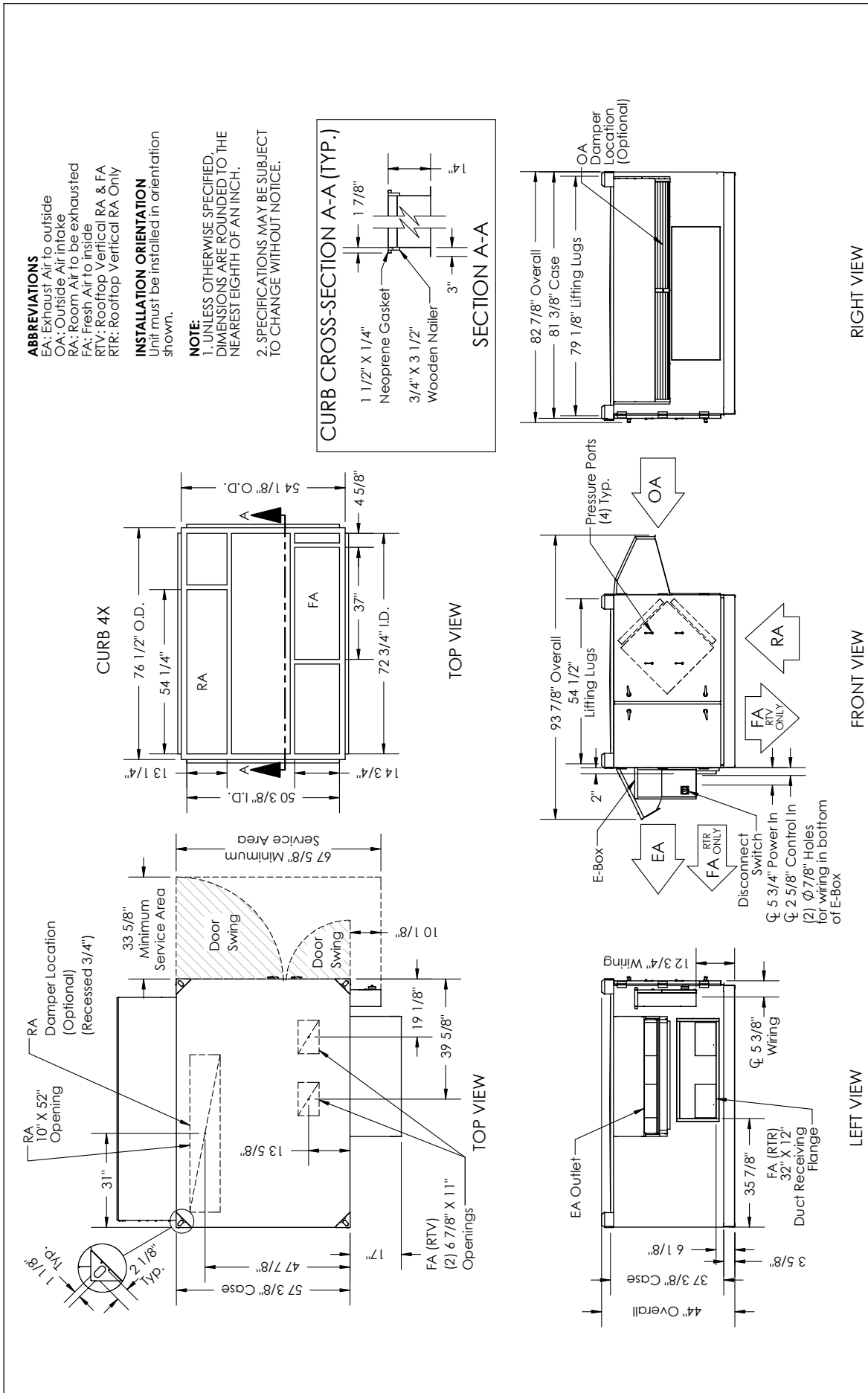
**Note:** Airflow performance includes effect of clean, standard filter supplied with unit.

### ELECTRICAL DATA

Standard Electrical Specifications							Optional Factory Installed VFD Electrical Specifications		
HP	Volts	HZ	Phase	FLA per motor	Min. Cir. Amps	Max. Overcurrent Protection Device	FLA per motor	Min. Cir. Amps	Max. Overcurrent Protection Device
2.0	120	60	Single	20.0	45.0	60			
2.0	208-230	60	Single	10.8-10.0	24.3	35	6.6-5.8	28.3	30
	208-230	60	Three	6.6-5.8	14.9	20	6.6-5.8	16.3	20
	460	60	Three	2.9	6.5	15	2.9	7.2	15
	575	60	Three	2.4	5.4	15	2.4	5.9	15
3.0	208-230	60	Single	14.7-14	33.1	40	9.4-8.5	40.2	45
	208-230	60	Three	9.4-8.5	21.1	25	9.4-8.5	23.2	25
	460	60	Three	4.2	9.5	15	4.24	10.5	15
	575	60	Three	3.3	7.4	15	3.3	8.2	15
5.0	208-230	60	Three	14.5-13.4	32.6	45	14.5-13.4	35.9	45
	460	60	Three	6.7	15.1	20	6.7	16.6	20
	575	60	Three	5.3	11.9	15	5.3	13.1	15



**HE4XRT (RTV/RTR) Energy Recovery Ventilator Standard**



**AIRFLOW ORIENTATION**  
 Available as shown:

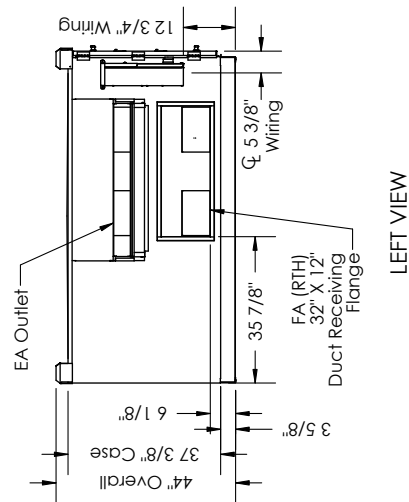
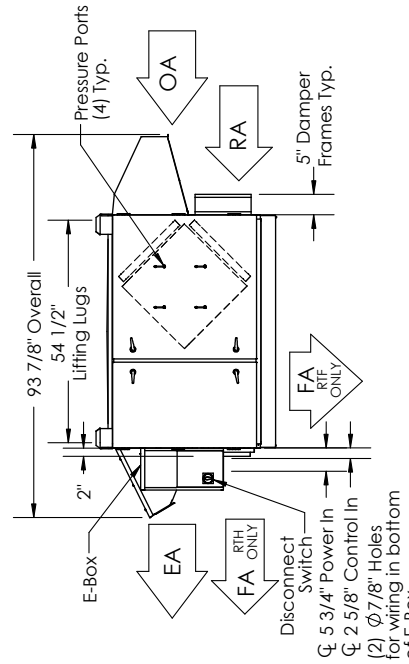
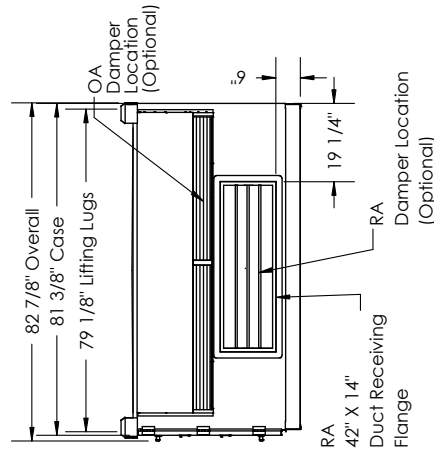
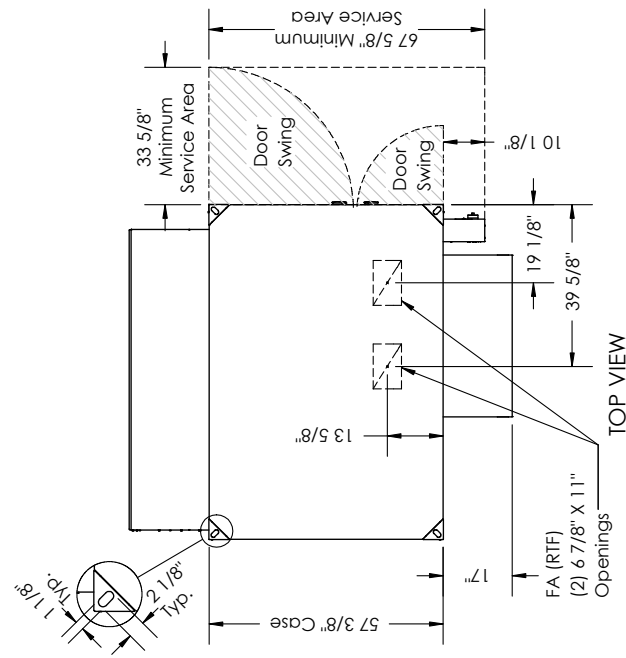
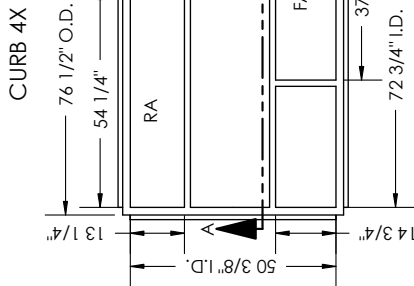
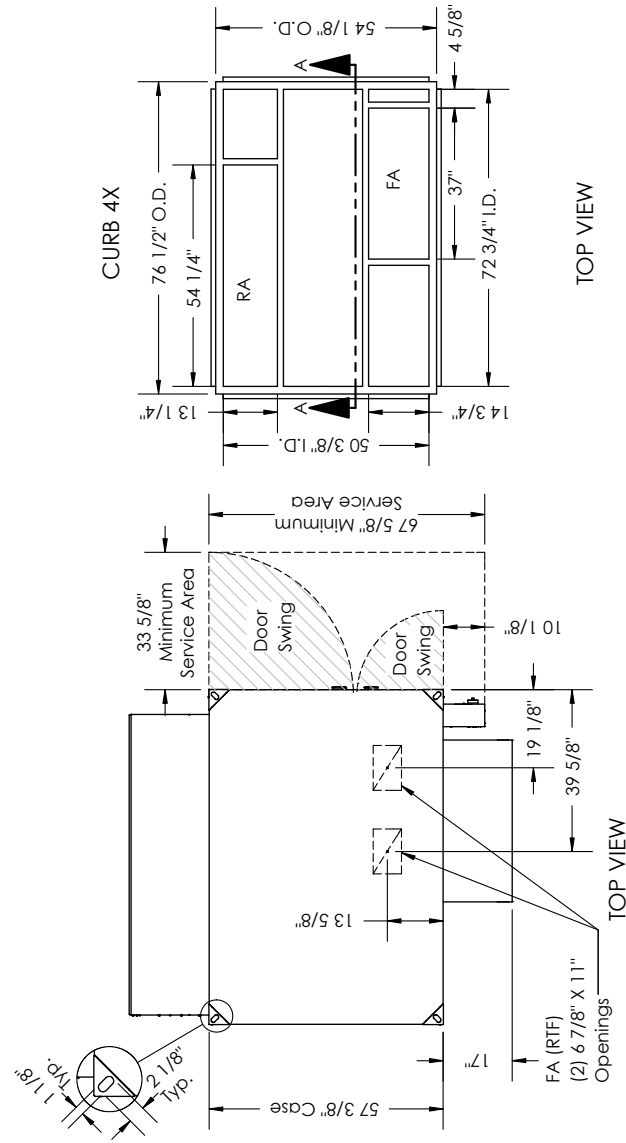
**UNIT MOUNTING & APPLICATION**  
 Must be mounted as shown. Airstreams can not be switched.

**HE4XRT (RTH/RTF) Energy Recovery Ventilator Standard**

**ABBREVIATIONS**  
 EA: Exhaust Air to outside  
 OA: Outside Air Intake  
 RA: Room Air to be exhausted  
 FA: Fresh Air to inside  
 RTF: Rooftop Vertical FA Only  
 RTH: Rooftop Horizontal RA & FA

**INSTALLATION ORIENTATION**  
 Unit must be installed in orientation shown.

**NOTE:**  
 1. UNLESS OTHERWISE SPECIFIED, DIMENSIONS ARE ROUNDED TO THE NEAREST EIGHTH OF AN INCH.  
 2. SPECIFICATIONS MAY BE SUBJECT TO CHANGE WITHOUT NOTICE.



**UNIT MOUNTING & APPLICATION**  
 Must be mounted as shown. Airstreams can not be switched.



**AIRFLOW ORIENTATION**  
 Available as shown:

