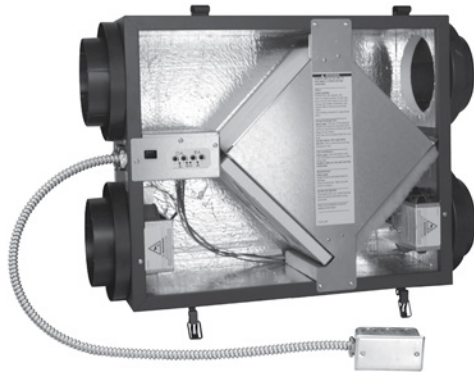


SL 70H

INDOOR UNIT

Energy Recovery Ventilator EC Motor



SPECIFICATIONS

Ventilation Type:
Static plate, heat and humidity transfer

Continuous Operation Airflow: 51–76 CFM
Boost Mode Airflow: 76–94 CFM

Unit is HVI Tested/Certified per CSA C439
Protocol: Using one L-30-G5 Core

Standard Features:
Gray painted cabinet
Hard wiring in junction box
Low-voltage circuit for controls
Unit may be mounted in any orientation
Cross-core differential pressure ports
Dial-A-Flow: balance and airflow adjustment
Variable speed
Boost-mode

Controls:
Onboard digital controller with independent variable speeds

Filters:
Total qty. 2, MERV 8, spun-polyester media:
7 1/2" x 10 1/2" x 1"

Unit Weight: 32 lbs.

Max. Shipping Dimensions & Weight (in carton):
29 1/2" L x 22 1/2" W x 11 1/2" H
38 lbs.

Motor(s):
Qty. 2, 48V EC motorized impellers

Accessories:
Backdraft damper: 6", 8"
Automatic balancing damper: 4", 5", 6"
Louvered wall vent 6": white, brown
Digital time clock: wall mount (TC7D-W),
in exterior enclosure (TC7D-E)
Carbon dioxide sensor/control: wall mount (CO2-W)
IAQ sensor: wall mount (IAQ-W)
Motion occupancy sensor/control:
ceiling mount (MC-C), wall mount (MC-W)
Push-button boost timer (PBT)
Percentage timer control (PTL)
Percentage timer control with furnace interlock (FM)
Push-button point-of-use controls (PBL), PTL req'd.
MERV 13 filter: OA airstream (shipped loose)
Wall bracket kit
Electric duct heater: RH series (1–3 kW);
designed for indoor ductwork installation only

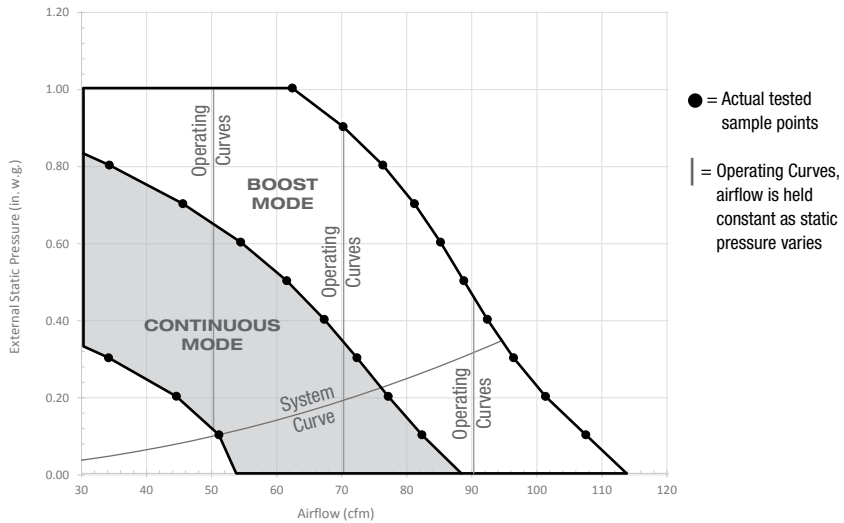
EC MOTOR OPERATING RANGE

Sample Points Depicted in Larger Dots			
Airflow (CFM)	External Static Pressure (Inches Water Column)	Unit Power Consumption (Watts)	
Continuous Mode	82	0.1	62
	77	0.2	60
	72	0.3	59
	67	0.4	58
	61	0.5	56
	54	0.6	54
	45	0.7	51
	34	0.8	47
Boost-Mode	108	0.1	104
	102	0.2	102
	95	0.3	100
	91	0.4	99
	89	0.5	97
	85	0.6	96
	81	0.7	94
	76	0.8	92
70	0.9	89	
61	1.0	85	

Note: Watts is for the entire unit.
Note: Airflow performance includes effect of clean, standard filter supplied with unit.
Note: Refer to CORES for specific operating point electrical data.

ELECTRICAL DATA

Watts	Volts	Hz	Phase	FLA per motor	Min. Cir. Amps	Max. Overcurrent Protection Device
96	120	60	1	2	10	15

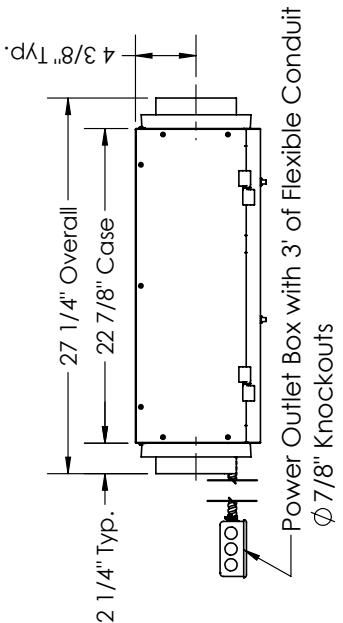


CORE PERFORMANCE

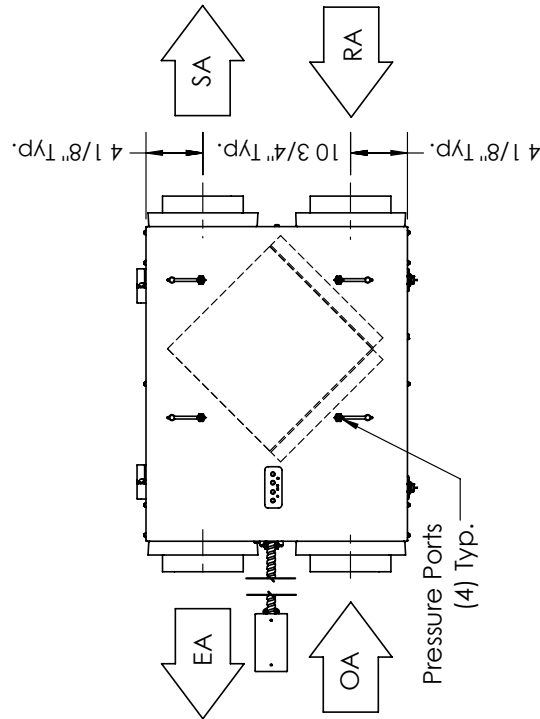
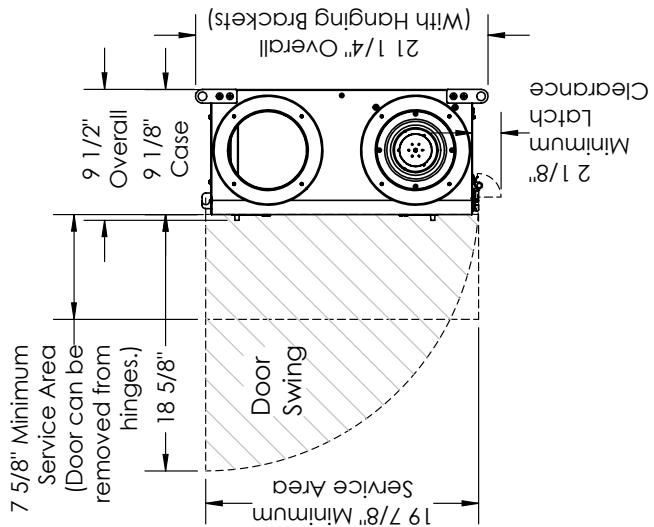
Continuous Mode			Boost-Mode		
Airflow (CFM)	Sensible EFF%	Total EFF% Winter/Summer*	Airflow (CFM)	Sensible EFF%	Total EFF% Winter/Summer*
82	73	67/52	108	68	61/44
77	74	68/53	102	69	62/46
72	75	69/55	95	71	64/48
67	76	70/56	91	71	65/49
61	77	72/58	89	72	65/50
54	78	73/60	85	72	66/51
45	80	75/62	81	73	67/52
34	82	78/65	76	74	68/53
			70	75	70/55
			61	77	72/58

Note: These are core-only ratings and are not HVI certified.
HVI ratings apply to complete units only.
See HVI certification ratings on pg. 32 of Single/Multi-Family Catalog.

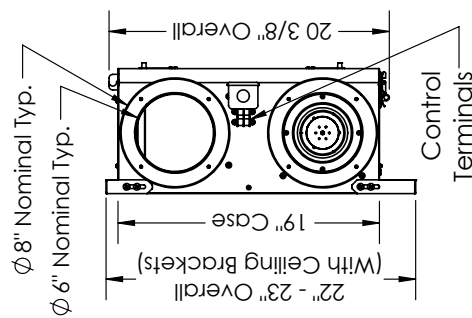
SL70H Energy Recovery Ventilator EC Motor



TOP VIEW



FRONT VIEW



LEFT VIEW
(Hard Mount Depicted)

ABBREVIATIONS

- EA: Exhaust Air to outside
- OA: Outside Air intake
- RA: Room Air to be exhausted
- SA: Supply Air to inside

INSTALLATION ORIENTATION

Unit may be installed in any orientation.

NOTE

1. UNLESS OTHERWISE SPECIFIED, DIMENSIONS ARE ROUNDED TO THE NEAREST EIGHTH OF AN INCH.
2. SPECIFICATIONS MAY BE SUBJECT TO CHANGE WITHOUT NOTICE.

UNIT MOUNTING & APPLICATION
Can be mounted in any orientation. RA/OA airstream can be switched with OA/FA airstream.



AIRFLOW ORIENTATION
Available as shown in dimension drawing.

