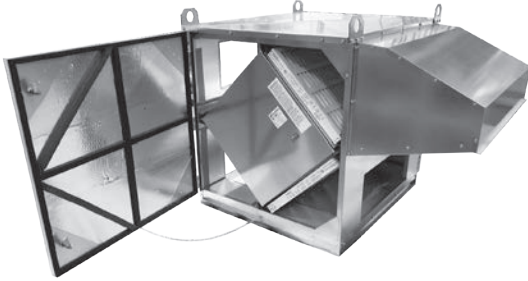


# CA OUTDOOR Energy Recovery Module



## ROOFTOP UNITS Modular Cabinets



Download specification at:  
[renewaire.com/specifications](http://renewaire.com/specifications)

## SPECIFICATIONS

**Ventilation Type:**  
Static plate, heat and humidity transfer

**Standard Features:**  
Insulated sheet metal cabinets with energy exchange cores and filters.  
Blower not included and must be specified to meet job requirements.

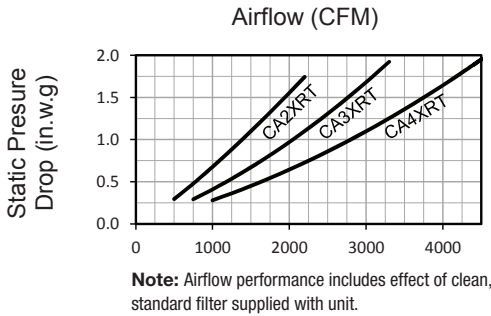
**Insulation:**  
One inch, high density, FSK faced, fiberglass

**Options:**  
Double wall construction  
Exterior paint - white, custom colors

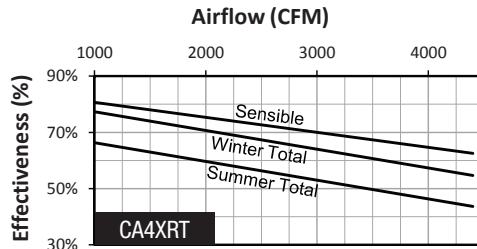
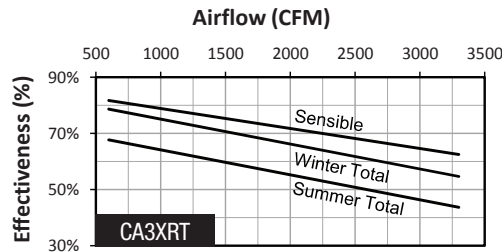
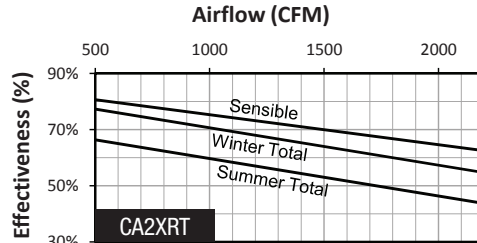
**Accessories:**  
Roof curb - standard 14"  
Filters - MERV 13, 2" (shipped loose)

Description	CA2XRT	CA3XRT	CA4XRT
<b>Typical Airflow Range CFM</b>	500-2,200	750-3,300	1,000-4,400
<b>AHRI 1060 Certified Core</b>	Two L125-G5	Three L125-G5	Four L125-G5
<b>Unit Dimensions &amp; Weight</b>	55 1/2" L x 43 1/4" W x 42 1/4" H 250-329 lbs.	55 1/2" L x 63 1/2" W x 42 1/2" H 377-482 lbs.	55 1/2" L x 83 1/4" W x 42 1/4" H 462-593 lbs.
<b>Max. Shipping Dimensions &amp; Weight (on pallet)</b>	63" L x 47" W x 48" H 400 lbs.	60" L x 90" W x 48" H 590 lbs.	60" L x 90" W x 48" H 700 lbs.
<b>Filters: MERV 8: 20" x 20" x 2"</b>	Total qty. 4	Total qty. 6	Total qty. 8

## AIRFLOW PERFORMANCE

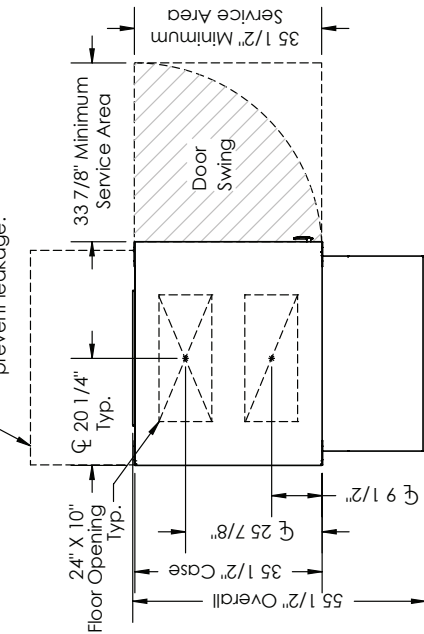


## CORE PERFORMANCE

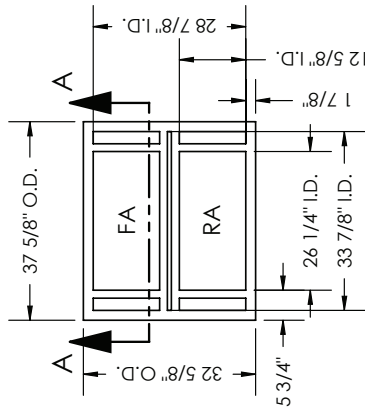


At AHRI 1060 standard conditions.  
See all AHRI certified ratings at [www.ahrinet.org](http://www.ahrinet.org).

Alternate Hood Location, if hood location switched, plug existing mounting holes on opposite side of unit to prevent leakage.

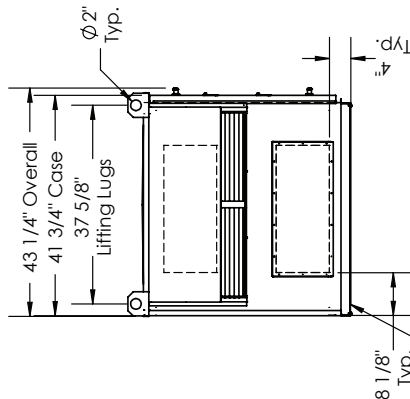


**CURB CA2XRT**



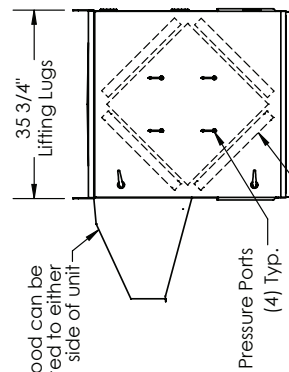
**TOP VIEW**

**TOP VIEW**



**LEFT VIEW**

**AIRFLOW CONFIGURATION**  
Available as shown in dimension drawing.



**FRONT VIEW**

**UNIT MOUNTING & APPLICATION**  
Must be mounted as shown. Duct configuration is field convertible. Weather hood can be moved in the field. RA/EA airstream can be switched with OAVFA airstream.



**ABBREVIATIONS**

- EA: Exhaust Air to outside
- OA: Outside Air Intake
- RA: Room Air to be exhausted
- FA: Fresh Air to inside

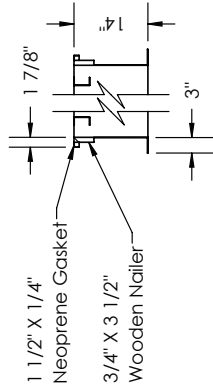
**INSTALLATION ORIENTATION**

Unit must be installed in orientation shown.

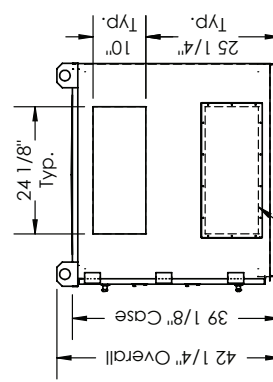
**NOTE**

1. UNLESS OTHERWISE SPECIFIED, DIMENSIONS ARE ROUNDED TO THE NEAREST EIGHTH OF AN INCH.
2. SPECIFICATIONS MAY BE SUBJECT TO CHANGE WITHOUT NOTICE.

**CURB CROSS-SECTION A-A (TYP.)**



**SECTION A-A**



**RIGHT VIEW**

Note: Pleated, disposable 20" X 20" X 2" filters are provided for installation and are interchangeable based on your airflow path requirements. Filters are to be mounted upstream to the core in the direction of airflow entering the unit.