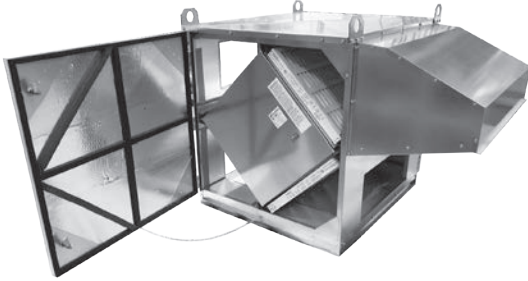


CA OUTDOOR Energy Recovery Module



ROOFTOP UNITS Modular Cabinets



Download specification at:
renewaire.com/specifications

SPECIFICATIONS

Ventilation Type:
Static plate, heat and humidity transfer

Standard Features:
Insulated sheet metal cabinets with energy exchange cores and filters.
Blower not included and must be specified to meet job requirements.

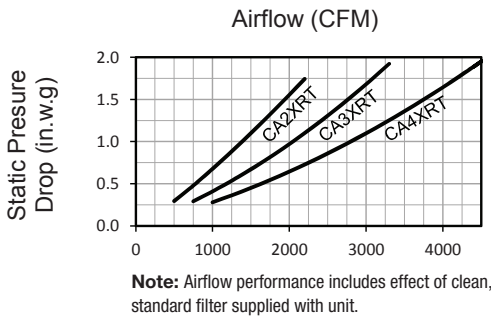
Insulation:
One inch, high density, FSK faced, fiberglass

Options:
Double wall construction
Exterior paint - white, custom colors

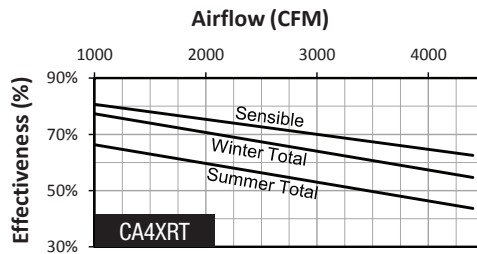
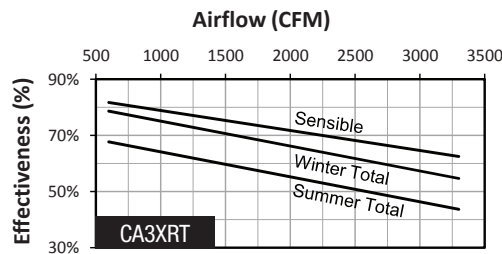
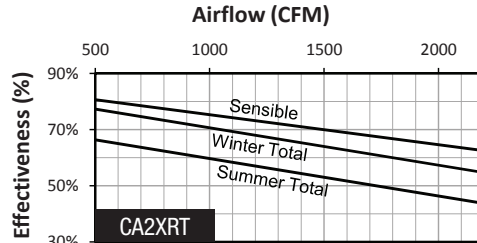
Accessories:
Roof curb - standard 14"
Filters - MERV 13, 2" (shipped loose)

Description	CA2XRT	CA3XRT	CA4XRT
Typical Airflow Range CFM	500-2,200	750-3,300	1,000-4,400
AHRI 1060 Certified Core	Two L125-G5	Three L125-G5	Four L125-G5
Unit Dimensions & Weight	55 1/2" L x 43 1/4" W x 42 1/4" H 250-329 lbs.	55 1/2" L x 63 1/2" W x 42 1/2" H 377-482 lbs.	55 1/2" L x 83 1/4" W x 42 1/4" H 462-593 lbs.
Max. Shipping Dimensions & Weight (on pallet)	63" L x 47" W x 48" H 400 lbs.	60" L x 90" W x 48" H 590 lbs.	60" L x 90" W x 48" H 700 lbs.
Filters: MERV 8: 20" x 20" x 2"	Total qty. 4	Total qty. 6	Total qty. 8

AIRFLOW PERFORMANCE



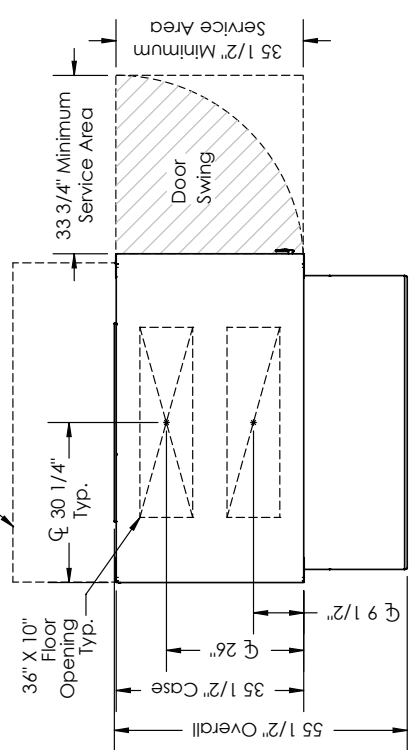
CORE PERFORMANCE



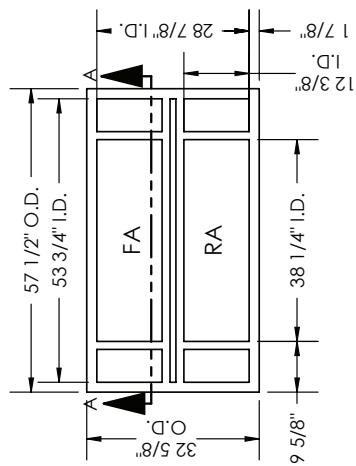
At AHRI 1060 standard conditions.
See all AHRI certified ratings at www.ahrinet.org.

CA3XRT Energy Recovery Module

Alternate Hood Location. If hood location switched, plug existing mounting holes on opposite side of unit to prevent leakage.



CURB CA3XRT



TOP VIEW

ABBREVIATIONS

EA: Exhaust Air to outside
 OA: Outside Air intake
 RA: Room Air to be exhausted
 FA: Fresh Air to inside

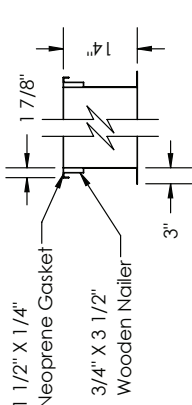
INSTALLATION ORIENTATION

Unit must be installed in orientation shown.

NOTE

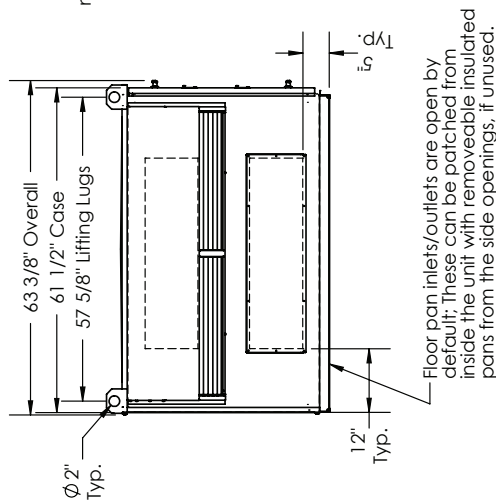
1. UNLESS OTHERWISE SPECIFIED, DIMENSIONS ARE ROUNDED TO THE NEAREST EIGHTH OF AN INCH.
 2. SPECIFICATIONS MAY BE SUBJECT TO CHANGE WITHOUT NOTICE.

CURB CROSS-SECTION A-A (TYP.)

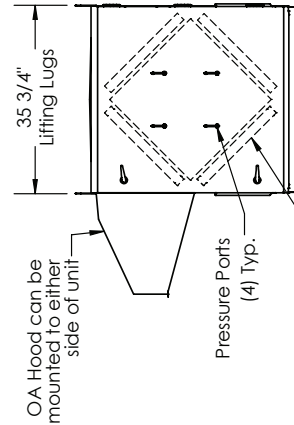


SECTION A-A

TOP VIEW

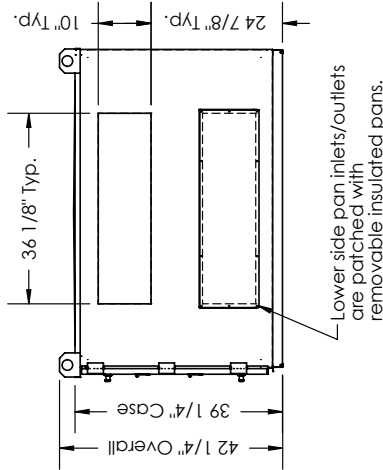


LEFT VIEW



FRONT VIEW

Note: Pleated, disposable 20" X 20" X 2" filters are provided for installation and are interchangeable based on your airflow path requirements. Filters are to be mounted upstream to the core in the direction of airflow entering the unit.



RIGHT VIEW

AIRFLOW CONFIGURATION
 Available as shown in dimension drawing.



UNIT MOUNTING & APPLICATION
 Must be mounted as shown. Duct configuration is field convertible. Weather hood can be moved in the field. RA/EA airstream can be switched with OA/FA airstream.