

DN 5IN

Dedicated Outdoor Air System Standard



INDOOR UNIT
Dedicated Outside Air System Unit with Energy Recovery

NEW



DN3IN, ERV + CC + HGRH + GH (BT) shown

Download specification at:
renewaire.com/specifications

SPECIFICATIONS

Energy Recovery Type:

Static plate total energy transfer

Typical Airflow Range: 1,125-4,950 CFM

AHRI 1060 Certified Core:

One L-62-G5 and four L-125 G5

Standard Features:

- EC Motors for both airstreams
- Direct Drive backward inclined plenum
- Higher ESP of up to 3" w.g. at 4,500 CFM
- Integrated programmable controls
- True 100% Face and bypass enthalpy based modulating economizer
- Class 1 low leakage motorized isolation dampers
- Stainless steel double-sloped drain pan with cooling option
- 1" Double wall foam injected 20 gauge galvanized panel construction with R6.5 insulation

Inlets/Outlets:

- OA & RA Inlets: 60" x 16"
- SA Outlet: 24" x 16"
- EA Outlet: 20" x 32"

Filters:

Total qty. 10, MERV 8:
16" x 20" x 2"

Bypass Filters:

Total qty. 4, MERV 8:
16" x 20" x 2"

Unit Dimensions & Weight for 1" Cabinets

174" L x 103 3/4" W x 88 7/8" H
2600-4850 lbs.

Max. Shipping Dimensions & Weight for 1" Cabinets (on pallet):

180" L x 101 1/2" W x 94" H
2850-5100 lbs.

Unit Dimensions & Weight for 2" Cabinets

176" L x 105 5/8" W x 90 7/8" H
2725-5050 lbs.

Max. Shipping Dimensions & Weight for 2" Cabinets (on pallet):

180" L x 101 1/2" W x 96" H
2975-5300 lbs.

Motor(s):

Qty. 4, Direct drive motorized impeller packages

Options:

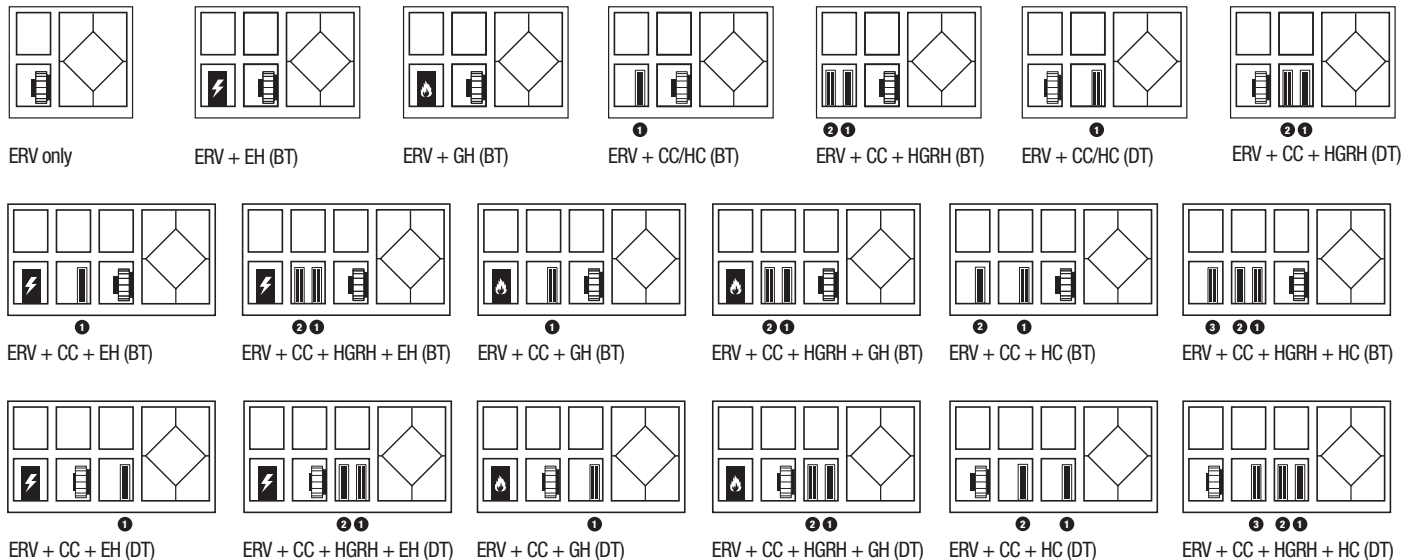
- DX, heat pump, or chilled water cooling coil
- Modulating hot gas reheat
- Steam or hot water coil, gas heat module or electric heater
- Onboard variable frequency drives (VFDs) - both airstreams
- Fused disconnect
- Spring isolators (VFDs only)
- 2" Double wall foam injected 20 gauge galvanized panel construction with R13.0 insulation
- Exterior paint - grey, white, custom color
- BACNET factory activation
- GFCI convenience outlet
- Recirculation damper
- Drain overflow switch
- Electrofin coating for coils

Accessories:

- Filters - MERV 13, 2" and 4" (shipped loose), MERV 14, 2" and 4" (shipped loose)
- Additional filters available upon request
- Duct mounted electric pre-heater (separately powered)
- Carbon dioxide sensor/control - wall mount (CO2-W), duct mount (CO2-D)
- IAQ sensor - wall mount (IAQ-W), duct mount (IAQ-D)
- Motion occupancy sensor/control - ceiling mount (MC-C), wall mount (MC-W)
- Smoke detector
- Room temperature and humidity sensor
- Duct static pressure sensor with display to 10", without display 0-2"
- Room pressure sensor with display to 1", without display 0-1"
- Waterless trap negative pressure
- Waterless trap positive pressure
- Remote display

- ERV** - Energy Recovery Ventilator
- EH** - Electric Heater
- CC** - Cooling Coil
- HC** - Heating Coil
- GH** - Gas Heat Module
- HGRH** - Hot Gas Reheat Coil
- BT** - Blow Thru
- DT** - Draw Thru

INTERNAL OPTIONS FOR HEATING AND COOLING



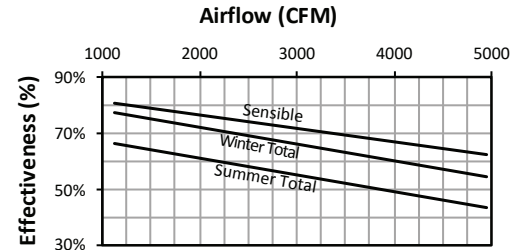
Specifications may be subject to change without notice.

ELECTRICAL DATA

Electrical Specifications							
	Motor Qty/kW or HP	Volts	Frequency	Phase	Min. Cir. Amps.	Max. Overcurrent Protection Device	FLA per motor
EC	4 @ 2.70 kW ea.	200-240	50/60 Hz	Three	36.6	45	8.6-7.2
	4 @ 3.70 kW ea.	380-480	50/60 Hz	Three	25.5	30	6.0-4.6
VFD	4 @ 5HP ea.	208-230	50/60 Hz	Three	59.1	70	13.9-13.4/6.7
	4 @ 5HP ea.	460	50/60 Hz	Three	28.5	35	6.7
	4 @ 5HP ea.	575	50/60 Hz	Three	22.5	25	5.3

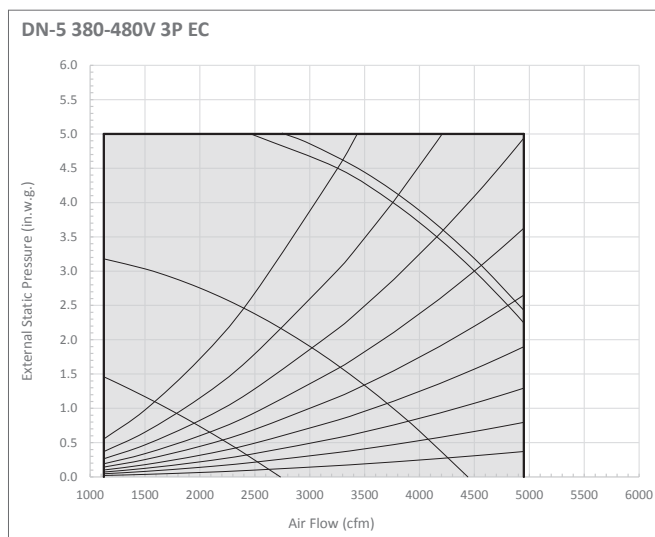
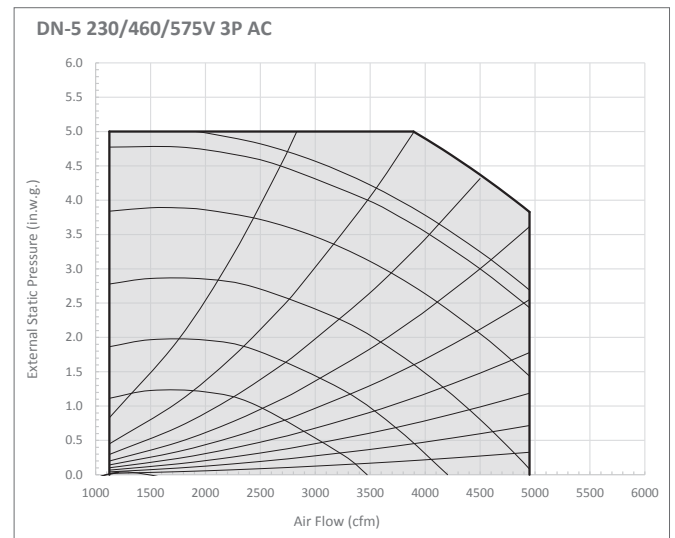
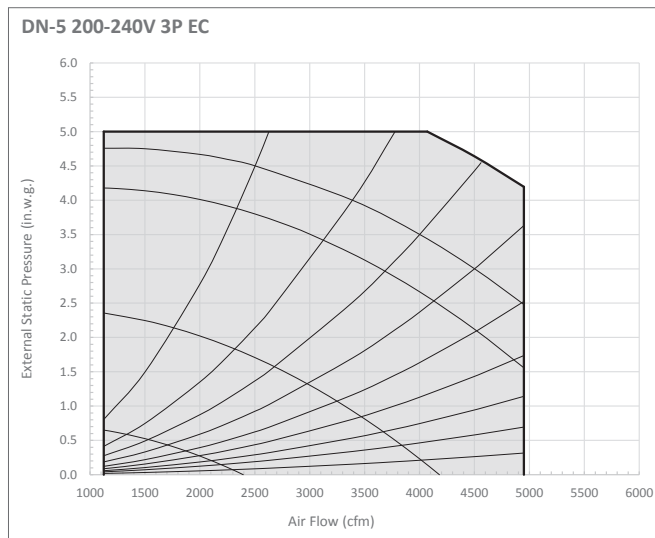
Note: Electrical data shown is for a standard unit without cooling and heating. Refer to cores.renewaire.com for project specific submittal for electrical data for the specific unit with all included options.

CORE PERFORMANCE



At AHRI 1060 standard conditions.
See all AHRI certified ratings at www.ahrinet.org.

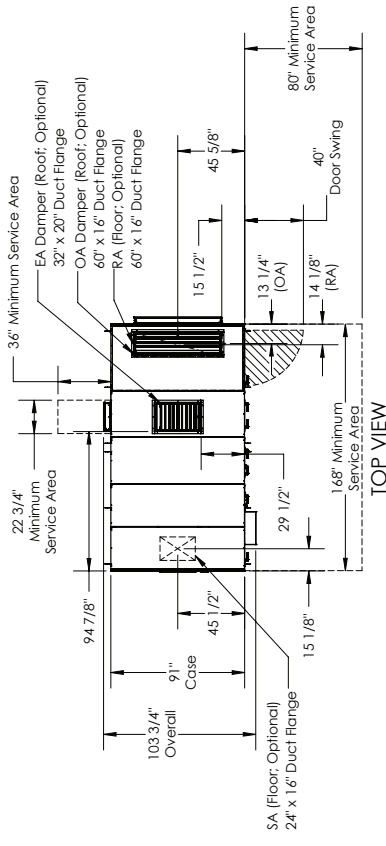
AIRFLOW PERFORMANCE



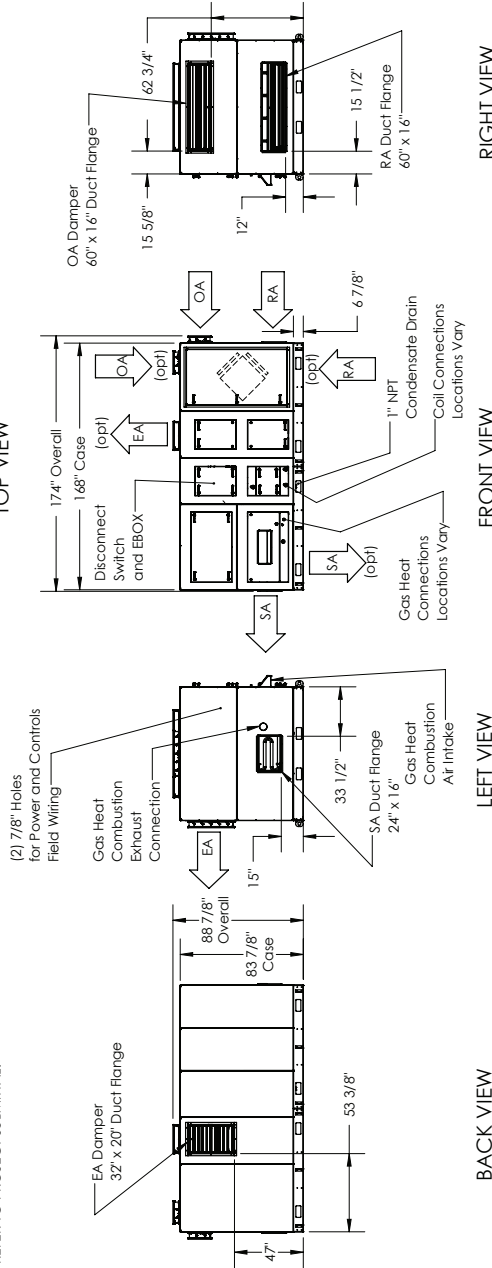
DN-SERIES

DN5IN Dedicated Outdoor Air System Standard 1" Cabinet

Dimension drawings for the DN depict largest cabinet size available.
Refer to CORES.RenewAire.com for project specific unit drawings.



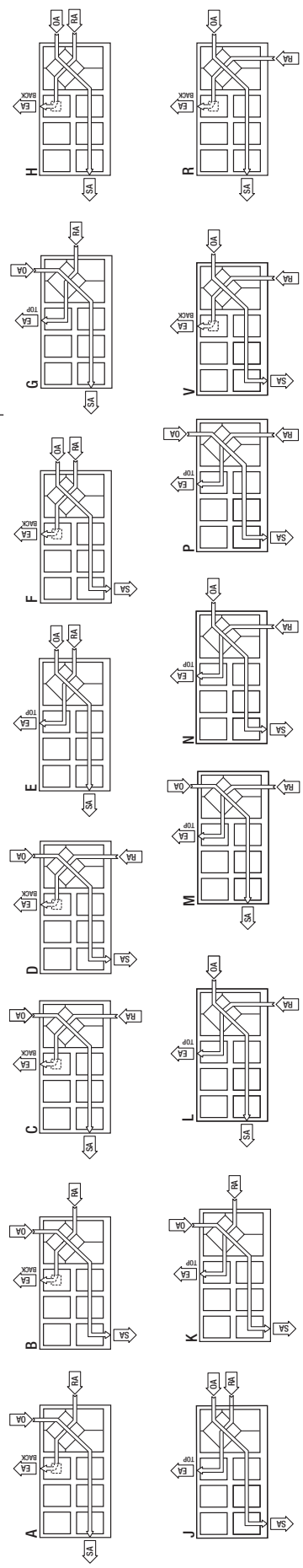
- ABBREVIATIONS**
EA: Exhaust Air to outside
RA: Room Air to be exhausted
SA: Supply Air to inside
- INSTALLATION ORIENTATION**
Unit must be installed in orientation shown.
- NOTE**
1. UNLESS OTHERWISE SPECIFIED, DIMENSIONS ARE ROUNDED TO THE NEAREST EIGHTH OF AN INCH.
2. SPECIFICATIONS MAY BE SUBJECT TO CHANGE WITHOUT NOTICE.
3. FOR PIPE CONNECTION DETAILS REFER TO CORES OR UNIT SELECTION SUBMITTAL.
4. UNIT, UNIT DOORS, AND COILS CANNOT BE MIRRORRED.
5. FOR PROJECT SPECIFIC DRAWINGS REFER TO PROJECT SUBMITTAL.



UNIT MOUNTING & APPLICATION
Must be mounted as shown. Airstreams can not be switched. Duct configuration is field convertible.



AIRFLOW CONFIGURATION
Available as shown:



DN5IN Dedicated Outdoor Air System Standard 2" Cabinet

ABBREVIATIONS
 EA: Exhaust Air to outside
 OA: Outside Air Intake
 RA: Room Air to be exhausted
 SA: Supply Air to inside

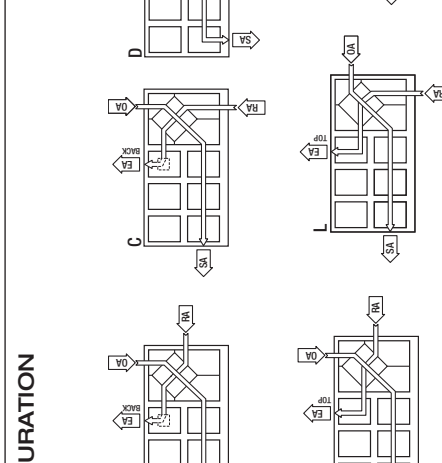
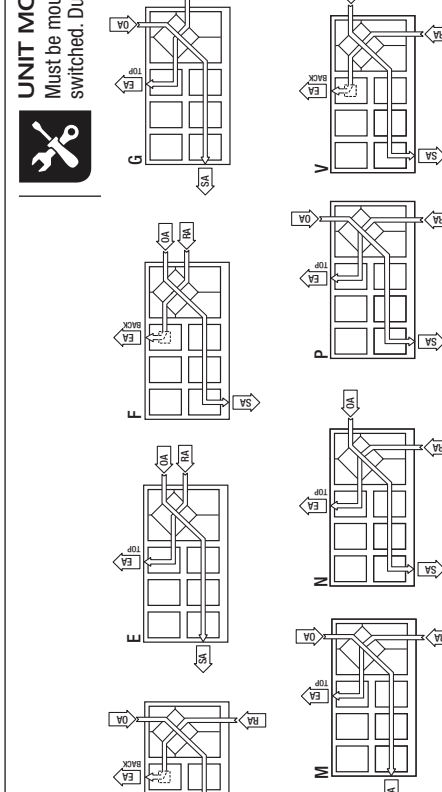
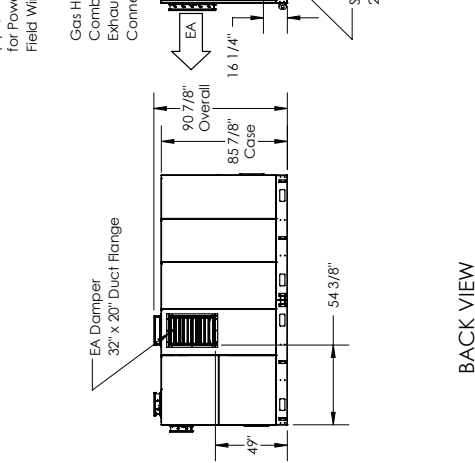
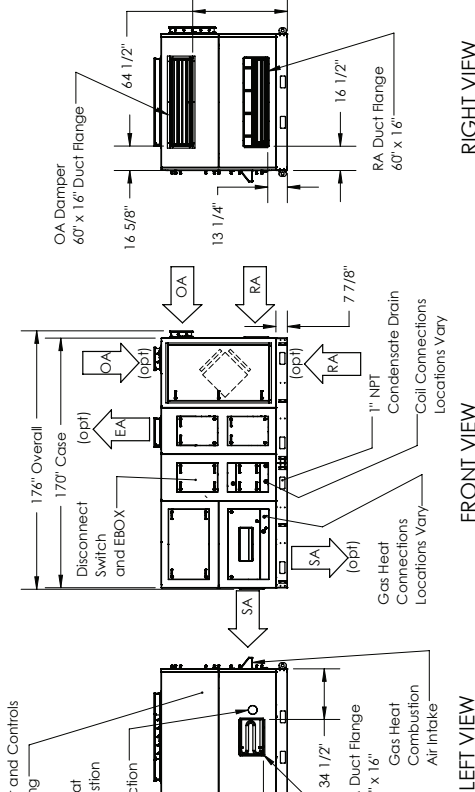
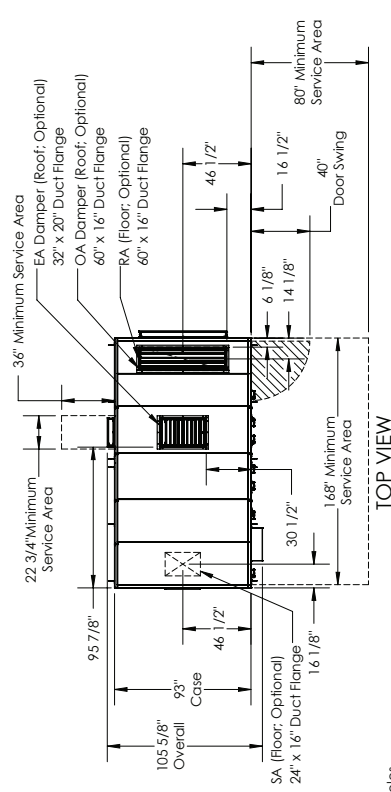
INSTALLATION ORIENTATION
 Unit must be installed in orientation shown.

NOTE
 1. UNLESS OTHERWISE SPECIFIED, DIMENSIONS ARE ROUNDED TO THE NEAREST EIGHTH OF AN INCH.
 2. SPECIFICATIONS MAY BE SUBJECT TO CHANGE WITHOUT NOTICE.

3. FOR PIPE CONNECTION DETAILS REFER TO CORES OR UNIT SELECTION SUBMITTAL.

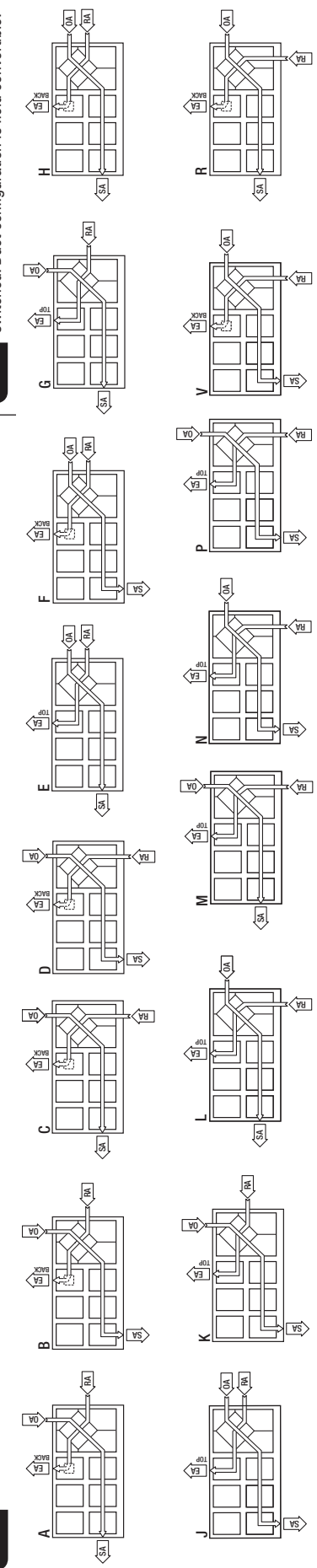
4. UNIT, UNIT DOORS, AND COILS CANNOT BE MIRRORRED.

5. FOR PROJECT SPECIFIC DRAWINGS REFER TO PROJECT SUBMITTAL.



AIRFLOW CONFIGURATION

Available as shown:



UNIT MOUNTING & APPLICATION
 Must be mounted as shown. Airstreams can not be switched. Duct configuration is field convertible.

