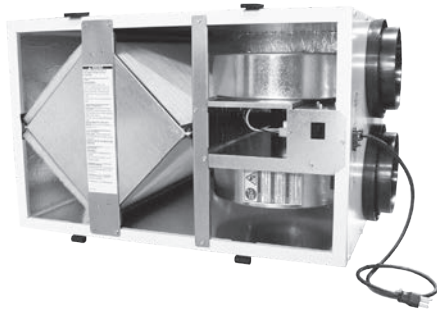


# EV 130

INDOOR UNIT

## Energy Recovery Ventilator Standard



Download specification at:  
[renewaire.com/specifications](http://renewaire.com/specifications)

### SPECIFICATIONS

**Ventilation Type:**  
Static plate, heat and humidity transfer

**Typical Airflow Range:** 50-140 CFM

**Unit is HVI Tested/Certified per CSA C439 Protocol:** Using one L-50 G5 Core

**Standard Features:**  
White painted cabinet  
Line-cord power supply  
Low-voltage circuit for controls  
Unit may be mounted in any orientation  
Cross-core differential pressure ports

**Controls:**  
Onboard 24 VAC transformer/relay package with switched dry contacts

**Filters:**  
Total qty. 2, MERV 8, spun-polyester media:  
10 1/2" x 10 1/2" x 1"

**Unit Dimensions & Weight:**  
33 1/2" L x 13 1/4" W x 20" H  
48 lbs.

**Max. Shipping Dimensions & Weight (in carton):**  
32" L x 22" W x 18" H  
60 lbs.

**Motor(s):**  
Qty. 1, Double-shaft standard motor

**Accessories:**  
Backdraft damper 6"  
Wall cap 6" - white, brown  
Percentage timer control (PTL)  
Push-button point-of-use controls (PBL), PTL req'd.  
Percentage timer control with furnace interlock (FM)  
Electric duct heater - RH series (1-11.5 kW);  
designed for indoor ductwork installation only

**Note:** Indirect Gas-Fired Duct Furnace is not available on the EV130.

### ELECTRICAL DATA

HP	Volts	HZ	Phase	Input Watts	FLA
0.1	120	60	Single	102 @ 130 CFM	1.3

### UNIT PERFORMANCE

Airflow CFM	ESP in H <sub>2</sub> O
79	0.60
104	0.50
126	0.40
137	0.30
153	0.20
165	0.10

### CORE PERFORMANCE

Temp EFF%	Total EFF% Winter/Summer*
78	73/60
75	69/55
72	66/50
71	64/48
68	61/45
67	59/43

\* See HVI certification ratings on page 24 of RenewAire's Single/Multi-Family Catalog.

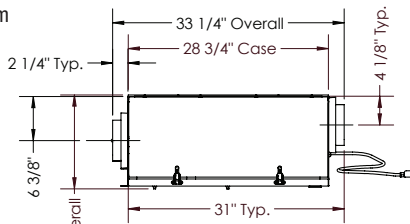
### UNIT DIMENSIONS



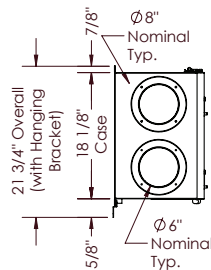
**AIRFLOW CONFIGURATION**  
Available as shown in dimension drawing.



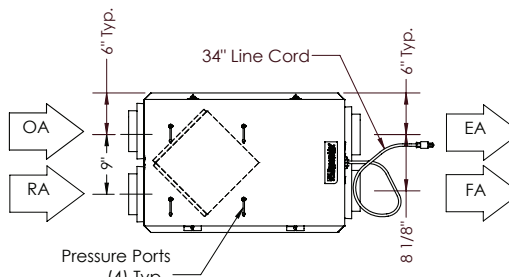
**UNIT MOUNTING & APPLICATION**  
Can be mounted in any orientation. RA/EA airstream can be switched with OA/FA airstream.



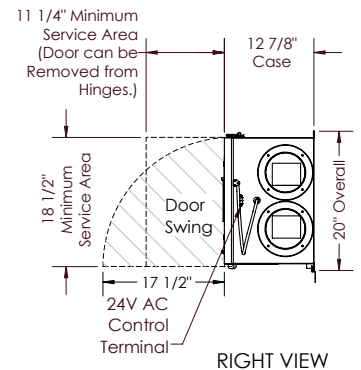
TOP VIEW



LEFT VIEW



FRONT VIEW



RIGHT VIEW

**ABBREVIATIONS**  
EA: Exhaust Air to outside  
OA: Outside Air Intake  
RA: Room Air to be exhausted  
FA: Fresh Air to inside

**INSTALLATION ORIENTATION**  
Unit may be installed in any orientation.

**NOTE**  
1. UNLESS OTHERWISE SPECIFIED, DIMENSIONS ARE ROUNDED TO THE NEAREST EIGHTH OF AN INCH.  
2. SPECIFICATIONS MAY BE SUBJECT TO CHANGE WITHOUT NOTICE.

Specifications may be subject to change without notice.