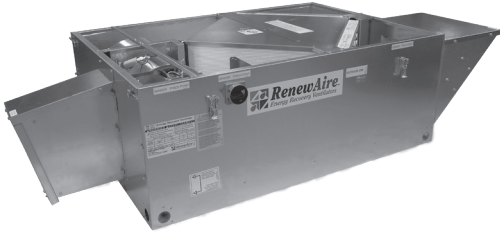


EV 450RT

ROOFTOP UNIT



Download specification at:
renewaire.com/specifications

Energy Recovery Ventilator EC Motor Option



SPECIFICATIONS

Ventilation Type:

Static plate, heat and humidity transfer

Typical Airflow Range: 200-510 CFM

AHRI 1060 Certified Core: One L85-G5

Standard Features:

Non-fused disconnect
 24 VAC transformer/relay package

Filters:

Total qty. 2, MERV 8: 14" x 20" x 2"

Unit Dimensions & Weight:

75" L x 36 1/2" W x 19 1/4" H
 187-246 lbs., varies by option(s)

Max. Shipping Dimensions & Weight (on pallet):

96" L x 47" W x 25" H
 350 lbs.

Motor(s):

Qty. 1, 0.5 HP, Direct drive EC blower/
 motor package

Options:

Fused disconnect
 Integrated programmable controls -
 enhanced, premium
 Qty. 2, Factory mounted filter alarms -
 both airstreams
 Double wall construction
 Exterior paint - white, custom colors

Accessories:

Filters - MERV 13, 2" (shipped loose)
 Potentiometer speed control - remote installed
 RA/FA Horizontal plenum box
 - RTC/RTH configuration
 RA/FA Vertical and horizontal plenum box
 - RTR/RTF configuration
 Rooftop adapter transition paint - white,
 custom colors
 Roof curb - standard 14"
 Curb wind clip
 Engineered combo curb for Trane RTU
 Engineered combo curb for Carrier RTU
 Digital time clock - wall mount (TC7D-W),
 in exterior enclosure (TC7D-E)
 Carbon dioxide sensor/control -
 wall mount (CO2-W), duct mount (CO2-D)
 IAQ sensor - wall mount (IAQ-W),
 duct mount (IAQ-D)
 Motion occupancy sensor/control -
 ceiling mount (MC-C), wall mount (MC-W)
 Smoke Detector - duct mount (SD-D)
 Electric duct heater - EK series (1-175 kW);
 designed for indoor ductwork installation only

Note: Indirect Gas-Fired Duct Furnace is not available on the EV450RT.

EC MOTOR OPTION OPERATING RANGE

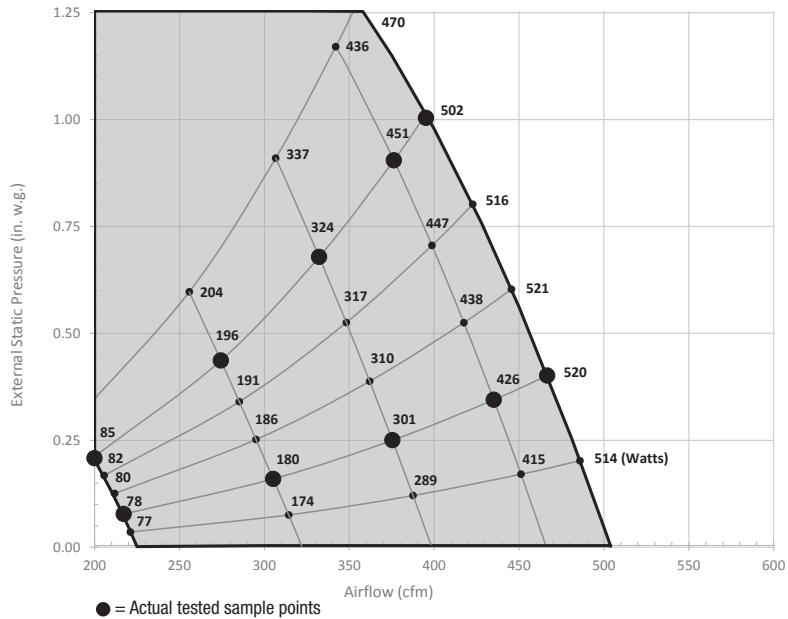
EV450RT EC MOTOR		
Sample Points Depicted in Larger Dots		
Airflow (CFM)	External Static Pressure (Inches Water Column)	Unit Power Consumption (Watts)
217	0.07	78
305	0.16	180
375	0.25	301
435	0.34	426
467	0.40	520
200	0.20	85
274	0.43	196
332	0.67	324
376	0.90	451
395	1.00	502

Note: Watts is for the entire unit.

Note: Airflow performance includes effect of clean, standard filter supplied with unit.

ELECTRICAL DATA

HP	Volts	HZ	Phase	FLA	Min. Cir. Amps	Max. Overcurrent Protection Device
0.5	120	60	Single	8.1	10.1	15
0.5	208-230	60	Single	4.8	6.0	15

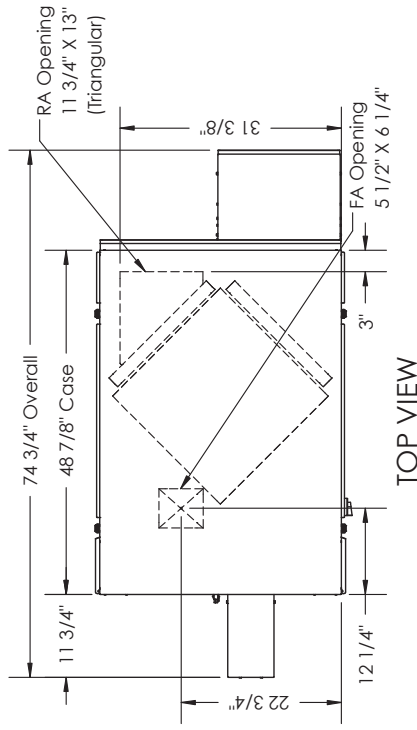


EV450RT Energy Recovery Ventilator EC Motor Option

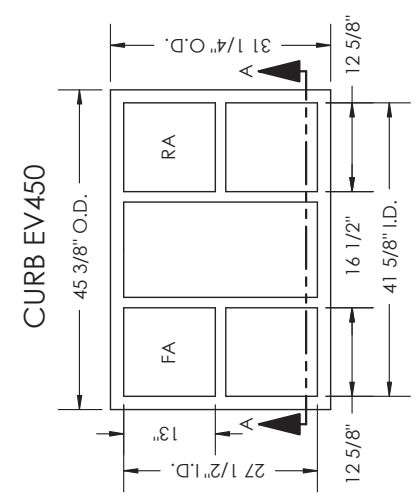
ABBREVIATION
 EA: Exhaust Air to outside
 OA: Outside Air Intake
 RA: Room Air to be exhausted
 FA: Fresh Air to inside

INSTALLATION ORIENTATION
 Unit must be installed in orientation shown.

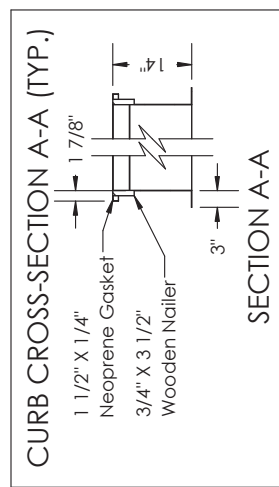
NOTE:
 1. UNLESS OTHERWISE SPECIFIED, DIMENSIONS ARE ROUNDED TO THE NEAREST EIGHTH OF AN INCH.
 2. SPECIFICATIONS MAY BE SUBJECT TO CHANGE WITHOUT NOTICE.



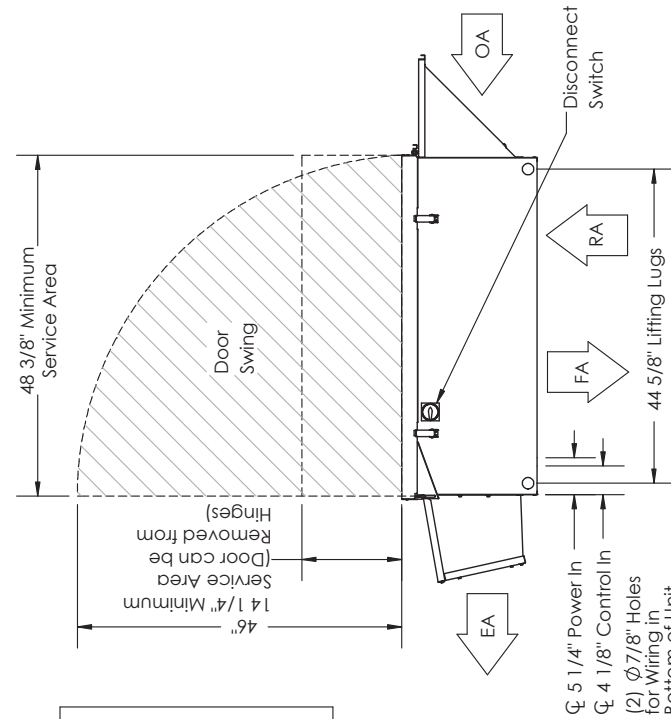
TOP VIEW



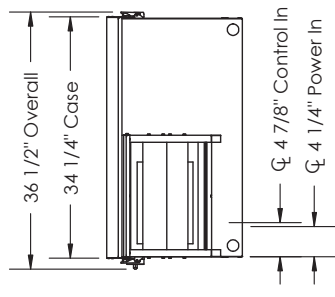
TOP VIEW



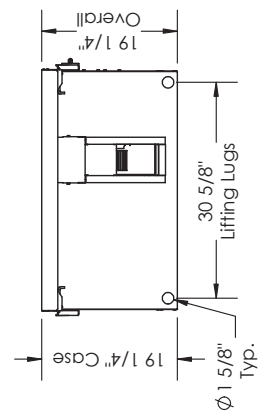
SECTION A-A



FRONT VIEW



RIGHT VIEW



LEFT VIEW

AIRFLOW CONFIGURATION
 Available as shown in dimension drawing.

UNIT MOUNTING & APPLICATION
 Must be mounted as shown. Airstreams can not be switched. Rooftop adaptor accessories can be used to provide RTR and RTF (45RTRF) or RTH and RTC (45RTH) airflow.



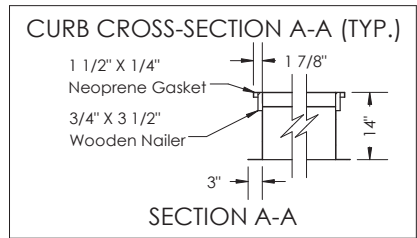
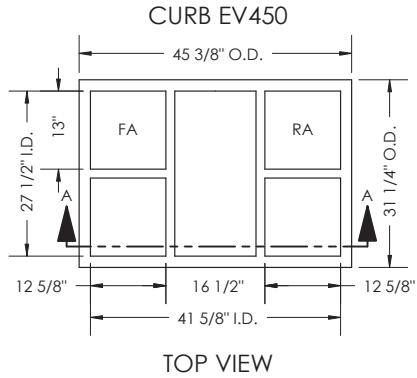
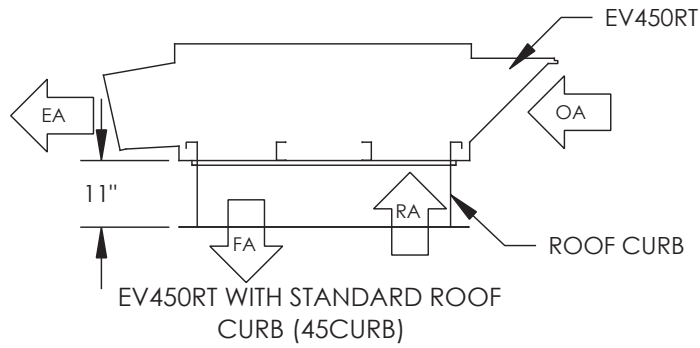
EV 450RT

Energy Recovery Ventilator
Standard or EC Motor Option

DUCTING ACCESSORIES

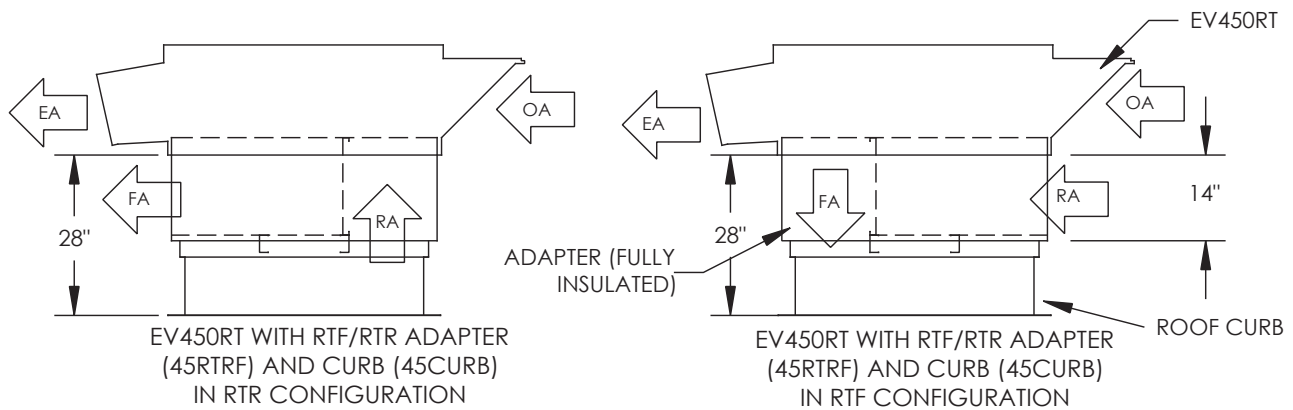
Rooftop Curb (45Curb)

Standard roof curb shown (available option).



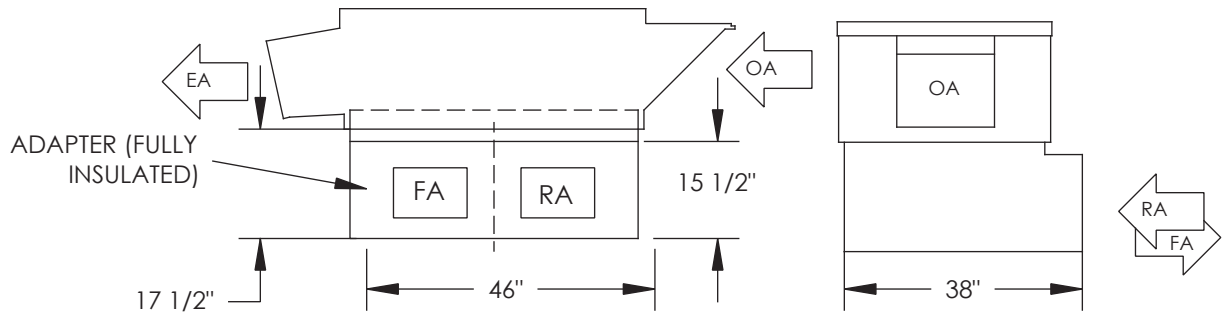
Rooftop Adapter for RTR and RTF Orientations

For horizontal connection of either the Fresh Air duct or the Return Air duct, stack the optional RTF/RTR Adapter on the standard roof curb. Duct openings to be field cut into adapter. Opening location and size is flexible.



Rooftop Adapter for RTC and RTH Orientations

The RTH/RTC Adapter allows horizontal connection of both the Fresh Air and the Return Air ducts. It is also possible to connect the adapter directly to the return plenum of most rooftop units (openings must be cut into RTU). Duct openings to be field cut into adapter. Opening location and size is flexible.



EV450RT WITH ADAPTER (45RTCH)

ABBREVIATIONS

- EA:** Exhaust Air to outdoors
- OA:** Outdoor Air intake
- RA:** Room Air to be exhausted
- FA:** Fresh Air to inside