

# EV 90

INDOOR UNIT



Download specification at:  
renewaire.com/specifications

## Energy Recovery Ventilator Standard



### SPECIFICATIONS

**Ventilation Type:**  
Static plate, heat and humidity transfer

**Typical Airflow Range:** 40-110 CFM

**Unit is HVI Tested/Certified per CSA C439  
Protocol:** Using one L-35 G5 Core

**Standard Features:**  
White painted cabinet  
Line-cord power supply  
Low-voltage circuit for controls  
Unit may be mounted in any orientation  
Cross-core differential pressure ports

**Control:**  
Onboard 24 VAC transformer/relay package  
with switched dry contacts

**Filters:**  
Total qty. 2, MERV 8, spun-polyester media:  
9 5/8" x 10 1/2" x 1"

**Unit Dimensions & Weight:**  
22 1/2" L x 11 3/4" W x 23 3/4" H  
36 lbs.

**Max. Shipping Dimensions & Weight (in carton):**  
29" L x 22" W x 15" H  
40 lbs.

**Motor(s):**  
Qty. 2, Standard motorized impeller blowers

**Accessories:**  
Backdraft damper 6"  
Wall cap 6" - white, brown  
Percentage timer control (PTL)  
Push-button point-of-use controls (PBL), PTL req'd.  
Percentage timer control with furnace interlock (FM)  
Electric duct heater - RH series (1-11.5 kW);  
designed for indoor ductwork installation only

### ELECTRICAL DATA

HP	Volts	HZ	Phase	Input Watts	FLA
0.03	120	60	Single	46 @ 90 CFM	0.35

**Note:** Indirect Gas-Fired Duct Furnace is not available on the EV90.

### UNIT PERFORMANCE

Airflow CFM	ESP in H <sub>2</sub> O
40	0.60
58	0.50
73	0.40
85	0.30
98	0.20
113	0.10

### CORE PERFORMANCE

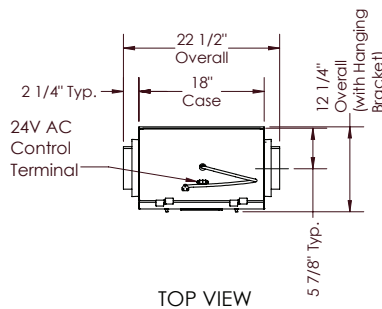
Temp EFF%	Total EFF% Winter/Summer*
84	74/56
80	69/50
77	65/46
74	62/43
71	59/39
68	56/34

\* See HVI certification ratings on page 24 of RenewAire's Single/Multi-Family Catalog.

### UNIT DIMENSIONS

**AIRFLOW CONFIGURATION**  
Available as shown in dimension drawing.

**UNIT MOUNTING & APPLICATION**  
Can be mounted in any orientation. RA/EA airstream  
can be switched with OA/FA airstream.

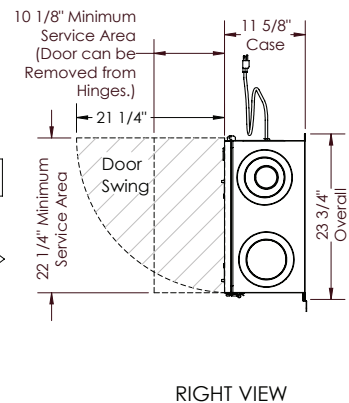
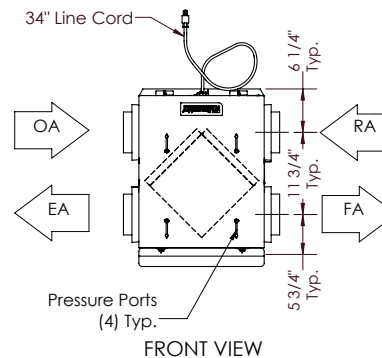
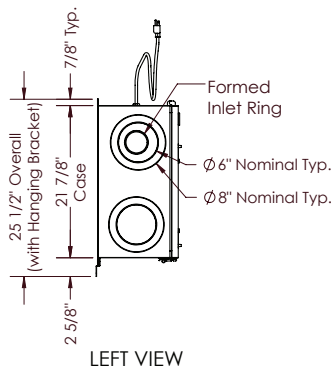


**ABBREVIATIONS**  
EA: Exhaust Air to outside  
OA: Outside Air intake  
RA: Room Air to be exhausted  
FA: Fresh Air to inside

**INSTALLATION ORIENTATION**  
Unit may be installed in any orientation.

**NOTE**  
1. UNLESS OTHERWISE SPECIFIED, DIMENSIONS ARE ROUNDED TO THE NEAREST EIGHTH OF AN INCH.

2. SPECIFICATIONS MAY BE SUBJECT TO CHANGE WITHOUT NOTICE.



Specifications may be subject to change without notice.