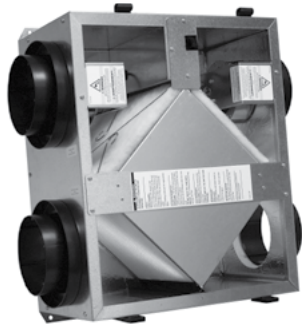


GR 90

INDOOR UNIT



Download specification at:
renewaire.com/specifications

Energy Recovery Ventilator Standard



SPECIFICATIONS

Ventilation Type:
Static plate, heat and humidity transfer

Typical Airflow Range: 40-110 CFM

Unit is HVI Tested/Certified per CSA C439
Protocol: Using one L-35 G5 Core

Standard Features:
Galvanized cabinet
Terminal strip hard wiring in ebox (no line cord)
Unit may be mounted in any orientation
Cross-core differential pressure ports

Control:
Can use any switched line-voltage power supply
(no low-voltage controls)

Filters:
Total qty. 2, MERV 8, spun-polyester media:
9 5/8" x 10 1/2" x 1"

Unit Dimensions: & Weight
22 1/2" L x 11 3/4" W x 23 3/4" H
36 lbs.

Max. Shipping Dimensions & Weight (in carton):
29" L x 22" W x 15" H
40 lbs.

Motor(s):
Qty. 2, Standard motorized impeller blowers

Accessories:
Backdraft damper 6", 8"
Automatic balancing damper 4", 5", 6"
Louvered wall vent 6" - white, brown
120V line voltage Honeywell control
MERV 13 filter - OA airstream
Electric duct heater - RH series (1-11.5 kW);
designed for indoor ductwork installation only

Note: Indirect Gas-Fired Duct Furnace is not available on the GR90.

ELECTRICAL DATA

HP	Volts	HZ	Phase	Input Watts	FLA
0.03	120	60	Single	46 @ 90 CFM	0.35

UNIT PERFORMANCE

Airflow CFM	ESP in H ₂ O
36	0.60
52	0.50
67	0.40
81	0.30
94	0.20
108	0.10

CORE PERFORMANCE

Airflow CFM	Temp EFF%	Total EFF% Winter/Summer*
36	78	75/65
52	74	69/58
67	70	65/53
81	67	61/49
94	64	58/45
108	61	55/42

Note: These are core-only ratings and are not HVI certified.
HVI ratings apply to complete units only.
See HVI certification ratings on pg. 24 of Single/Multi-Family Catalog.

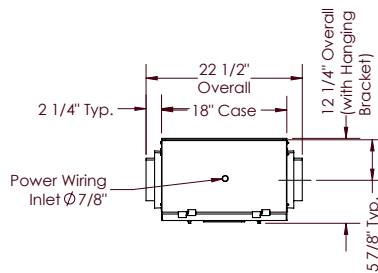
UNIT DIMENSIONS



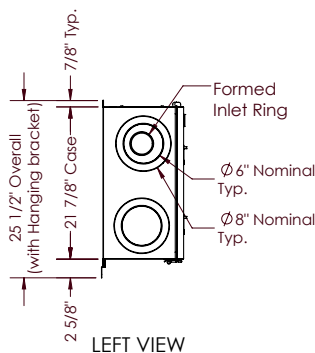
AIRFLOW ORIENTATION
Available as shown in dimension drawing.



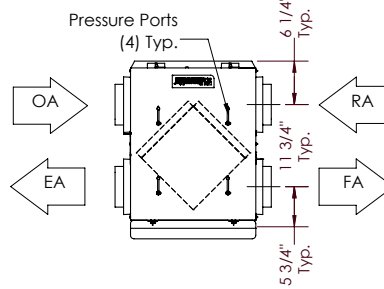
UNIT MOUNTING & APPLICATION
Can be mounted in any orientation. RA/EA airstream
can be switched with OA/FA airstream.



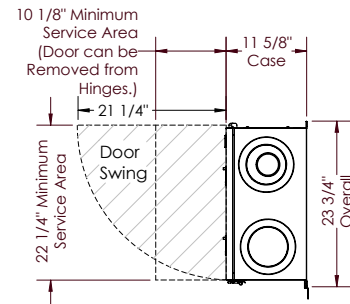
TOP VIEW



LEFT VIEW



FRONT VIEW



RIGHT VIEW

ABBREVIATIONS

EA: Exhaust Air to outside
OA: Outside Air Intake
RA: Room Air to be exhausted
FA: Fresh Air to inside

INSTALLATION ORIENTATION
Unit may be installed in any orientation.

NOTE
1. UNLESS OTHERWISE SPECIFIED, DIMENSIONS ARE ROUNDED TO THE NEAREST EIGHTH OF AN INCH.
2. SPECIFICATIONS MAY BE SUBJECT TO CHANGE WITHOUT NOTICE.

Specifications may be subject to change without notice.