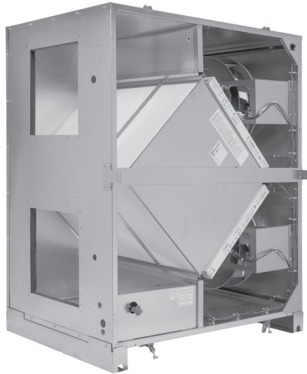


# HE 1.5XINH

## Energy Recovery Ventilator Standard with Bypass Economizer



INDOOR UNIT



Download specification at:  
[renewaire.com/specifications](http://renewaire.com/specifications)

SPECIFICATIONS

**Ventilation Type:**  
Static plate, heat and humidity transfer

**Typical Airflow Range:**  
375–1,575 CFM

**AHRI 1060 Certified Core:**  
One L62-G5 and one L125-G5

**Standard Features:**  
Non-fused disconnect  
24 VAC transformer/relay package  
Cross-core differential pressure ports

**Filters:**  
Total Qty. 4, MERV 8: (2) 14" x 20" x 2" and  
(2) 16" x 20" x 2"

**Unit Dimensions & Weight:**  
48 3/4" L x 34 1/2" W x 53 3/4" H  
337-504 lbs., varies by option(s)

**Max. Shipping Dimensions & Weight (on pallet):**  
70" L x 47" W x 53" H  
571 lbs.

**Motor(s):**  
Qty. 2, 1.0 HP ea., Direct drive standard motorized  
impeller packages

**Options:**  
Qty. 2, Variable Speed/ECM - Direct drive motors  
(see HE1.5XINH EC Motor submittal) -  
1.0 HP 120V/1Ph/60HZ,  
1.0 HP 208-230V/1Ph/60HZ  
Independent blower control  
Fused disconnect  
Integrated programmable controls -  
enhanced, premium  
Bypass economizer damper  
(see bypass DIM drawing) -  
dry-bulb temperature controls (standard),  
enthalpy controls (option)  
Class 1 low leakage motorized isolation dampers -  
FA, EA or both airstreams  
Gravity backdraft dampers  
Qty. 2, Factory mounted filter alarms -  
both airstreams  
Double wall construction  
Exterior paint - white, custom colors

**Accessories:**  
Filters - MERV 13, 2" (shipped loose)  
Backdraft damper - OA or EA  
Digital time clock - wall mount (TC7D-W),  
in exterior enclosure (TC7D-E)  
Carbon dioxide sensor/control -  
wall mount (CO2-W), duct mount (CO2-D)  
IAQ sensor - wall mount (IAQ-W),  
duct mount (IAQ-D)  
Motion occupancy sensor/control -  
ceiling mount (MC-C), wall mount (MC-W)  
Smoke Detector - duct mount (SD-D)  
Electric duct heater - EK series (1–175 kW)  
Indirect gas-fired duct furnace - GH series  
(50–400 MBH), installed downstream of any fans

AIRFLOW PERFORMANCE

Motor HP Phase	External Static Pressure (Inches Water Column)						
	0.0	0.25	0.50	0.75	1.00	1.25	1.50
1.0 Single Phase	1,575 CFM 1,545 Watts	1,470 CFM 1,525 Watts	1,350 CFM 1,500 Watts	1,225 CFM 1,475 Watts	1,090 CFM 1,435 Watts	950 CFM 1,380 Watts	795 CFM 1,300 Watts
1.0 Three Phase	1,675 CFM 1,410 Watts	1,570 CFM 1,400 Watts	1,435 CFM 1,380 Watts	1,280 CFM 1,340 Watts	1,115 CFM 1,280 Watts	940 CFM 1,210 Watts	760 CFM 1,135 Watts

**Note:** Watts is for the entire unit (2 motors).  
**Note:** Airflow performance includes effect of clean, standard filter supplied with unit.

ELECTRICAL DATA

HP	V	HZ	Phase	FLA per motor	Min. Cir. Amps	Max. Overcurrent Protection Device
1.0	120	60	Single	6.5	14.6	20
1.0	208-230	60	Single	3.3-3.4	7.7	15
1.0	277	60	Single	2.7	6.1	15
1.0	208-230	60	Three	2.2-2.2	5.0	15
1.0	460	60	Three	1.1	2.5	15

Specifications may be subject to change without notice.

# HE1.5XINH Energy Recovery Ventilator Standard with Bypass Economizer

## ABBREVIATIONS

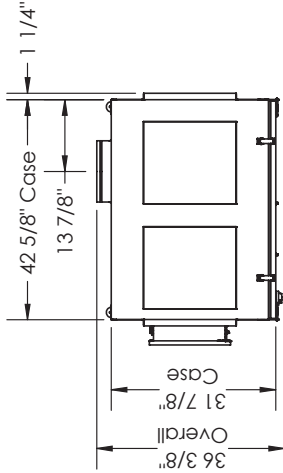
- EA: Exhaust Air to outside
- OA: Outside Air Intake
- RA: Room Air to be exhausted
- FA: Fresh Air to inside
- BP: Bypass Air outlet

## INSTALLATION ORIENTATION

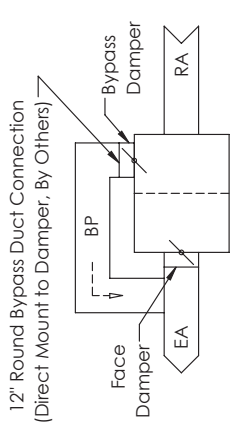
Unit may be installed in any orientation.

## NOTE

1. UNLESS OTHERWISE SPECIFIED, DIMENSIONS ARE ROUNDED TO THE NEAREST EIGHTH OF AN INCH.
2. SPECIFICATIONS MAY BE SUBJECT TO CHANGE WITHOUT NOTICE.
3. MIN. DUCT CLEARANCE FROM DAMPER BLADE WHEN FULLY OPENED TO BE 2". SMAGNA RULES APPLY.
4. UNITS WITH BYPASS WILL REQUIRE ADDITIONAL SPACE FOR THE CONNECTION OF THE BYPASS DUCT (BY OTHERS).
5. FOR INSTALLATION DETAILS, REFER TO I&O MANUAL SUPPLEMENT FOR BYPASS.

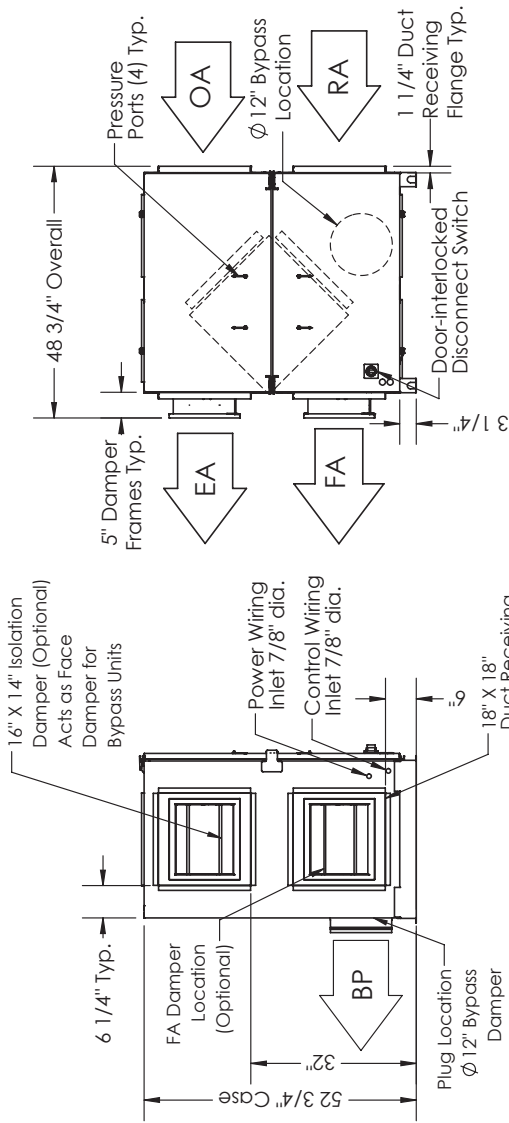


TOP VIEW

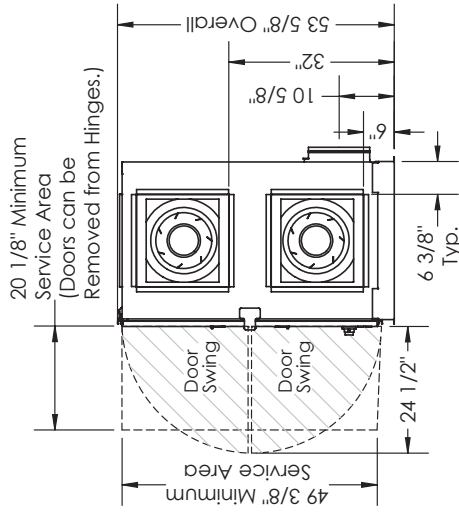


BYPASS AIRFLOW SCHEMATIC TOP VIEW

(OA/FA Airstream Not Shown)



FRONT VIEW



RIGHT VIEW

## AIRFLOW CONFIGURATION

Available as shown in dimension drawing.



## UNIT MOUNTING & APPLICATION

Can be mounted in any orientation. Airstreams can not be switched.