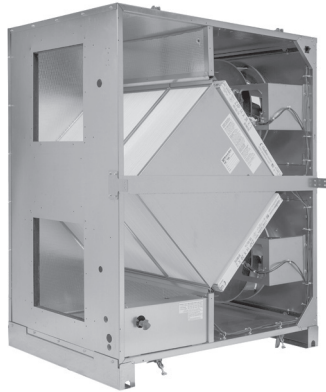


HE 1.5XINH

INDOOR UNIT



Download specification at:
renewaire.com/specifications

Energy Recovery Ventilator EC Motor with Bypass Economizer



SPECIFICATIONS

- Ventilation Type:**
Static plate, heat and humidity transfer

- Typical Airflow Range:** 375-1,575 CFM

- AHRI 1060 Certified Core:**
One L62-G5 and one L125-G5

- Standard Features:**
Non-fused disconnect
24 VAC transformer/relay package
Cross-core differential pressure ports

- Filters:**
Total qty. 4, MERV 8: (2) 14" x 20" x 2" and
(2) 16" x 20" x 2"

- Unit Dimensions & Weight:**
48 3/4" L x 34 1/2" W x 53 3/4" H
336-504 lbs., varies by option(s)

- Max. Shipping Dimensions & Weight (on pallet):**
70" L x 47" W x 53" H
571 lbs.

- Motor(s):**
Qty. 2, 1.0 HP ea., Direct drive EC motorized
impeller packages

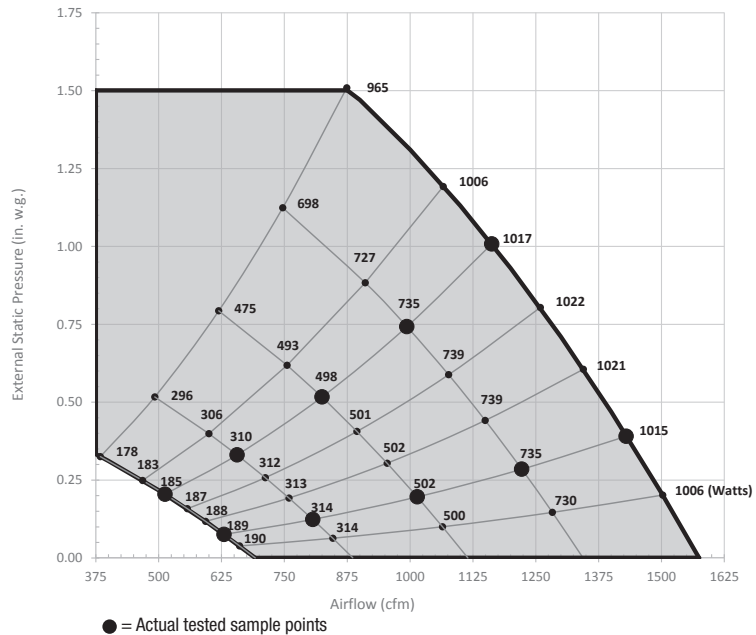
- Options:**
Fused disconnect
Integrated programmable controls - enhanced, premium
Bypass economizer damper (see bypass DIM drawing) - dry-bulb temperature controls (standard), enthalpy controls (option)
Class 1 low leakage motorized isolation dampers - FA, EA or both airstreams
Gravity backdraft dampers
Qty. 2, Factory mounted filter alarms - both airstreams
Double wall construction
Exterior paint - white, custom colors

- Accessories:**
Filters - MERV 13, 2" (shipped loose)
Backdraft damper - OA or EA
Potentiometer speed control - remote installed
Digital time clock - wall mount (TC7D-W), in exterior enclosure (TC7D-E)
Carbon dioxide sensor/control - wall mount (CO2-W), duct mount (CO2-D)
IAQ sensor - wall mount (IAQ-W), duct mount (IAQ-D)
Motion occupancy sensor/control - ceiling mount (MC-C), wall mount (MC-W)
Smoke Detector - duct mount (SD-D)
Electric duct heater - EK series (1-175 kW)
Indirect gas-fired duct furnace - GH series (50-400 MBH), installed downstream of any fans

EC MOTOR OPTION OPERATING RANGE

HE1.5XINH EC MOTOR		
Sample Points Depicted in Larger Dots		
Airflow (CFM)	External Static Pressure (Inches Water Column)	Unit Power Consumption (Watts)
630	0.07	189
807	0.12	314
1014	0.20	502
1222	0.28	735
1430	0.39	1015
513	0.20	185
656	0.33	310
825	0.52	498
994	0.74	735
1163	1.01	1017

Note: Watts is for the entire unit.
Note: Airflow performance includes effect of clean, standard filter supplied with unit.



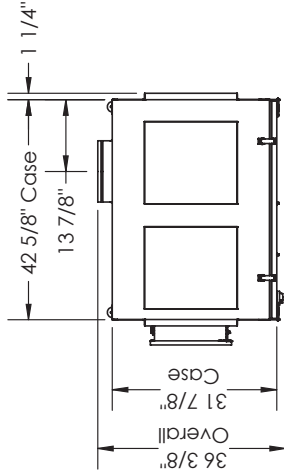
ELECTRICAL DATA

HP	Volts	HZ	Phase	FLA per motor	Min. Cir. Amps	Max. Overcurrent Protection Device
1.0	120	60	Single	8.0	18.0	20
1.0	208-230	60	Single	6.2	14.0	15

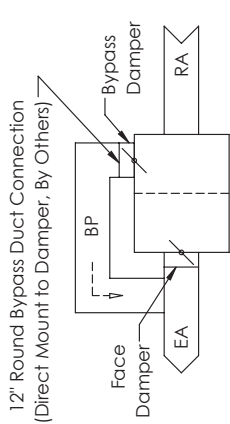
Specifications may be subject to change without notice.



HE1.5XINH Energy Recovery Ventilator EC Motor with Bypass Economizer



TOP VIEW



BYPASS AIRFLOW SCHEMATIC
TOP VIEW
(OA/FA Airstream Not Shown)

ABBREVIATIONS

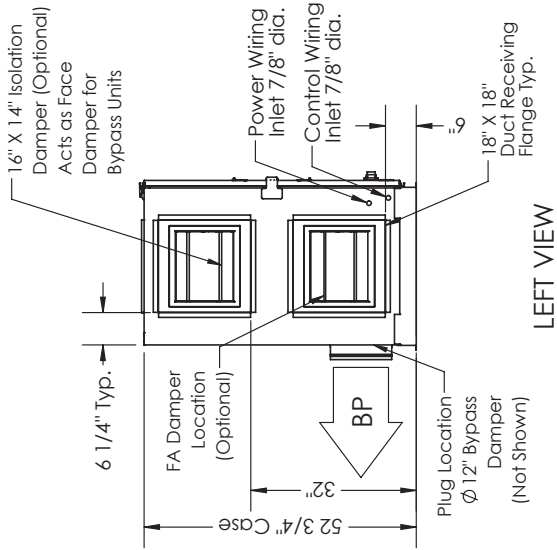
- EA: Exhaust Air to outside
- OA: Outside Air Intake
- RA: Room Air to be exhausted
- FA: Fresh Air to inside
- BP: Bypass Air outlet

INSTALLATION ORIENTATION

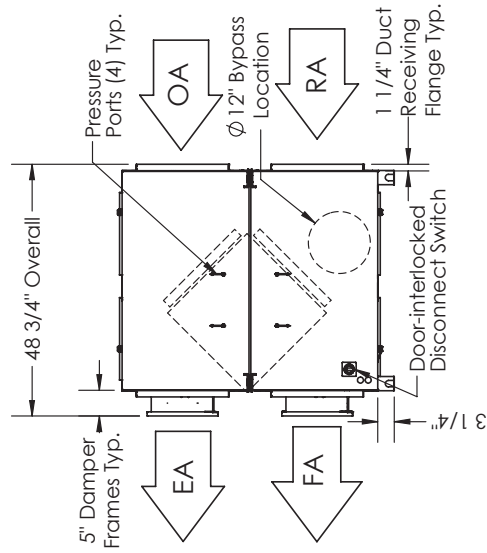
Unit may be installed in any orientation.

NOTE

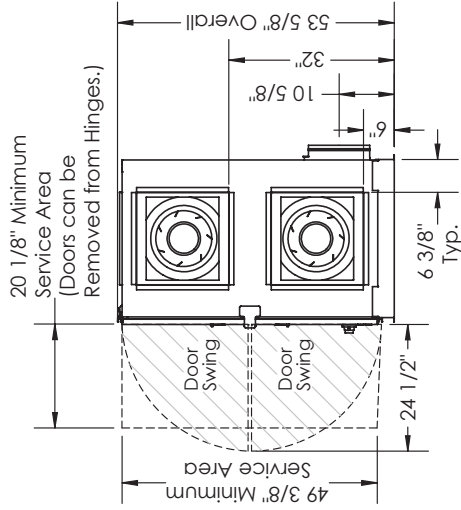
1. UNLESS OTHERWISE SPECIFIED, DIMENSIONS ARE ROUNDED TO THE NEAREST EIGHTH OF AN INCH.
2. SPECIFICATIONS MAY BE SUBJECT TO CHANGE WITHOUT NOTICE.
3. MIN. DUCT CLEARANCE FROM DAMPER BLADE WHEN FULLY OPENED TO BE 2". SMAGNA RULES APPLY.
4. UNITS WITH BYPASS WILL REQUIRE ADDITIONAL SPACE FOR THE CONNECTION OF THE BYPASS DUCT (BY OTHERS).
5. FOR INSTALLATION DETAILS, REFER TO I&O MANUAL SUPPLEMENT FOR BYPASS.



LEFT VIEW



FRONT VIEW



RIGHT VIEW

AIRFLOW CONFIGURATION
Available as shown in dimension drawing.



UNIT MOUNTING & APPLICATION
Can be mounted in any orientation. Airstreams can not be switched.