

HE 1.5XINV

Energy Recovery Ventilator Standard



INDOOR UNIT



HE1.5XINV shown

Download specification at:
renewaire.com/specifications

SPECIFICATIONS

Ventilation Type:

Static plate, heat and humidity transfer

Typical Airflow Range: 375-1,575 CFM

AHRI 1060 Certified Core:

One L62-G5 and one L125-G5

Standard Features:

Non-fused disconnect
 24 VAC transformer/relay package
 Cross-core differential pressure ports

Filters:

Total qty. 4, MERV 8: (2) 14" x 20" x 2" and
 (2) 16" x 20" x 2"

Unit Dimensions & Weight:

59 1/2" L x 34 1/2" W x 46 1/4" H
 337-504 lbs., varies by option(s)

Max. Shipping Dimensions & Weight (on pallet):

70" L x 47" W x 59" H
 571 lbs.

Motor(s):

Qty. 2, 1.0 HP ea., Direct drive standard motorized
 impeller packages

Options:

Qty. 2, Variable Speed/ECM - Direct drive motors
 (see HE1.5XINV EC Motor submittal) -
 1.0 HP 120V/1Ph/60HZ,
 1.0 HP 208-230V/1Ph/60HZ
 Independent blower control
 Fused disconnect
 Integrated programmable controls -
 enhanced, premium
 Bypass economizer damper
 (see bypass DIM drawing) -
 dry-bulb temperature controls (standard),
 enthalpy controls (option)
 Class 1 low leakage motorized isolation dampers -
 FA, EA or both airstreams
 Gravity backdraft dampers
 Qty. 2, Factory mounted filter alarms -
 both airstreams
 Double wall construction
 Exterior paint - white, custom colors

Accessories:

Filters - MERV 13, 2" (shipped loose)
 Backdraft damper - OA or EA
 Digital time clock - wall mount (TC7D-W),
 in exterior enclosure (TC7D-E)
 Carbon dioxide sensor/control -
 wall mount (CO2-W), duct mount (CO2-D)
 IAQ sensor - wall mount (IAQ-W),
 duct mount (IAQ-D)
 Motion occupancy sensor/control -
 ceiling mount (MC-C), wall mount (MC-W)
 Smoke Detector - duct mount (SD-D)
 Electric duct heater - EK series (1-175 kW)
 Indirect gas-fired duct furnace - GH series
 (50-400 MBH), installed downstream of any fans

AIRFLOW PERFORMANCE

| Motor HP Phase | External Static Pressure (Inches Water Column) | | | | | | |
|---------------------|--|--------------------------|--------------------------|--------------------------|--------------------------|------------------------|------------------------|
| | 0.0 | 0.25 | 0.50 | 0.75 | 1.00 | 1.25 | 1.50 |
| 1.0 Single Phase | 1,575 CFM 1,545 Watts | 1,470 CFM 1,525 Watts | 1,350 CFM 1,500 Watts | 1,225 CFM 1,475 Watts | 1,090 CFM 1,435 Watts | 950 CFM 1,380 Watts | 795 CFM 1,300 Watts |
| 1.0 Three Phase | 1,675 CFM 1,410 Watts | 1,570 CFM 1,400 Watts | 1,435 CFM 1,380 Watts | 1,280 CFM 1,340 Watts | 1,115 CFM 1,280 Watts | 940 CFM 1,210 Watts | 760 CFM 1,135 Watts |

Note: Watts is for the entire unit (2 motors).

Note: Airflow performance includes effect of clean, standard filter supplied with unit.

ELECTRICAL DATA

| HP | Volts | HZ | Phase | FLA per motor | Min. Cir. Amps | Max. Overcurrent Protection Device |
|-----|---------|----|--------|---------------|----------------|------------------------------------|
| 1.0 | 120 | 60 | Single | 6.5 | 14.6 | 20 |
| 1.0 | 208-230 | 60 | Single | 3.3-3.4 | 7.7 | 15 |
| 1.0 | 277 | 60 | Single | 2.7 | 6.1 | 15 |
| 1.0 | 208-230 | 60 | Three | 2.2-2.2 | 5.0 | 15 |
| 1.0 | 460 | 60 | Three | 1.1 | 2.5 | 15 |

Specifications may be subject to change without notice.

HE1.5XINV Energy Recovery Ventilator Standard

ABBREVIATIONS

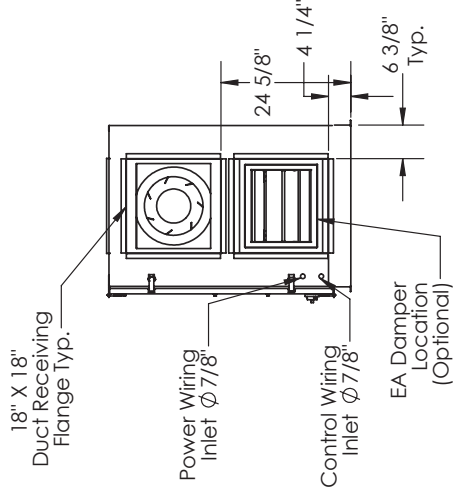
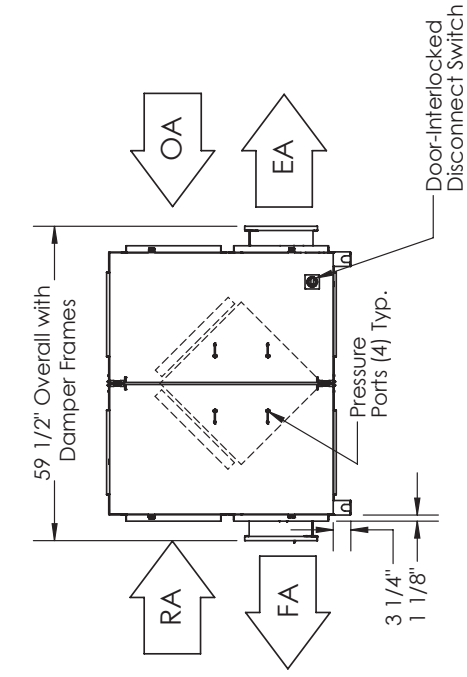
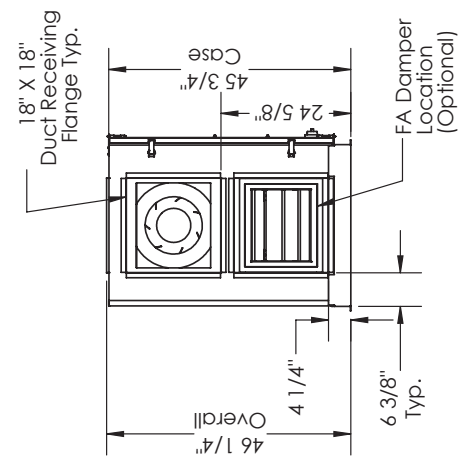
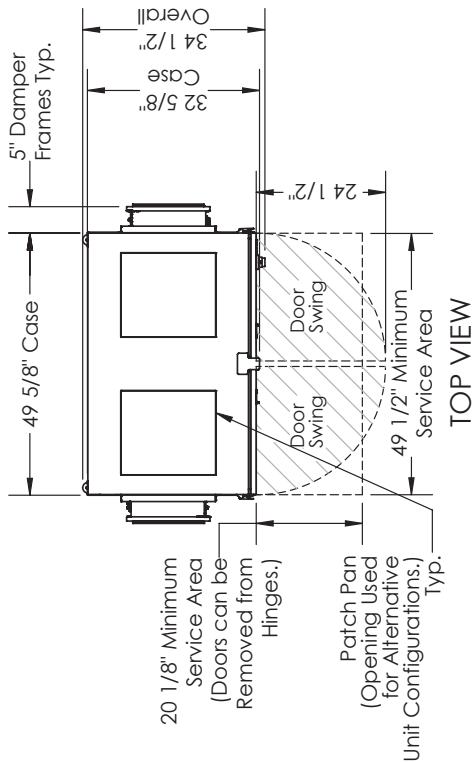
- EA: Exhaust Air to outside
- OA: Outside Air intake
- RA: Room Air to be exhausted
- FA: Fresh Air to inside

INSTALLATION ORIENTATION

Unit may be installed in any orientation.

NOTE

1. UNLESS OTHERWISE SPECIFIED, DIMENSIONS ARE ROUNDED TO THE NEAREST EIGHTH OF AN INCH.
2. SPECIFICATIONS MAY BE SUBJECT TO CHANGE WITHOUT NOTICE.
3. MIN. DUCT CLEARANCE FROM DAMPER BLADE WHEN FULLY OPENED TO BE 2". SMACNA RULES APPLY.



RIGHT VIEW

FRONT VIEW

LEFT VIEW

AIRFLOW CONFIGURATION

Available as shown in dimension drawing.

UNIT MOUNTING & APPLICATION



Can be mounted in any orientation. RA/EA airstream can be switched with OA/FA airstream unless certain options are selected. Duct configuration is field convertible.