

HE 1.5XINV

Energy Recovery Ventilator Standard with Bypass Economizer



INDOOR UNIT



HE1.5XINVH shown

Energy Recovery Core is AHRI Certified®



SPECIFICATIONS

Ventilation Type:
Static plate, heat and humidity transfer

Typical Airflow Range: 375-1,575 CFM

AHRI 1060 Certified Core:
One L62-G5 and one L125-G5

Standard Features:
Non-fused disconnect
24 VAC transformer/relay package
Cross-core differential pressure ports

Filters:
Total qty. 4, MERV 8: (2) 14" x 20" x 2" and
(2) 16" x 20" x 2"

Unit Weight:
337-504 lbs., varies by option(s)

Max. Shipping Dimensions & Weight (on pallet):
70" L x 47" W x 59" H
571 lbs.

Motor(s):
Qty. 2, 1.0 HP ea., Direct drive standard motorized
impeller packages

Options:
Qty. 2, Variable Speed/ECM - Direct drive motors
(see HE1.5XINV EC Motor submittal) -
1.0 HP 120V/1Ph/60HZ,
1.0 HP 208-230V/1Ph/60HZ
1.0 HP 277V/1Ph/60HZ
Independent blower control
Fused disconnect
Integrated programmable controls -
enhanced, premium
Bypass economizer damper
(see bypass DIM drawing) -
dry-bulb temperature controls (standard),
enthalpy controls (option)
Class 1 low leakage motorized isolation dampers -
FA, EA or both airstreams
Gravity backdraft dampers
Qty. 2, Factory mounted filter alarms -
both airstreams
Double wall construction
Exterior paint - white, custom colors

Accessories:
Filters - MERV 13, 2" (shipped loose)
Backdraft damper - OA or EA
Automatic balancing damper - 4", 5", 6"
Digital time clock - wall mount (TC7D-W),
in exterior enclosure (TC7D-E)
Carbon dioxide sensor/control -
wall mount (CO2-W), duct mount (CO2-D)
IAQ sensor - wall mount (IAQ-W),
duct mount (IAQ-D)
Motion occupancy sensor/control -
ceiling mount (MC-C), wall mount (MC-W)
Smoke Detector - duct mount (SD-D)
Electric duct heater - EK series (1-175 kW)
Indirect gas-fired duct furnace - GH series
(50-400 MBH), installed downstream of any fans

AIRFLOW PERFORMANCE

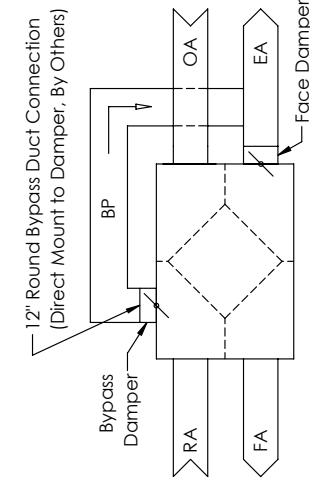
Motor HP Phase	External Static Pressure (Inches Water Column)						
	0.0	0.25	0.50	0.75	1.00	1.25	1.50
1.0 Single Phase	1,575 CFM 1,545 Watts	1,470 CFM 1,525 Watts	1,350 CFM 1,500 Watts	1,225 CFM 1,475 Watts	1,090 CFM 1,435 Watts	950 CFM 1,380 Watts	795 CFM 1,300 Watts
1.0 Three Phase	1,675 CFM 1,410 Watts	1,570 CFM 1,400 Watts	1,435 CFM 1,380 Watts	1,280 CFM 1,340 Watts	1,115 CFM 1,280 Watts	940 CFM 1,210 Watts	760 CFM 1,135 Watts

Note: Watts is for the entire unit (2 motors).
Note: Airflow performance includes effect of clean, standard filter supplied with unit.

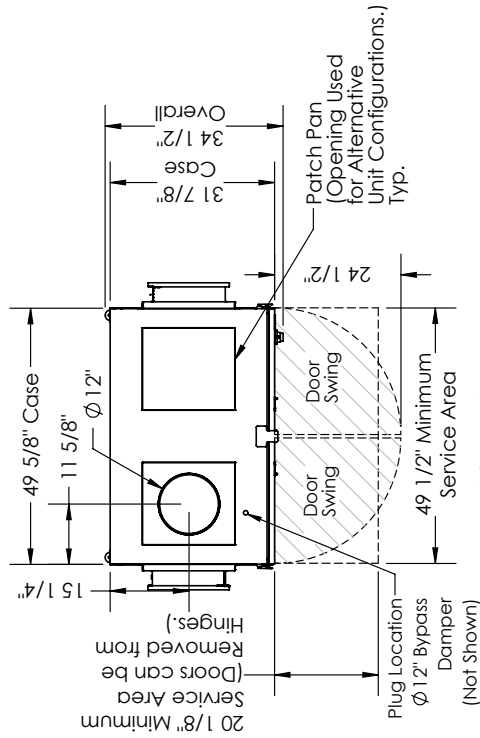
ELECTRICAL DATA

HP	Volts	HZ	Phase	FLA per motor	Min. Cir. Amps	Max. Overcurrent Protection Device
1.0	120	60	Single	6.5	14.6	20
1.0	208-230	60	Single	3.3-3.4	7.7	15
1.0	277	60	Single	2.7	6.1	15
1.0	208-230	60	Three	2.2-2.2	5.0	15
1.0	460	60	Three	1.1	2.5	15

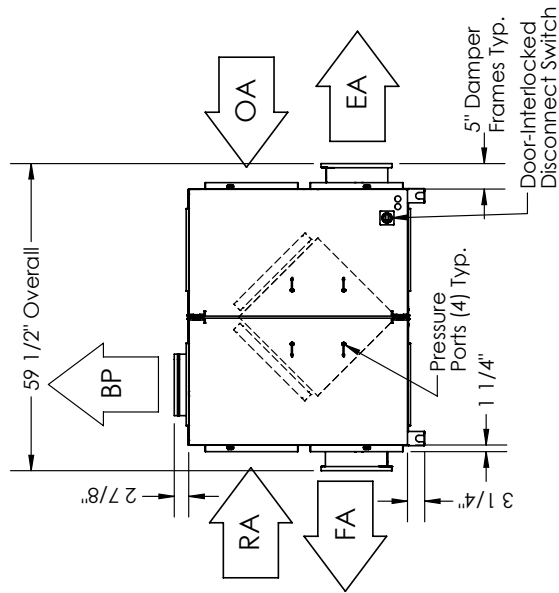
HE1.5XINV Energy Recovery Ventilator Standard with Bypass Economizer



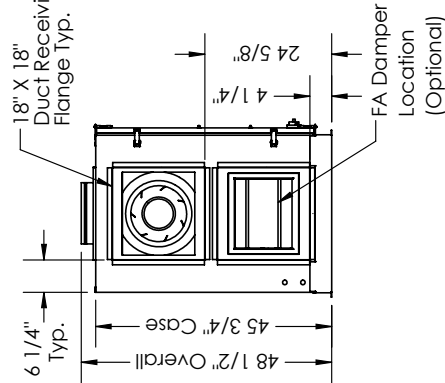
BYPASS AIRFLOW SCHEMATIC
FRONT VIEW



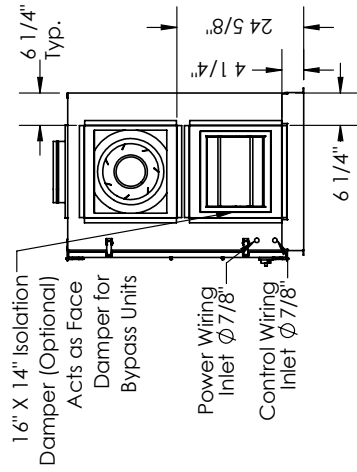
TOP VIEW



FRONT VIEW



LEFT VIEW



RIGHT VIEW

- ABBREVIATIONS**
 EA: Exhaust Air to outside
 OA: Outside Air intake
 RA: Room Air to be exhausted
 FA: Fresh Air to inside
 BP: Bypass Air outlet
- INSTALLATION ORIENTATION**
 Unit may be installed in any orientation.
- NOTE**
 1. UNLESS OTHERWISE SPECIFIED, DIMENSIONS ARE ROUNDED TO THE NEAREST EIGHTH OF AN INCH.
 2. SPECIFICATIONS MAY BE SUBJECT TO CHANGE WITHOUT NOTICE.
 3. MIN. DUCT CLEARANCE FROM DAMPER BLADE WHEN FULLY OPENED TO BE 2". SMACNA RULES APPLY.
 4. UNITS WITH BYPASS WILL REQUIRE ADDITIONAL SPACE FOR THE CONNECTION OF THE BYPASS DUCT (BY OTHERS).
 5. FOR INSTALLATION DETAILS, REFER TO I&O MANUAL SUPPLEMENT FOR BYPASS.

AIRFLOW CONFIGURATION
 Available as shown in dimension drawing.

UNIT MOUNTING & APPLICATION
 Can be mounted in any orientation. Airstreams can not be switched.