

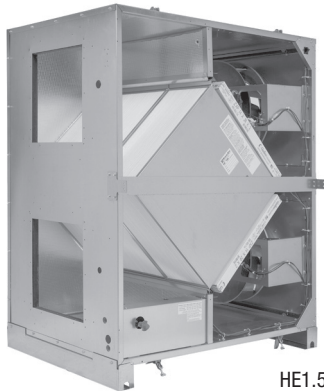
HE 1.5XINV

INDOOR UNIT

Energy Recovery Ventilator EC Motor with Bypass Economizer



Intertek



HE1.5XINV shown

Download specification at:
renewaire.com/specifications

SPECIFICATIONS

Ventilation Type:

Static plate, heat and humidity transfer

Typical Airflow Range: 375-1,575 CFM

AHRI 1060 Certified Core:

One L62-G5 and one L125-G5

Standard Features:

Non-fused disconnect
24 VAC transformer/relay package
Cross-core differential pressure ports

Filters:

Total qty. 4, MERV 8: (2) 14" x 20" x 2" and
(2) 16" x 20" x 2"

Unit Dimensions & Weight:

59 1/2" L x 34 1/2" W x 46 1/4" H
336-504 lbs., varies by option(s)

Max. Shipping Dimensions & Weight (on pallet):

70" L x 47" W x 59" H
571 lbs.

Motor(s):

Qty. 2, 1.0 HP ea., Direct drive EC motorized
impeller packages

Options:

Fused disconnect
Integrated programmable controls -
enhanced, premium
Bypass economizer damper
(see bypass DIM drawing) -
dry-bulb temperature controls (standard),
enthalpy controls (option)
Class 1 low leakage motorized isolation dampers -
FA, EA or both airstreams
Gravity backdraft dampers
Qty. 2, Factory mounted filter alarms -
both airstreams
Double wall construction
Exterior paint - white, custom colors

Accessories:

Filters - MERV 13, 2" (shipped loose)
Backdraft damper - OA or EA
Potentiometer speed control - remote installed
Digital time clock - wall mount (TC7D-W),
in exterior enclosure (TC7D-E)
Carbon dioxide sensor/control -
wall mount (CO2-W), duct mount (CO2-D)
IAQ sensor - wall mount (IAQ-W),
duct mount (IAQ-D)
Motion occupancy sensor/control -
ceiling mount (MC-C), wall mount (MC-W)
Smoke Detector - duct mount (SD-D)
Electric duct heater - EK series (1-175 kW)
Indirect gas-fired duct furnace - GH series
(50-400 MBH), installed downstream of any fans

EC MOTOR OPTION OPERATING RANGE

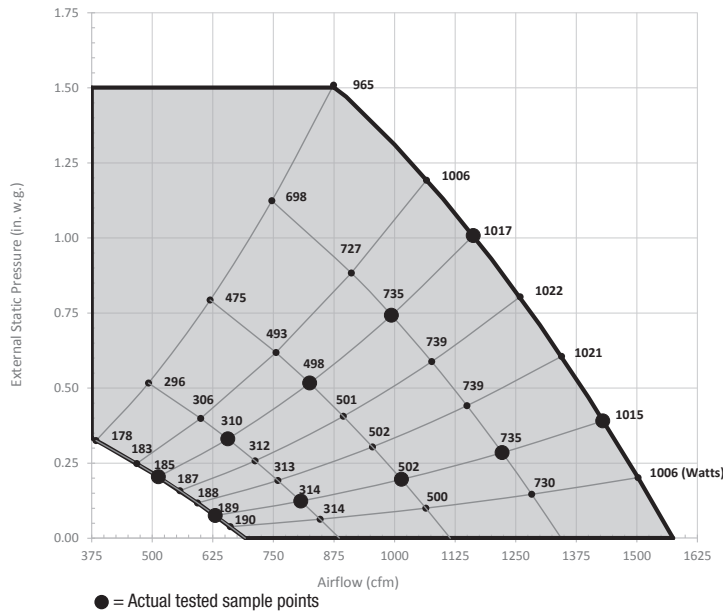
| HE1.5XINV EC MOTOR | | |
|---------------------------------------|--|--------------------------------|
| Sample Points Depicted in Larger Dots | | |
| Airflow (CFM) | External Static Pressure (Inches Water Column) | Unit Power Consumption (Watts) |
| 630 | 0.07 | 189 |
| 807 | 0.12 | 314 |
| 1014 | 0.20 | 502 |
| 1222 | 0.28 | 735 |
| 1430 | 0.39 | 1015 |
| 513 | 0.20 | 185 |
| 656 | 0.33 | 310 |
| 825 | 0.52 | 498 |
| 994 | 0.74 | 735 |
| 1163 | 1.01 | 1017 |

Note: Watts is for the entire unit.

Note: Airflow performance includes effect of clean, standard filter supplied with unit.

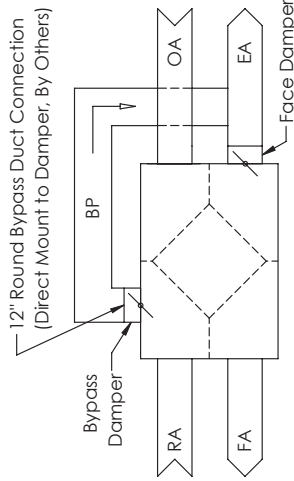
ELECTRICAL DATA

| HP | Volts | HZ | Phase | FLA per motor | Min. Cir. Amps | Max. Overcurrent Protection Device |
|-----|---------|----|--------|---------------|----------------|------------------------------------|
| 1.0 | 120 | 60 | Single | 8.0 | 18.0 | 20 |
| 1.0 | 208-230 | 60 | Single | 6.2 | 14.0 | 15 |

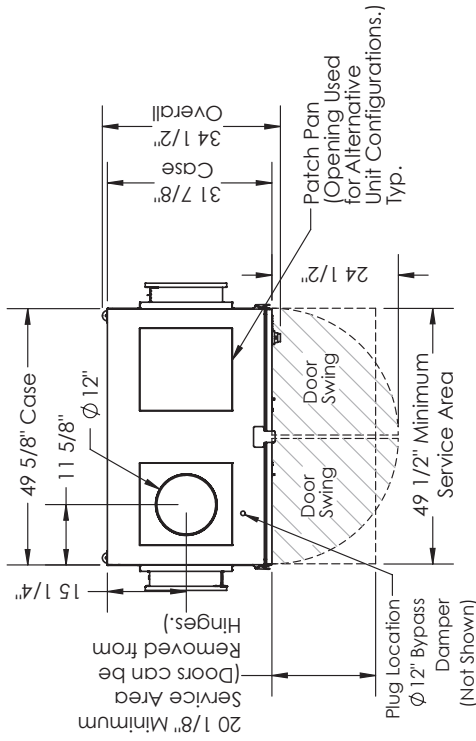


HE1.5XINV

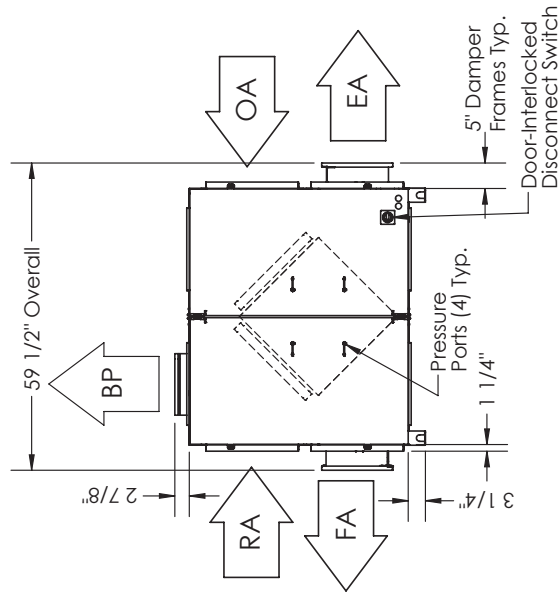
Energy Recovery Ventilator EC Motor with Bypass Economizer



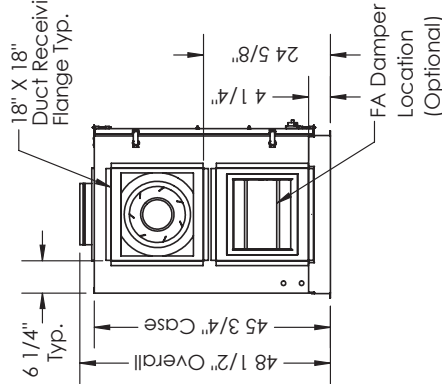
BYPASS AIRFLOW SCHEMATIC
FRONT VIEW



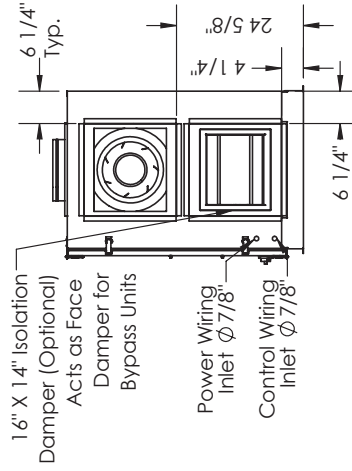
TOP VIEW



FRONT VIEW



LEFT VIEW



RIGHT VIEW

ABBREVIATIONS

- EA: Exhaust Air to outside
- OA: Outside Air intake
- RA: Room Air to be exhausted
- FA: Fresh Air to inside
- BP: Bypass Air outlet

INSTALLATION ORIENTATION

Unit may be installed in any orientation.

NOTE

1. UNLESS OTHERWISE SPECIFIED, DIMENSIONS ARE ROUNDED TO THE NEAREST EIGHTH OF AN INCH.
2. SPECIFICATIONS MAY BE SUBJECT TO CHANGE WITHOUT NOTICE.
3. MIN. DUCT CLEARANCE FROM DAMPER BLADE WHEN FULLY OPENED TO BE 2". SMACNA RULES APPLY.
4. UNITS WITH BYPASS WILL REQUIRE ADDITIONAL SPACE FOR THE CONNECTION OF THE BYPASS DUCT (BY OTHERS).
5. FOR INSTALLATION DETAILS, REFER TO I&O MANUAL SUPPLEMENT FOR BYPASS.

AIRFLOW CONFIGURATION

Available as shown in dimension drawing.

UNIT MOUNTING & APPLICATION

Can be mounted in any orientation. Airstreams can not be switched.

