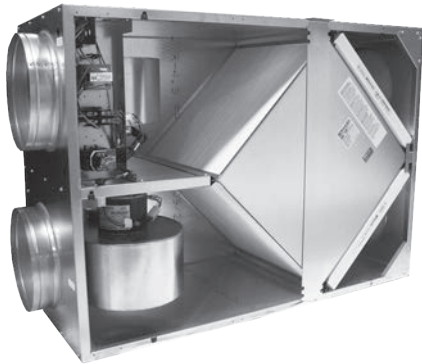


HE1XINH

INDOOR UNIT



Download specification at:
renewaire.com/specifications

Energy Recovery Ventilator EC Motor with Bypass Economizer



SPECIFICATIONS

Ventilation Type:

Static plate, heat and humidity transfer

Typical Airflow Range: 250-1,100 CFM

AHRI 1060 Certified Core: One L125-G5

Standard Features:

Non-fused disconnect
24 VAC transformer/relay package
Cross-core differential pressure ports

Filters:

Total qty. 2, MERV 8: 20" x 20" x 2"

Unit Dimensions & Weight:

54 3/4" L x 23 3/4" W x 35 3/4" H
207-278 lbs., varies by option(s)

Max. Shipping Dimensions & Weight (on pallet):

63" L x 30" W x 56" H

325 lbs.

Accessories box shipped loose on top of unit.

Motor(s):

Qty. 2, 0.5 HP ea., Direct drive EC blower/
motor packages

Options:

Fused disconnect
Integrated programmable controls - enhanced, premium
Bypass economizer damper (see bypass DIM drawing) - dry-bulb temperature controls (standard), enthalpy controls (option)
Low-leakage motorized isolation dampers - OA, RA or both airstreams
Qty. 2, Factory mounted filter alarms - both airstreams
Double wall construction
Exterior paint - white, custom colors

Accessories:

Filters - MERV 13, 2" (shipped loose)
Backdraft damper 12"
Motorized isolation damper - both airstreams
Wall cap 12" - galvanized, paintable galvanneal
Potentiometer speed control - remote installed
Digital time clock - wall mount (TC7D-W), in exterior enclosure (TC7D-E)
Carbon dioxide sensor/control - wall mount (CO2-W), duct mount (CO2-D)
IAQ sensor - wall mount (IAQ-W), duct mount (IAQ-D)
Motion occupancy sensor/control - ceiling mount (MC-C), wall mount (MC-W)
Smoke Detector - duct mount (SD-D)
Electric duct heater - RH series (1-11.5 kW); EK series (1-175 kW); designed for indoor ductwork installation only
Indirect gas-fired duct furnace - GH series (50-400 MBH), installed downstream of any fans

EC MOTOR OPTION OPERATING RANGE

HE1XINH EC MOTOR		
Sample Points Depicted in Larger Dots		
Airflow (CFM)	External Static Pressure (Inches Water Column)	Unit Power Consumption (Watts)
324	0.04	86
446	0.07	150
647	0.15	300
794	0.24	564
929	0.33	827
1019	0.41	1042
300	0.11	91
406	0.20	160
579	0.42	359
713	0.65	599
828	0.89	871
883	1.00	1075

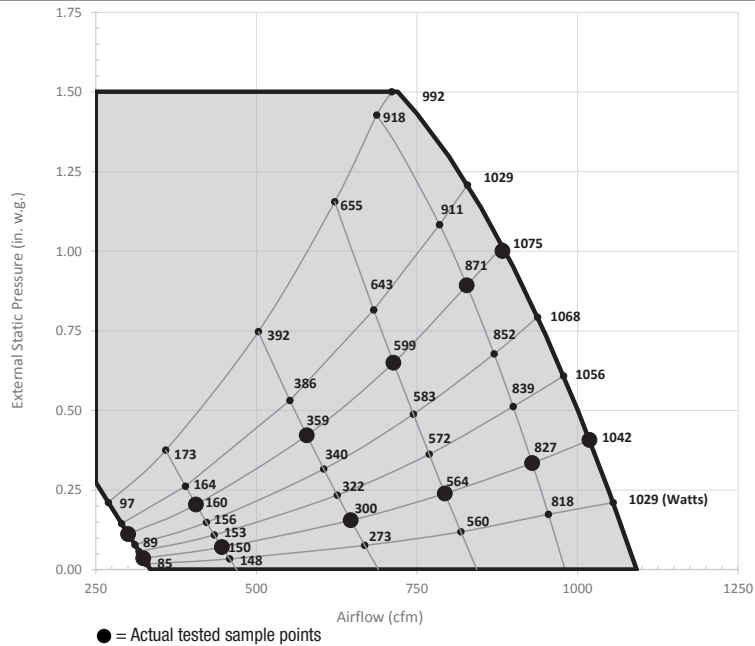
Note: Watts is for the entire unit.

Note: Airflow performance includes effect of clean, standard filter supplied with unit.

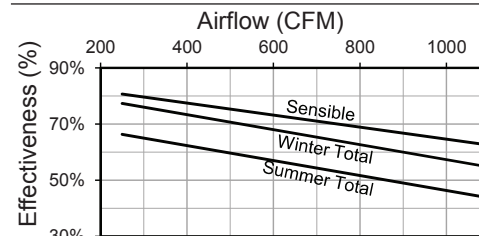
ELECTRICAL DATA

HP	Volts	HZ	Phase	FLA per motor	Min. Cir. Amps	Max. Overcurrent Protection Device
0.5	120	60	Single	8.1	18.2	25
0.5	208-230	60	Single	4.8	10.8	15

Specifications may be subject to change without notice.

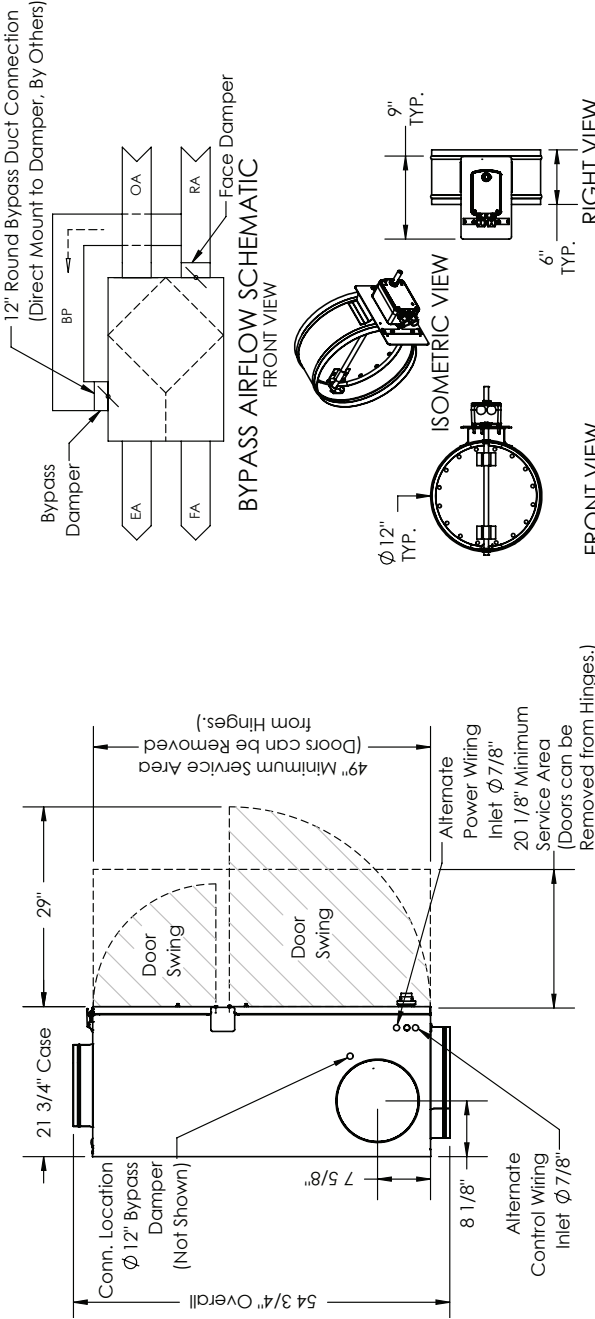


CORE PERFORMANCE



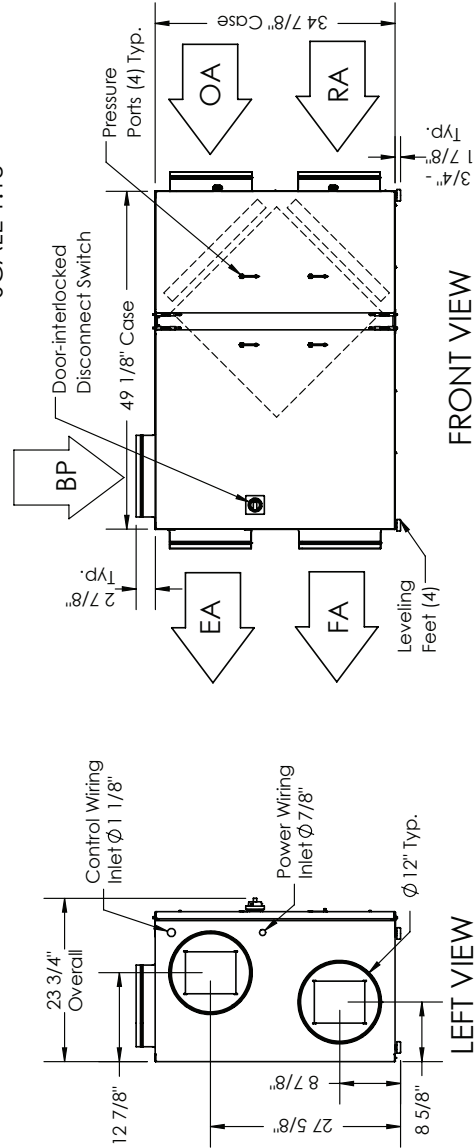
At AHRI 1060 standard conditions. See all AHRI certified ratings at www.ahrinet.org.

HE1XINH Energy Recovery Ventilator EC Motor with Bypass Economizer

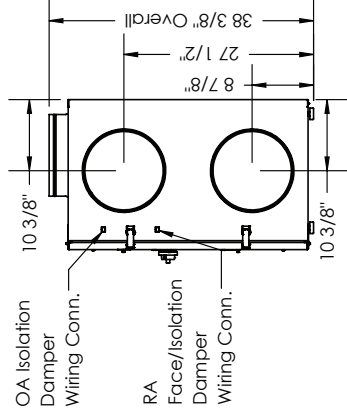


FRONT VIEW
(OA/RA/BP) DAMPER OPTION (QTY.3)
(SHIPPED LOOSE)
SCALE 1:18

TOP VIEW



RIGHT VIEW



ABBREVIATIONS

- EA: Exhaust Air to Outside
- OA: Outside Air Intake
- RA: Room Air to be Exhausted
- FA: Fresh Air to Inside
- BP: Bypass Air Intake

INSTALLATION ORIENTATION

Unit may be installed in any orientation.

NOTE

1. UNLESS OTHERWISE SPECIFIED, DIMENSIONS ARE ROUNDED TO THE NEAREST EIGHTH OF AN INCH.
2. SPECIFICATIONS MAY BE SUBJECT TO CHANGE WITHOUT NOTICE.
3. UNITS WITH BYPASS WILL REQUIRE ADDITIONAL SPACE FOR THE CONNECTION OF THE BYPASS DUCT (BY OTHERS).
4. FOR INSTALLATION DETAILS, REFER TO I&O MANUAL SUPPLEMENT FOR BYPASS.
5. DAMPERS SHIPPED LOOSE, FIELD INSTALLATION REQUIRED

AIRFLOW CONFIGURATION
Available as shown in dimension drawing.

UNIT MOUNTING & APPLICATION
Can be mounted in any orientation. Airstreams can not be switched.

