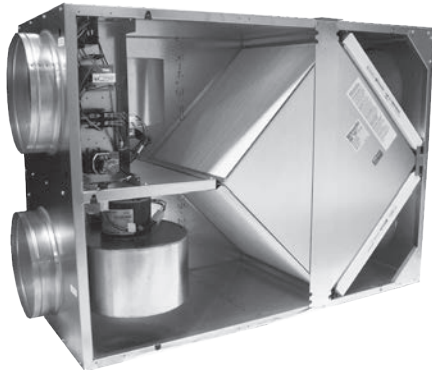


HE1XINH

INDOOR UNIT



Download specification at:
renewaire.com/specifications

Energy Recovery Ventilator Standard



SPECIFICATIONS

Ventilation Type:

Static plate, heat and humidity transfer

Typical Airflow Range: 250-925 CFM

AHRI 1060 Certified Core: One L125-G5

Standard Features:

Non-fused disconnect
24 VAC transformer/relay package
Cross-core differential pressure ports

Filters:

Total qty. 2, MERV 8: 20" x 20" x 2"

Unit Dimensions & Weight:

54 3/4" L x 23 3/4" W x 35 3/4" H
204-275 lbs., varies by option(s)

Max. Shipping Dimensions & Weight (on pallet):

63" L x 30" W x 56" H
325 lbs.

Accessories box shipped loose on top of unit.

Motor(s):

Qty. 2, 0.75 HP ea., Direct drive blower/standard motor packages

Options:

Qty. 2, Variable Speed/ECM - Direct Drive Motors (see HE1XINH EC Motor submittal) -

0.5 HP, 120V/1Ph/60HZ,
0.5 HP, 208-230V/1Ph/60HZ

Independent blower control

Fused disconnect

Integrated programmable controls - enhanced, premium

Bypass economizer damper

(see bypass DIM drawing) -

dry-bulb temperature controls (standard), enthalpy controls (option)

Low-leakage motorized isolation dampers - OA, RA or both airstreams

Qty. 2, Factory mounted filter alarms - both airstreams

Double wall construction

Exterior paint - white, custom colors

Accessories:

Filters - MERV 13, 2" (shipped loose)

Backdraft damper 12"

Motorized isolation damper - both airstreams

Wall cap 12" - galvanized, paintable galvanneal

Solid state speed control kit - 115V, 208-230V (1 required per motor)

Digital time clock - wall mount (TC7D-W), in exterior enclosure (TC7D-E)

Carbon dioxide sensor/control - wall mount (CO2-W), duct mount (CO2-D)

IAQ sensor - wall mount (IAQ-W), duct mount (IAQ-D)

Motion occupancy sensor/control - ceiling mount (MC-C), wall mount (MC-W)

Smoke Detector - duct mount (SD-D)

Electric duct heater - RH series (1-11.5 kW); EK series (1-175 kW);

designed for indoor ductwork installation only

Indirect gas-fired duct furnace - GH series

(50-400 MBH), installed downstream of any fans

AIRFLOW PERFORMANCE

Motor HP Phase	External Static Pressure (Inches Water Column)						
	0.0	0.25	0.5	0.75	0.9	1.25	1.5
0.75 Single Phase	970 CFM 1,490 Watts	925 CFM 1,375 Watts	860 CFM 1,270 Watts	795 CFM 1,160 Watts	750 CFM 1,090 Watts	635 CFM 950 Watts	480 CFM 825 Watts
0.75 Three Phase	970 CFM 1,246 Watts	925 CFM 1,158 Watts	860 CFM 1,039 Watts	795 CFM 928 Watts	750 CFM 856 Watts	635 CFM 691 Watts	480 CFM 509 Watts

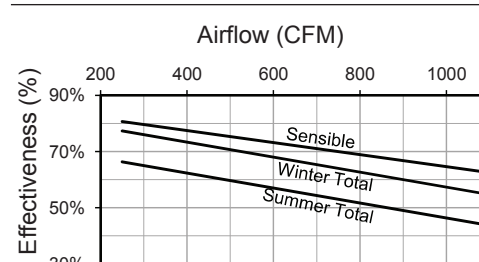
Note: Watts is for the entire unit (two motors).

Note: Airflow performance includes effect of clean, standard filter supplied with unit.

ELECTRICAL DATA

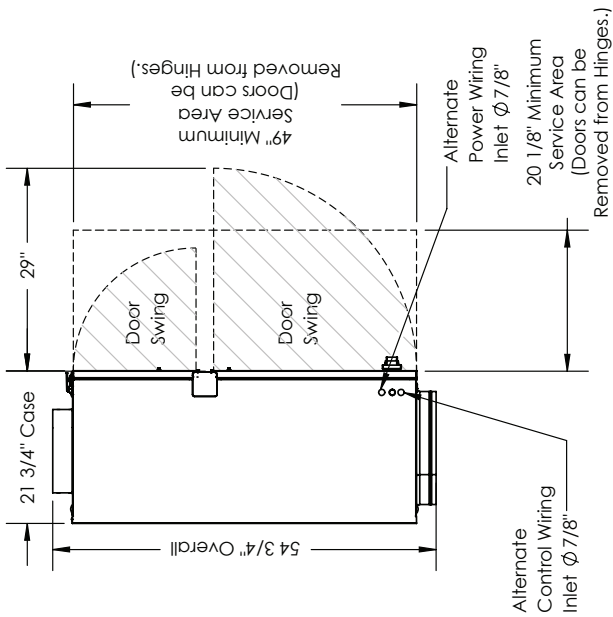
HP	Volts	HZ	Phase	FLA per motor	Min. Cir. Amps	Max. Overcurrent Protection Device
0.75	120	60	Single	9.0	20.3	25
0.75	208-230	60	Single	4.5	10.1	15
0.75	277	60	Single	3.9	8.8	15
0.75	208-230	60	Three	1.7-2.3	5.2	15
0.75	460	60	Three	1.15	2.6	15

CORE PERFORMANCE

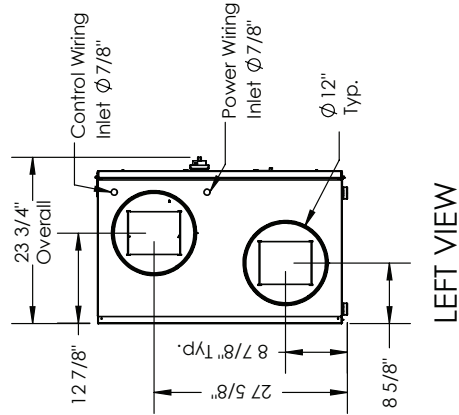


At AHRI 1060 standard conditions. See all AHRI certified ratings at www.ahrinet.org.

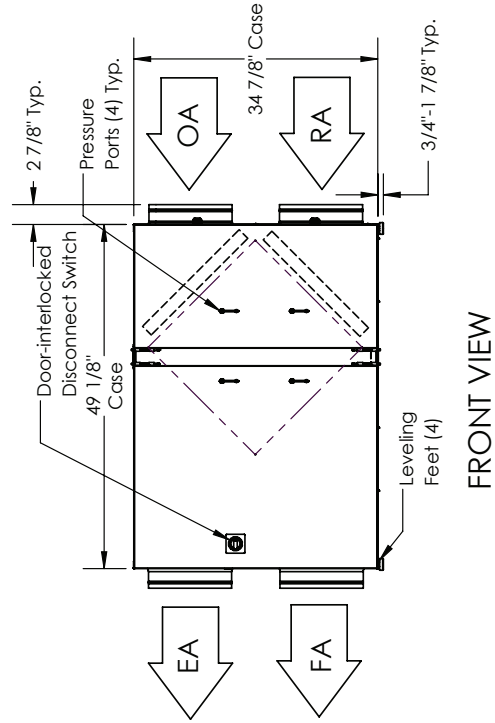
HE1XINH Energy Recovery Ventilator Standard



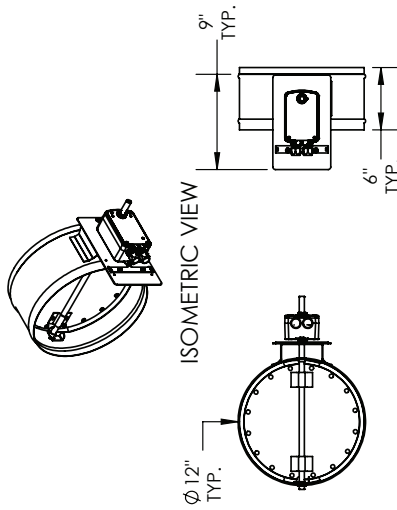
TOP VIEW



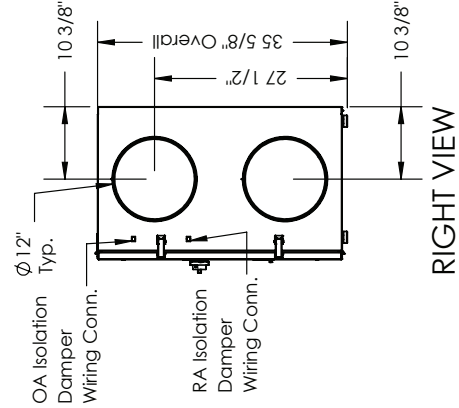
LEFT VIEW



FRONT VIEW



RIGHT VIEW
(OA/RA) DAMPER OPTION (QTY:2)
(SHIPPED LOOSE)
SCALE 1:16



RIGHT VIEW

ABBREVIATIONS
EA: Exhaust Air to Outside
OA: Outside Air Intake
RA: Room Air to be Exhausted
FA: Fresh Air to Inside

INSTALLATION ORIENTATION
Unit may be installed in any orientation.

NOTE
1. UNLESS OTHERWISE SPECIFIED, DIMENSIONS ARE ROUNDED TO THE NEAREST EIGHTH OF AN INCH.
2. SPECIFICATIONS MAY BE SUBJECT TO CHANGE WITHOUT NOTICE.
3. DAMPERS SHIPPED LOOSE, FIELD INSTALLATION REQUIRED.

AIRFLOW CONFIGURATION
Available as shown in dimension drawing.

UNIT MOUNTING & APPLICATION
Can be mounted in any orientation. RA/EA airstream can be switched with OA/FA airstream unless certain options are selected.

