

HE1XINV

INDOOR UNIT



Download specification at:
renewaire.com/specifications

Energy Recovery Ventilator EC Motor with Bypass Economizer



SPECIFICATIONS

Ventilation Type:
Static plate, heat and humidity transfer

Typical Airflow Range: 250-1,100 CFM

AHRI 1060 Certified Core: One L125-G5

Standard Features:
Non-fused disconnect
24 VAC transformer/relay package
Cross-core differential pressure ports

Filters:
Total qty. 2, MERV 8: 20" x 20" x 2"

Unit Dimensions & Weight:
40 1/2" L x 23 3/4" W x 50 3/4" H
204-275 lbs., varies by option(s)

Shipping Dimensions & Weight (on pallet):
30" L x 42" W x 71" H
325 lbs.
Accessories box shipped loose on top of unit.

Motor(s):
Qty. 2, 0.5 HP ea., Direct drive EC blower/
motor packages

Options:
Fused disconnect
Integrated programmable controls - enhanced, premium
Bypass economizer damper (see bypass DIM drawing) - dry-bulb temperature controls (standard), enthalpy controls (option)
Low-leakage motorized isolation dampers - OA, RA or both airstreams
Qty. 2, Factory mounted filter alarms - both airstreams
Double wall construction
Exterior paint - white, custom colors

Accessories:
Filters - MERV 13, 2" (shipped loose)
Backdraft damper 12"
Motorized isolation damper - both airstreams
Wall cap 12" - galvanized, paintable galvanneal
Potentiometer speed control - remote installed
Digital time clock - wall mount (TC7D-W), in exterior enclosure (TC7D-E)
Carbon dioxide sensor/control - wall mount (CO2-W), duct mount (CO2-D)
IAQ sensor - wall mount (IAQ-W), duct mount (IAQ-D)
Motion occupancy sensor/control - ceiling mount (MC-C), wall mount (MC-W)
Smoke Detector - duct mount (SD-D)
Electric duct heater - RH series (1-11.5 kW); EK series (1-175 kW); designed for indoor ductwork installation only
Indirect gas-fired duct furnace - GH series (50-400 MBH), installed downstream of any fans

EC MOTOR OPTION OPERATING RANGE

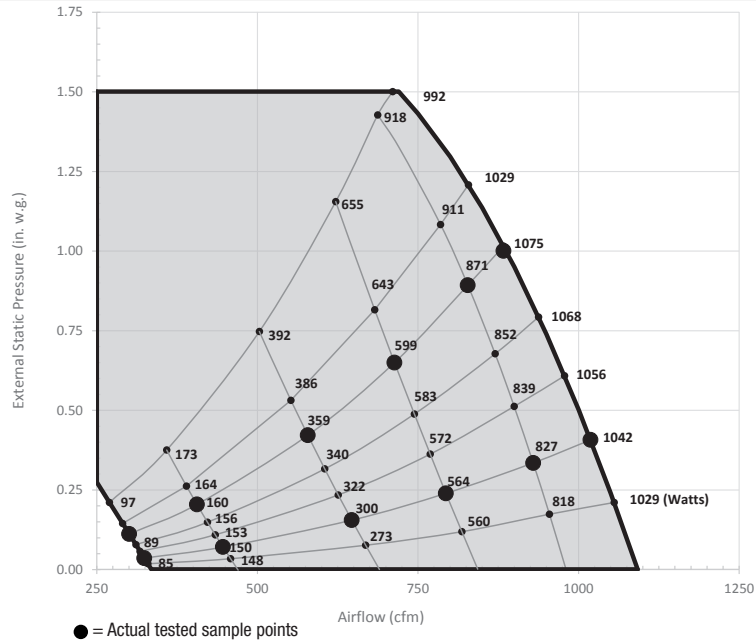
| HE1XINV EC MOTOR | | |
|---------------------------------------|--|--------------------------------|
| Sample Points Depicted in Larger Dots | | |
| Airflow (CFM) | External Static Pressure (Inches Water Column) | Unit Power Consumption (Watts) |
| 324 | 0.04 | 86 |
| 446 | 0.07 | 150 |
| 647 | 0.15 | 300 |
| 794 | 0.24 | 564 |
| 929 | 0.33 | 827 |
| 1019 | 0.41 | 1042 |
| 300 | 0.11 | 91 |
| 406 | 0.20 | 160 |
| 579 | 0.42 | 359 |
| 713 | 0.65 | 599 |
| 828 | 0.89 | 871 |
| 883 | 1.00 | 1075 |

Note: Watts is for the entire unit.
Note: Airflow performance includes effect of clean, standard filter supplied with unit.

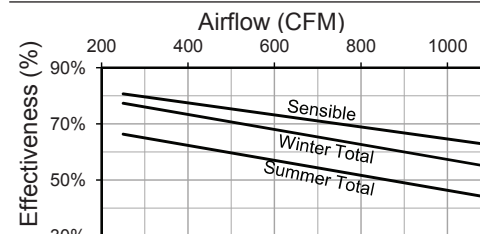
ELECTRICAL DATA

| HP | Volts | HZ | Phase | FLA per motor | Min. Cir. Amps | Max. Overcurrent Protection Device |
|-----|---------|----|--------|---------------|----------------|------------------------------------|
| 0.5 | 120 | 60 | Single | 8.1 | 18.2 | 25 |
| 0.5 | 208-230 | 60 | Single | 4.8 | 10.8 | 15 |

Specifications may be subject to change without notice.

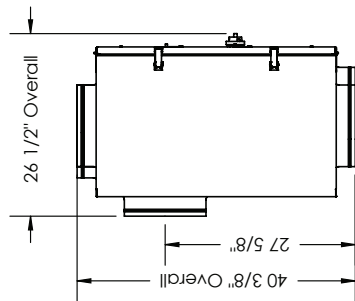


CORE PERFORMANCE

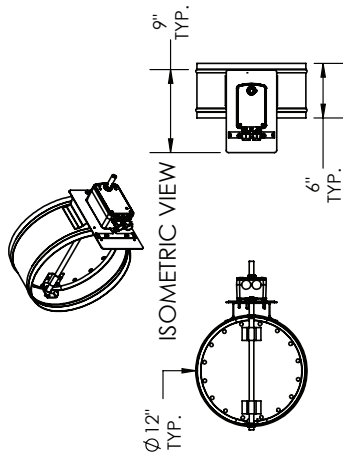


At AHRI 1060 standard conditions. See all AHRI certified ratings at www.ahrinet.org.

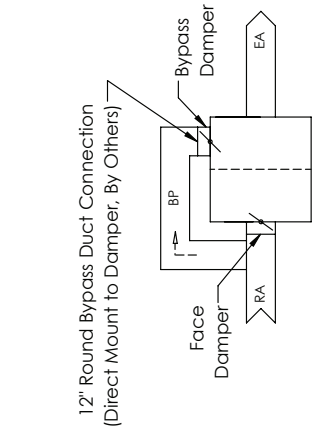
HE1XINV Energy Recovery Ventilator EC Motor with Bypass Economizer



TOP VIEW

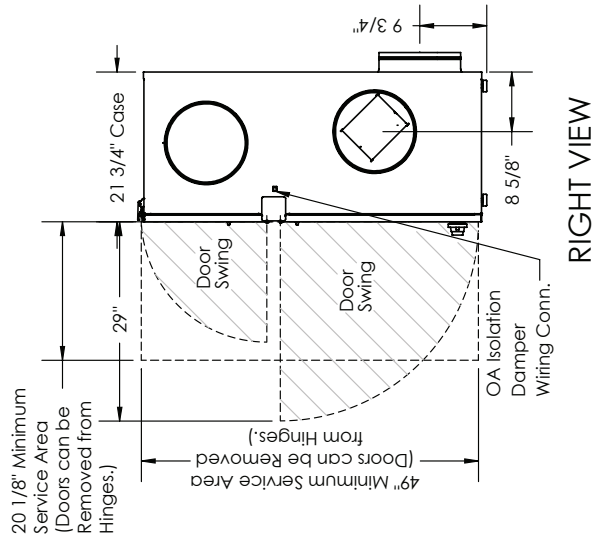


FRONT VIEW (OA/RA/BP) DAMPER OPTION (QTY.3) (SHIPPED LOOSE) SCALE 1:18

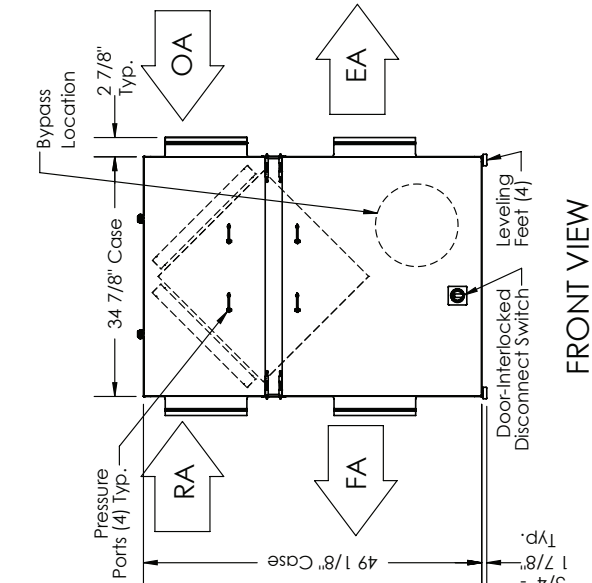


BYPASS AIRFLOW SCHEMATIC (OA/FA Airstream Not Shown)

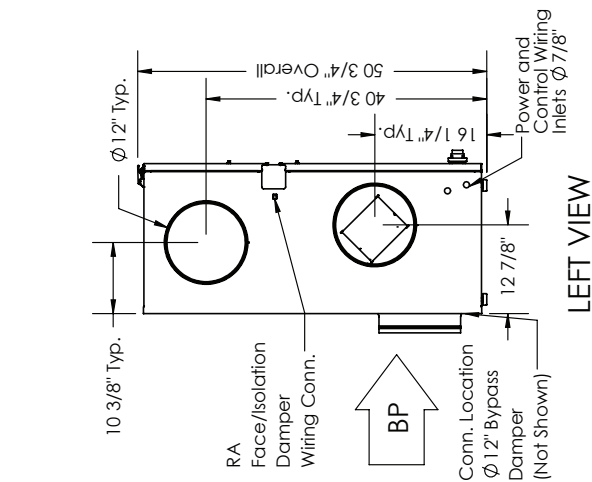
- ABBREVIATIONS**
 EA: Exhaust Air to Outside
 OA: Outside Air Intake
 RA: Room Air to be Exhausted
 FA: Fresh Air to Inside
 BP: Bypass Air Intake
- INSTALLATION ORIENTATION**
 Unit may be installed in any orientation.
- NOTE**
 1. UNLESS OTHERWISE SPECIFIED, DIMENSIONS ARE ROUNDED TO THE NEAREST EIGHTH OF AN INCH.
 2. SPECIFICATIONS MAY BE SUBJECT TO CHANGE WITHOUT NOTICE.
 3. UNITS WITH BYPASS WILL REQUIRE ADDITIONAL SPACE FOR THE CONNECTION OF THE BYPASS DUCT (BY OTHERS).
 4. FOR INSTALLATION DETAILS, REFER TO I&O MANUAL SUPPLEMENT FOR BYPASS.
 5. DAMPERS SHIPPED LOOSE, FIELD INSTALLATION REQUIRED



RIGHT VIEW



FRONT VIEW



LEFT VIEW

AIRFLOW CONFIGURATION
 Available as shown in dimension drawing.

UNIT MOUNTING & APPLICATION
 Can be mounted in any orientation. Airstreams can not be switched.