

# HE1XINV

INDOOR UNIT



Download specification at:  
renewaire.com/specifications

## Energy Recovery Ventilator EC Motor Option



**SPECIFICATIONS**

**Ventilation Type:**  
Static plate, heat and humidity transfer

**Typical Airflow Range:** 250-1,100 CFM

**AHRI 1060 Certified Core:** One L125-G5

**Standard Features:**  
Non-fused disconnect  
24 VAC transformer/relay package  
Cross-core differential pressure ports

**Filters:**  
Total qty. 2, MERV 8: 20" x 20" x 2"

**Unit Dimensions & Weight:**  
40 1/2" L x 23 3/4" W x 50 3/4" H  
204-275 lbs., varies by option(s)

**Shipping Dimensions & Weight (on pallet):**  
30" L x 42" W x 71" H  
325 lbs.  
Accessories box shipped loose on top of unit.

**Motor(s):**  
Qty. 2, 0.5 HP ea., Direct drive EC blower/  
motor packages

**Options:**  
Fused disconnect  
Integrated programmable controls - enhanced, premium  
Bypass economizer damper (see bypass DIM drawing) - dry-bulb temperature controls (standard), enthalpy controls (option)  
Low-leakage motorized isolation dampers - OA, RA or both airstreams  
Qty. 2, Factory mounted filter alarms - both airstreams  
Double wall construction  
Exterior paint - white, custom colors

**Accessories:**  
Filters - MERV 13, 2" (shipped loose)  
Backdraft damper 12"  
Motorized isolation damper - both airstreams  
Wall cap 12" - galvanized, paintable galvanneal  
Potentiometer speed control - remote installed  
Digital time clock - wall mount (TC7D-W), in exterior enclosure (TC7D-E)  
Carbon dioxide sensor/control - wall mount (CO2-W), duct mount (CO2-D)  
IAQ sensor - wall mount (IAQ-W), duct mount (IAQ-D)  
Motion occupancy sensor/control - ceiling mount (MC-C), wall mount (MC-W)  
Smoke Detector - duct mount (SD-D)  
Electric duct heater - RH series (1-11.5 kW); EK series (1-175 kW); designed for indoor ductwork installation only  
Indirect gas-fired duct furnace - GH series (50-400 MBH), installed downstream of any fans

**EC MOTOR OPTION OPERATING RANGE**

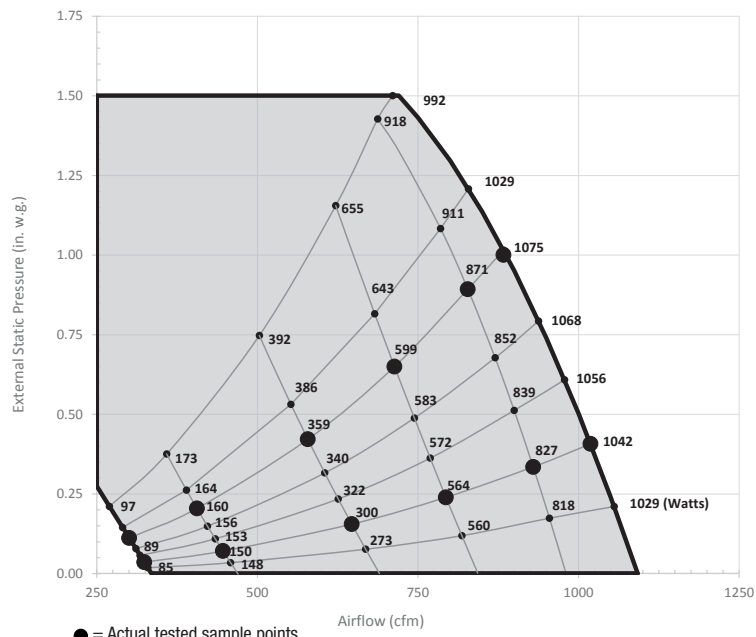
HE1XINV EC MOTOR		
Sample Points Depicted in Larger Dots		
Airflow (CFM)	External Static Pressure (Inches Water Column)	Unit Power Consumption (Watts)
324	0.04	86
446	0.07	150
647	0.15	300
794	0.24	564
929	0.33	827
1019	0.41	1042
300	0.11	91
406	0.20	160
579	0.42	359
713	0.65	599
828	0.89	871
883	1.00	1075

**Note:** Watts is for the entire unit.  
**Note:** Airflow performance includes effect of clean, standard filter supplied with unit.

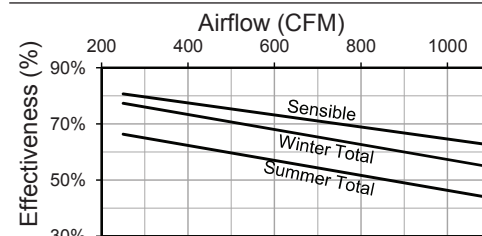
**ELECTRICAL DATA**

HP	Volts	HZ	Phase	FLA per motor	Min. Cir. Amps	Max. Overcurrent Protection Device
0.5	120	60	Single	8.1	18.2	25
0.5	208-230	60	Single	4.8	10.8	15

Specifications may be subject to change without notice.

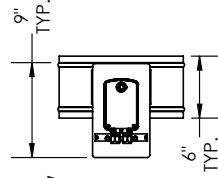
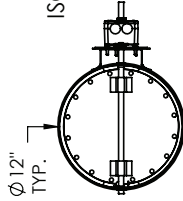
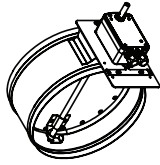
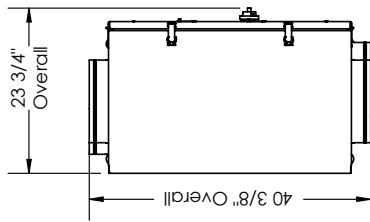


**CORE PERFORMANCE**



At AHRI 1060 standard conditions. See all AHRI certified ratings at www.ahrinet.org.

# HE1XINV Energy Recovery Ventilator EC Motor Option

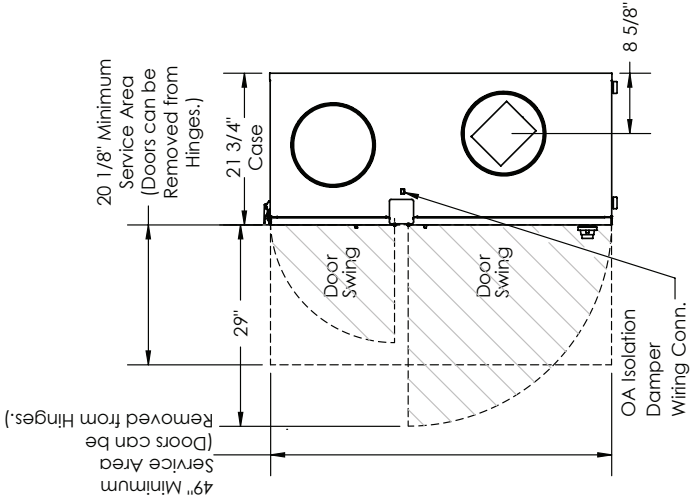


FRONT VIEW  
RIGHT VIEW  
**(OA/RA) DAMPER OPTION (QTY. 2)**  
(SHIPPED LOOSE)  
SCALE 1:16

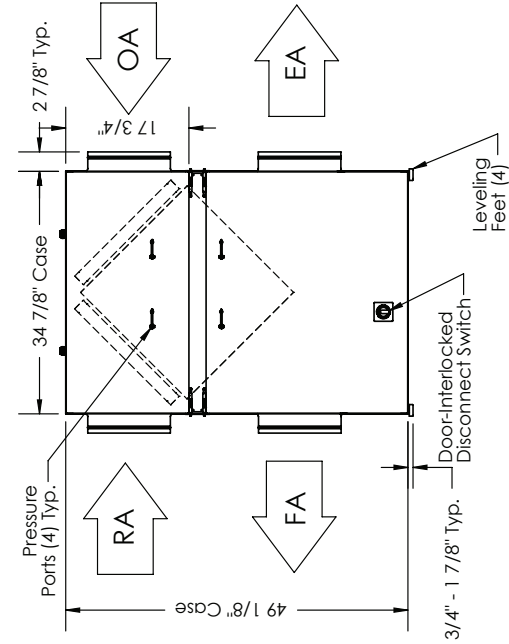
**ABBREVIATIONS**  
EA: Exhaust Air to Outside  
OA: Outside Air Intake  
RA: Room Air to be Exhausted  
FA: Fresh Air to Inside

**INSTALLATION ORIENTATION**  
Unit may be installed in any orientation.

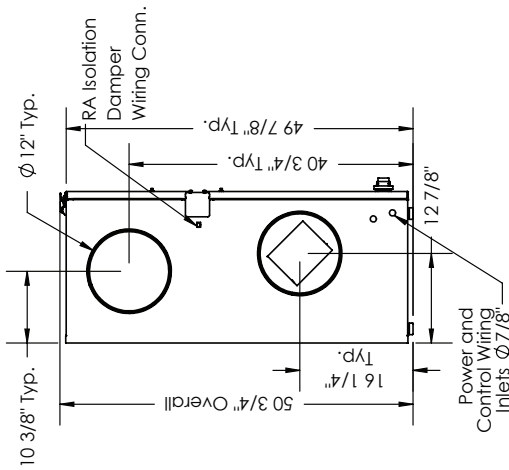
**NOTE**  
1. UNLESS OTHERWISE SPECIFIED, DIMENSIONS ARE ROUNDED TO THE NEAREST EIGHTH OF AN INCH.  
2. SPECIFICATIONS MAY BE SUBJECT TO CHANGE WITHOUT NOTICE.  
3. DAMPERS SHIPPED LOOSE, FIELD INSTALLATION REQUIRED



RIGHT VIEW



FRONT VIEW



LEFT VIEW

**AIRFLOW CONFIGURATION**  
Available as shown in dimension drawing.

**UNIT MOUNTING & APPLICATION**  
Can be mounted in any orientation. RA/EA airstream can be switched with OA/FA airstream unless certain options are selected.

