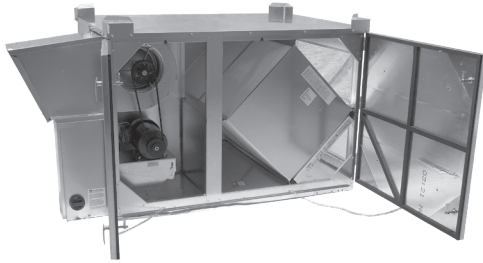


HE 2XRTC

Energy Recovery Ventilator Standard



ROOFTOP UNIT
Direct Connect



Download specification at:
renewaire.com/specifications

SPECIFICATIONS

Ventilation Type:
Static plate, heat and humidity transfer

Typical Airflow Range: 500-1,700 CFM

AHRI 1060 Certified Core: Two L125-G5

Standard Features:
TEFC Premium efficiency motors
Motor starters
Non-fused disconnect
24 VAC transformer/relay package
Cross-core differential pressure ports

Filters:
Total qty. 4, MERV 8: (2) 20" x 20" x 2" and (2) 14" x 20" x 2"

Unit Dimensions & Weight:
77 1/4" L x 61" W x 50" H
566-711 lbs., varies by option(s)

Max. Shipping Dimensions & Weight (on pallet):
80" L x 90" W x 50" H
850 lbs.

Motor(s):
Qty. 2, 2.0 HP ea., Belt drive blower/standard motor packages with adjustable sheaves (see table below)

Options:
Onboard variable frequency drives (VFDs) - one or both airstreams
Shaft grounding ring on motors with VFDs
Fused disconnect
Integrated programmable controls - enhanced, premium
Qty. 2, Factory mounted filter alarms - both airstreams
Double wall construction
Exterior paint - white, custom colors

Accessories:
Filters - MERV 13, 2" (shipped loose)
RTC transition kit - for vertical RTU, for horizontal RTU
Rooftop RTC transition paint - white, custom colors
Digital time clock - wall mount (TC7D-W), in exterior enclosure (TC7D-E)
Carbon dioxide sensor/control - wall mount (CO2-W), duct mount (CO2-D)
IAQ sensor - wall mount (IAQ-W), duct mount (IAQ-D)
Motion occupancy sensor/control - ceiling mount (MC-C), wall mount (MC-W)
Smoke Detector - duct mount (SD-D)

Note: Electric Duct Heater and Indirect Gas-Fired Duct Furnace are not available on RTC units.

AIRFLOW PERFORMANCE

	Blower RPM Nominal	Sheave Adj. Turns Open	Tie-In Directly to Rooftop A/C Unit*						Unit Ducted Independently*							
			Static Pressure in Adjacent Air Handler (Inches Water Column)						External Static Pressure (Inches Water Column)							
			-0.75		-0.5		-0.25		0.0		+0.25		+0.5		+0.75	
			CFM	BHP	CFM	BHP	CFM	BHP	CFM	BHP	CFM	BHP	CFM	BHP	CFM	BHP
Exhaust Air	1450	0	1664	1.6	1785	1.9							1785	1.9	1664	1.6
	1370	1	1400	1.4	1570	1.6	1740	1.8	1900	1.9	1740	1.8	1570	1.6	1400	1.4
	1290	2	1125	1.3	1350	1.4	1575	1.5	1727	1.6	1575	1.5	1350	1.4	1125	1.3
	1210	3	945	1.0	1165	1.1	1385	1.3	1560	1.4	1385	1.3	1165	1.1	945	1.0
	1130	4	721	0.7	978	0.9	1235	1.1	1365	1.1	1235	1.1	978	0.9	721	0.7
	1050	5	560	0.7	810	0.8	1060	0.9	1200	1.0	1060	0.9	810	0.8	560	0.7
	945	6	635	0.6	765	0.6	895	0.6	1025	0.7	895	0.6	765	0.6	635	0.6
Fresh Air	1705	0									1600	2.0	1480	1.9	1360	1.7
	1610	1					1635	2.0	1555	1.9	1490	1.8	1375	1.7	1260	1.5
	1515	2	1742	2.0	1631	1.9	1520	1.7	1430	1.6	1355	1.6	1230	1.4	1105	1.3
	1420	3	1620	1.7	1515	1.6	1410	1.5	1300	1.4	1230	1.4	1115	1.2	1000	1.1
	1325	4	1465	1.5	1370	1.4	1275	1.3	1190	1.3	1120	1.2	995	1.1	870	0.9
	1230	5	1325	1.3	1245	1.2	1165	1.1	1080	1.0	985	0.9	850	0.8	715	0.6
	1090	6	1170	1.0	1085	0.9	1000	0.8	905	0.8	824	0.7	743	0.6	662	0.6

Note: Brake Horse Power (BHP) is for one blower motor package only. Operation in this zone will likely exceed FLA limits.

Note: Airflow performance includes effect of clean, standard filter supplied with unit.

* See page 30 for installation details.

ELECTRICAL DATA

Standard Electrical Specifications							Optional Factory Installed VFD Electrical Specifications		
HP	Volts	HZ	Phase	FLA per motor	Min. Cir. Amps	Max. Overcurrent Protection Device	FLA per motor	Min. Cir. Amps	Max. Overcurrent Protection Device
2.0	208-230	60	Single	10.8-10.0	24.3	35	6.6-5.8	28.3	30
	208-230	60	Three	6.6-5.8	14.9	20	6.6-5.8	16.3	20
	460	60	Three	2.9	6.5	15	2.9	7.2	15
	575	60	Three	2.4	5.4	15	2.4	5.9	15

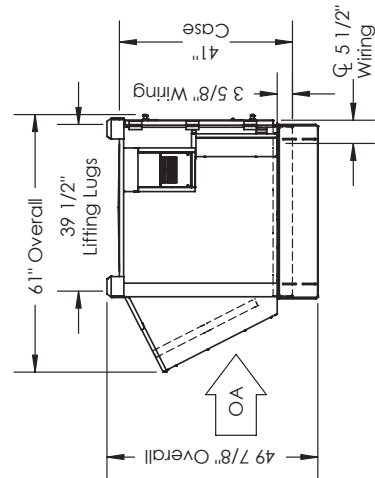
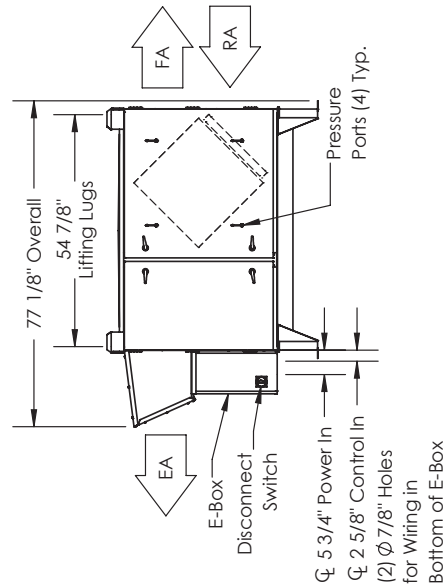
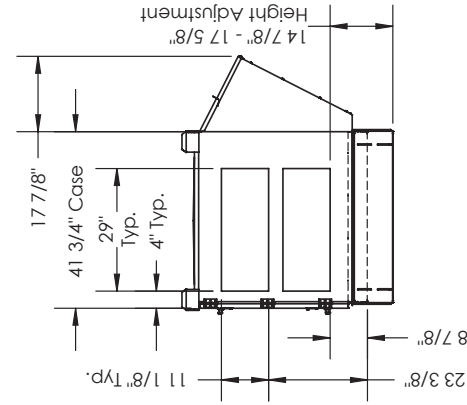
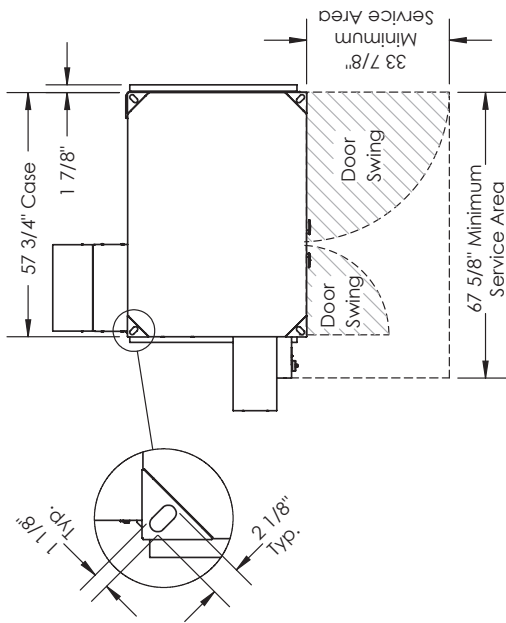
Specifications may be subject to change without notice.

HE2XRTC Energy Recovery Ventilator Standard

ABBREVIATION
 EA: Exhaust Air to outside
 OA: Outside Air intake
 RA: Room Air to be exhausted
 FA: Fresh Air to inside

INSTALLATION ORIENTATION
 Unit must be installed in orientation shown.

NOTE:
 1. UNLESS OTHERWISE SPECIFIED, DIMENSIONS ARE ROUNDED TO THE NEAREST EIGHTH OF AN INCH.
 2. SPECIFICATIONS MAY BE SUBJECT TO CHANGE WITHOUT NOTICE.



RIGHT VIEW

FRONT VIEW

LEFT VIEW

UNIT MOUNTING & APPLICATION
 Must be mounted as shown. Airstreams can not be switched.



AIRFLOW CONFIGURATION
 Available as shown in dimension drawing.

