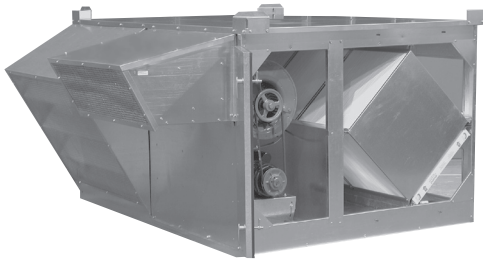


HE 4XRTC

Energy Recovery Ventilator Standard



ROOFTOP UNIT
Direct Connect



Download specification at:
renewaire.com/specifications

SPECIFICATIONS

Ventilation Type:
Static plate, heat and humidity transfer

Typical Airflow Range: 2,500-3,900 CFM

AHRI 1060 Certified Core: Four L125-G5

Standard Features:
TEFC Premium efficiency motors
Motor starters
Non-fused disconnect
24 VAC transformer/relay package
Cross-core differential pressure ports

Filters:
Total qty. 8, MERV 8: (4) 20" x 20" x 2" and
(4) 16" x 20" x 2"

Unit Dimensions & Weight:
81 1/4" L x 83 1/4" W x 48 1/4" H
887-1,169 lbs., varies by option(s)

Max. Shipping Dimensions & Weight (on pallet):
80" L x 90" W x 80" H
1,300 lbs.

Motor(s):
Qty. 2, 5.0 HP ea., Belt drive blower/standard motor packages with adjustable sheaves

Options:
Onboard variable frequency drives (VFDs) - one or both airstreams
Shaft grounding ring on motors with VFDs
Fused disconnect
Integrated programmable controls - enhanced, premium
Qty. 2, Factory mounted filter alarms - both airstreams
Double wall construction
Exterior paint - white, custom colors

Accessories:
Filters - MERV 13, 2" (shipped loose)
RTC transition kit - for vertical RTU, for horizontal RTU
Rooftop RTC transition paint - white, custom colors
Digital time clock - wall mount (TC7D-W), in exterior enclosure (TC7D-E)
Carbon dioxide sensor/control - wall mount (CO2-W), duct mount (CO2-D)
IAQ sensor - wall mount (IAQ-W), duct mount (IAQ-D)
Motion occupancy sensor/control - ceiling mount (MC-C), wall mount (MC-W)
Smoke Detector - duct mount (SD-D)

Note: Electric Duct Heater and Indirect Gas-Fired Duct Furnace are not available on RTC units.

AIRFLOW PERFORMANCE

	Blower RPM Nominal	Sheave Adj. Turns Open	Tie-In Directly to Rooftop A/C Unit*						Unit Ducted Independently*							
			Static Pressure in Adjacent Air Handler (Inches Water Column)						External Static Pressure (Inches Water Column)							
			-0.75		-0.5		-0.25		0.0		+0.25		+0.5		+0.75	
			CFM	BHP	CFM	BHP	CFM	BHP	CFM	BHP	CFM	BHP	CFM	BHP	CFM	BHP
Exhaust Air	1510	0	3400	3.1	3700	3.3	4000	3.6	4250	4.1	4000	3.6	3700	3.3	3400	3.1
	1465	1	3275	3.0	3600	3.2	3925	3.4	4225	3.8	3925	3.4	3600	3.2	3275	3.0
	1420	2	3125	2.8	3450	2.9	3775	3.0	4156	3.6	3775	3.0	3450	2.9	3125	2.8
	1375	3	2935	2.3	3300	2.5	3665	2.8	4067	3.4	3665	2.8	3300	2.5	2935	2.3
	1330	4	2780	2.0	3150	2.3	3520	2.5	3900	3.1	3520	2.5	3150	2.3	2780	2.0
	1285	5	2685	1.6	3050	2.0	3415	2.4	3760	2.8	3415	2.4	3050	2.0	2685	1.6
	1240	6	2620	1.4	2950	1.7	3280	2.0	3600	2.4	3280	2.0	2950	1.7	2620	1.4
Fresh Air	1825	0													3245	5.0
	1770	1											3225	4.9	3125	4.6
	1715	2							3450	4.8	3275	4.6	3140	4.5	3005	4.3
	1660	3	3920	5.0	3760	5.0	3600	5.0	3360	4.5	3180	4.1	3060	4.0	2940	3.9
	1605	4	3790	4.6	3670	4.6	3550	4.7	3270	4.1	3090	3.7	2970	3.7	2850	3.7
	1550	5	3724	4.2	3582	4.3	3440	4.5	3190	3.6	3010	3.4	2890	3.3	2770	3.3
	1495	6	3680	4.2	3500	4.1	3320	3.9	3100	3.5	2910	2.9	2790	2.8	2670	2.8

Note: Brake Horse Power (BHP) is for one blower motor package only. Operation in this zone will likely exceed FLA limits.

Note: Airflow performance includes effect of clean, standard filter supplied with unit.

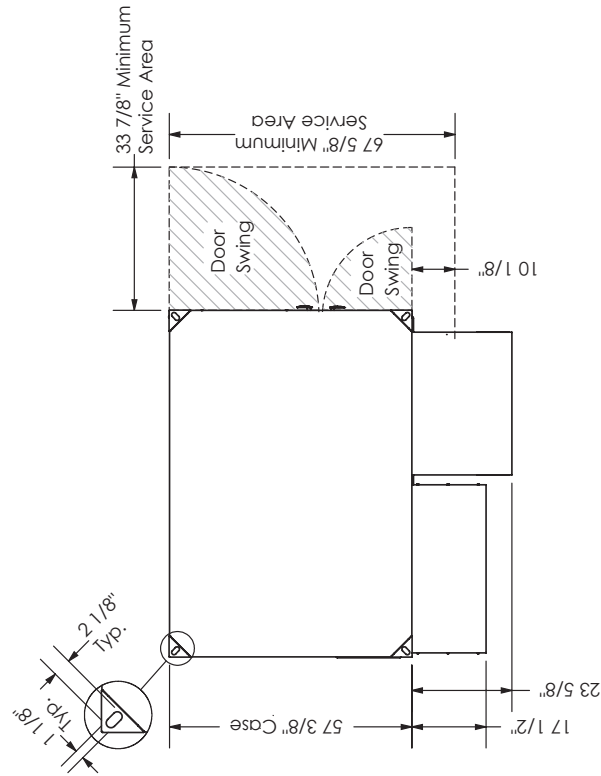
* See page 38 for installation details.

ELECTRICAL DATA

Standard Electrical Specifications							Optional Factory Installed VFD Electrical Specifications		
HP	Volts	HZ	Phase	FLA per motor	Min. Cir. Amps	Max. Overcurrent Protection Device	FLA per motor	Min. Cir. Amps	Max. Overcurrent Protection Device
5.0	208-230	60	Three	14.5-13.4	32.6	45	14.5-13.4	35.9	45
	460	60	Three	6.7	15.1	20	6.7	16.6	20
	575	60	Three	5.3	11.9	15	5.3	13.1	15

Specifications may be subject to change without notice.

HE4XRTC Energy Recovery Ventilator Standard



ABBREVIATIONS

- EA: Exhaust Air to outside
- OA: Outside Air Intake
- RA: Room Air to be exhausted
- FA: Fresh Air to inside

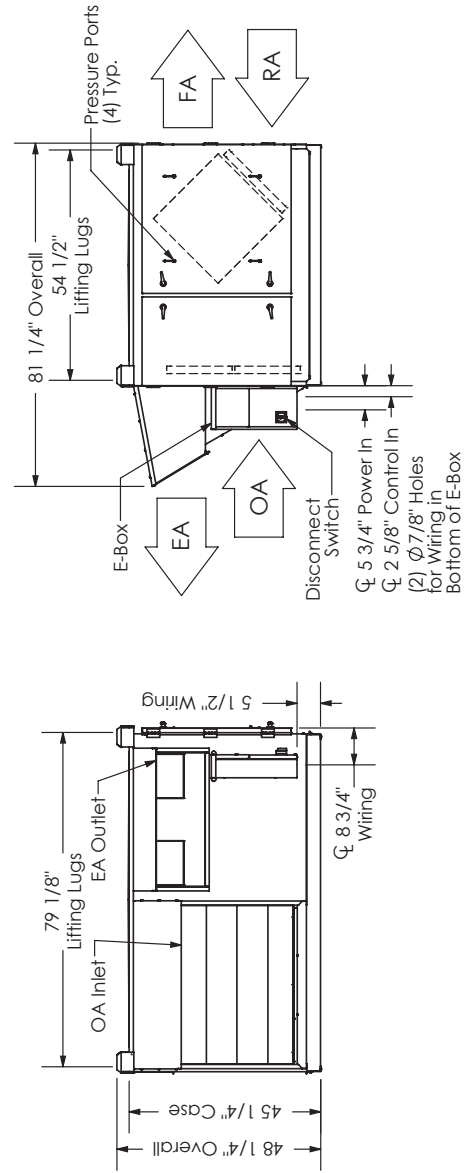
INSTALLATION ORIENTATION

Unit must be installed in orientation shown.

NOTE:

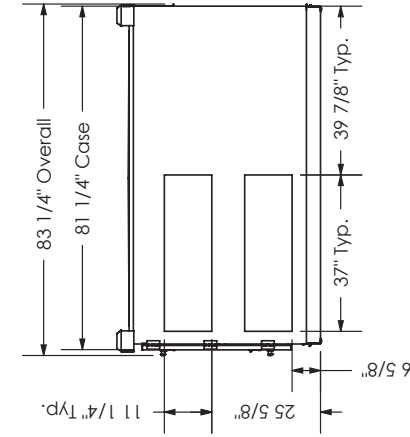
1. UNLESS OTHERWISE SPECIFIED, DIMENSIONS ARE ROUNDED TO THE NEAREST EIGHTH OF AN INCH.
2. SPECIFICATIONS MAY BE SUBJECT TO CHANGE WITHOUT NOTICE.

TOP VIEW



LEFT VIEW

FRONT VIEW



RIGHT VIEW

AIRFLOW CONFIGURATION
Available as shown in dimension drawing.

UNIT MOUNTING & APPLICATION
Must be mounted as shown. Airstreams can not be switched.

