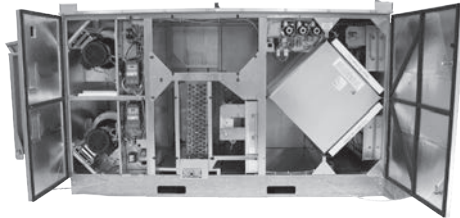


# RD 2XRT

## Dedicated Outdoor Air System Standard



### ROOFTOP UNIT with Bypass and Optional Coils



Download specification at:  
[renewaire.com/specifications](http://renewaire.com/specifications)

### SPECIFICATIONS

**Ventilation Type:**

Static plate, heat and humidity transfer

**Typical Airflow Range:** 500-2,200 CFM

**AHRI 1060 Certified Core:** Two L125-G5

**Standard Features:**

- TEFC Premium efficiency motors
- Bypass economizer with enthalpy control
- Variable frequency drives
- Non-fused disconnect
- Motorized isolation dampers - OA, RA
- Cross-core differential pressure ports

**Inlets/Outlets:** 14" x 24"

**Filters:**

- Total qty. 5, MERV 8:
- RA: (2) 20" x 20" x 2"
- OA: (2) 20" x 20" x 2", (1) 20" x 14" x 2"

**Unit Dimensions & Weight:**

- 131 3/4" L x 58 1/2" W x 55" H
- 1,093-1,360 lbs., varies by option(s)

**Max. Shipping Dimensions & Weight (on pallet):**

- 114" L x 94" W x 62" H
- 1,550 lbs.

**Motor & Qty:**

Qty. 2, 2.0 HP ea., Direct-drive DWDI centrifugal blowers, with standard Premium efficiency inverter-rated motors. (see table below)

**Options:**

- DX, heat pump, or water coil
- Additional water reheat coil
- Fused disconnect
- Integrated programmable controls - enhanced, premium
- Factory mounted filter alarms - both airstreams
- Double wall construction
- Exterior paint - white, custom colors

**Accessories:**

- Filters - MERV 13, 2" (shipped loose)
- Roof curb - standard 14"
- Curb wind clip
- Digital time clock - wall mount (TC7D-W), in exterior enclosure (TC7D-E)
- Carbon dioxide sensor/control - wall mount (CO2-W), duct mount (CO2-D)
- IAQ sensor - wall mount (IAQ-W), duct mount (IAQ-D)
- Motion occupancy sensor/control - ceiling mount (MC-C), wall mount (MC-W)
- Smoke Detector - duct mount (SD-D)
- Electric duct heater - EK series (1-175 kW); designed for indoor ductwork installation only
- Indirect gas-fired duct furnace - GH series (50-400 MBH), installed downstream of any fans

### AIRFLOW PERFORMANCE WITHOUT COIL(S)

Blower VFD Hertz Setting	Unit Esp (In.H <sub>2</sub> O) And Power Consumption (Watts Per Airstream)													
	500 CFM		750 CFM		1000 CFM		1250 CFM		1500 CFM		1750 CFM		2000 CFM	
	ESP	WATTS	ESP	WATTS	ESP	WATTS	ESP	WATTS	ESP	WATTS	ESP	WATTS	ESP	WATTS
60 Hertz	1.8	534	1.7	674	1.6	783	1.5	890	1.2	1020	0.9	1200	0.5	1458
55 Hertz	1.6	482	1.4	576	1.3	666	1.1	769	0.8	902	0.5	1083	0.0	1328
50 Hertz	1.2	392	1.1	470	1.0	549	0.8	639	0.5	749	0.0	887		
45 Hertz	0.9	325	0.8	394	0.6	475	0.4	568	0.1	671				

**Note:** Airflow performance includes effect of clean, standard filter supplied with unit.

### ELECTRICAL DATA

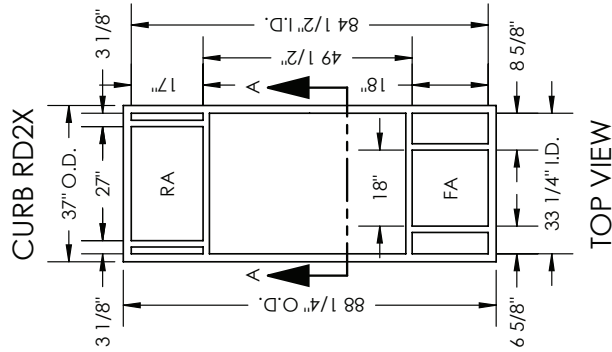
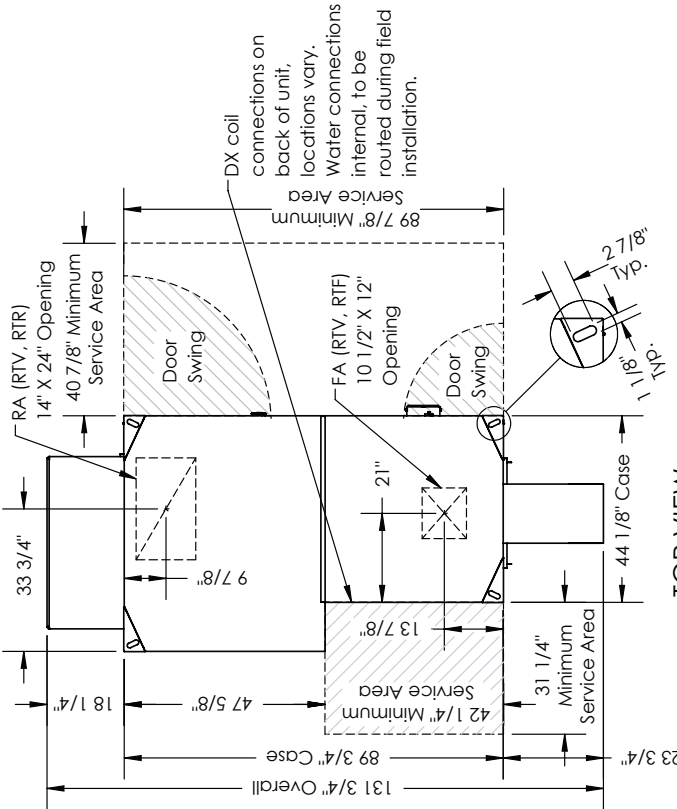
Electrical Specifications							
HP	Volts	Phase	Min. Cir. Amps.	Max. Overcurrent Protection Device	FLA per VFD	FLA per motor	Motor Efficiency
2.0	208-230	Single	21.4	30	9.5	6.0-5.8	86.5%
2.0	208-230	Three	18.2	20	8.1	6.0-5.8	86.5%
2.0	460	Three	9.2	15	4.1	2.9	86.5%
2.0	575	Three	7.2	15	3.2	2.3	84.0%

Available Coil Selections - Performance shown at 2000 CFM			
Type	Air Side Pressure Drop (in.w.g.)*	Leaving Air Temp (°F)*	Coil (# Rows/FPI)
DX (Single- or Double-Circuit)	0.5 max	As low as 54	5 rows/14 FPI
Heat Pump (Single- or Double-Circuit)	0.6 max	As low as 54 (cooling mode) As high as 96 (heating mode)	4 rows/14 FPI
Water	0.5 max	As low as 54 (cooling mode) As high as 115 (heating mode), 140 EWT	5 rows/14 FPI
Water Reheat	0.1 max	As high as 97, 180 EWT	1 row/16 FPI

\* Depending on coil selected and operating conditions. For complete performance specifications of available coils, see RD IOM Book 2 "Specifications". Custom Coils also available.

Specifications may be subject to change without notice.

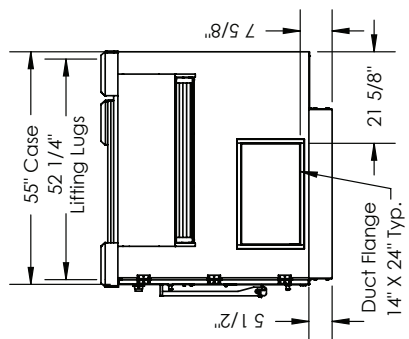
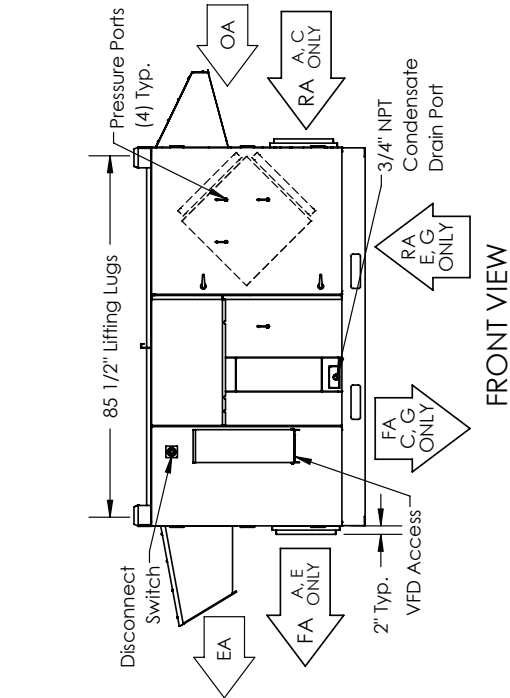
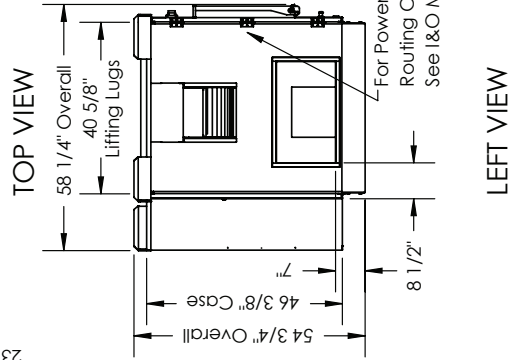
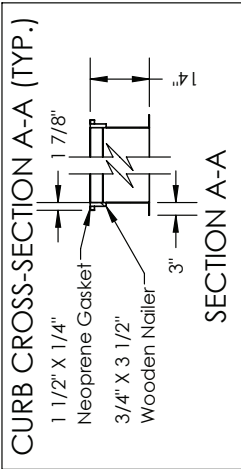




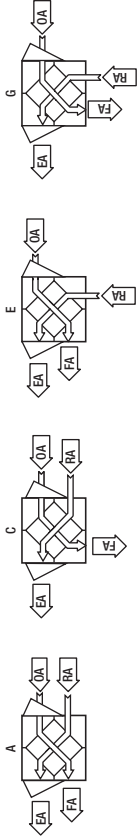
**ABBREVIATION**  
 EA: Exhaust Air to outside  
 OA: Outside Air intake  
 RA: Room Air to be exhausted  
 FA: Fresh Air to inside  
 A: Rooftop Horizontal RA & FA  
 C: Rooftop Vertical RA Only  
 E: Rooftop Vertical RA Only  
 G: Rooftop Vertical RA & FA

**INSTALLATION ORIENTATION**  
 Unit must be installed in orientation shown.

**NOTE:**  
 1. UNLESS OTHERWISE SPECIFIED, DIMENSIONS ARE ROUNDED TO THE NEAREST EIGHTH OF AN INCH.  
 2. SPECIFICATIONS MAY BE SUBJECT TO CHANGE WITHOUT NOTICE.



**AIRFLOW CONFIGURATION**  
 Available as shown:



**UNIT MOUNTING & APPLICATION**  
 Must be mounted as shown. Airstreams can not be switched. Duct configuration is field convertible.