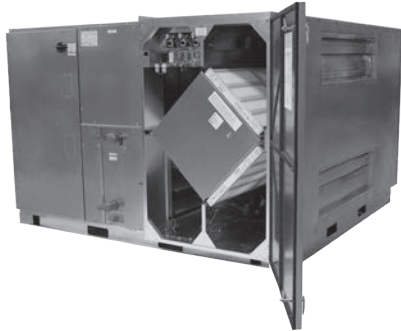


RD 4XIN

Dedicated Outdoor Air System Standard



INDOOR UNIT
with Bypass and Optional Coils



Download specification at:
renewaire.com/specifications

SPECIFICATIONS

Ventilation Type:

Static plate, heat and humidity transfer

Typical Airflow Range: 1,000-4,250 CFM

AHRI 1060 Certified Core: Four L125-G5

Standard Features:

- TEFC Premium efficiency motors
- Bypass economizer with enthalpy control
- Variable frequency drives
- Non-fused disconnect
- Motorized isolation dampers - OA, RA
- Cross-core differential pressure ports

Inlets/Outlets: 14" x 48"

Filters:

- Total qty. 12, MERV 8:
- RA: (4) 20" x 20" x 2", (2) 20" x 14" x 2"
- OA: (4) 20" x 20" x 2", (2) 20" x 14" x 2"

Unit Dimensions & Weight:

- 97" L x 108" W x 62 1/2" H
- 1,885-2,514 lbs., varies by option(s)

Max. Shipping Dimensions & Weight (on pallet):

- 114" L x 94" W x 72" H
- 2,750 lbs.

Motor(s):

Qty. 2, 5.0 HP ea., Direct-drive DWDI centrifugal blowers, with standard Premium efficiency inverter-rated three-phase motors. (see table below)

Options:

- DX, heat pump, or water coil
- Additional water reheat coil
- Fused disconnect
- Integrated programmable controls - enhanced, premium
- Factory mounted filter alarms - both airstreams
- Double wall construction
- Exterior paint - white, custom colors

Accessories:

- Filters - MERV 13, 2" (shipped loose)
- Digital time clock - wall mount (TC7D-W), in exterior enclosure (TC7D-E)
- Carbon dioxide sensor/control - wall mount (CO2-W), duct mount (CO2-D)
- IAQ sensor - wall mount (IAQ-W), duct mount (IAQ-D)
- Motion occupancy sensor/control - ceiling mount (MC-C), wall mount (MC-W)
- Smoke Detector - duct mount (SD-D)
- Electric duct heater - EK series (1-175 kW)
- Indirect gas-fired duct furnace - GH series (50-400 MBH), installed downstream of any fans

AIRFLOW PERFORMANCE WITHOUT COIL(S)

Blower VFD Setting	RPM	Unit Esp (In.H ₂ O) And Power Consumption (Watts Per Airstream)													
		1500 CFM		2000 CFM		2500 CFM		3000 CFM		3500 CFM		4000 CFM		4250 CFM	
		ESP	WATTS	ESP	WATTS	ESP	WATTS	ESP	WATTS	ESP	WATTS	ESP	WATTS	ESP	WATTS
60 Hertz	1160					2.2	1860	2.0	2320	1.7	2860	1.3	3490	1.0	3840
55 Hertz	1063			2.0	1310	1.9	1640	1.7	2040	1.3	2520	0.7	3070	0.2	3370
50 Hertz	967	1.6	960	1.5	1180	1.4	1460	1.2	1810	0.7	2220	0.2	2700		
45 Hertz	870	1.2	840	1.1	1040	0.9	1300	0.5	1620	0.2	2000				

Note: Airflow performance includes effect of clean, standard filter supplied with unit.

ELECTRICAL DATA

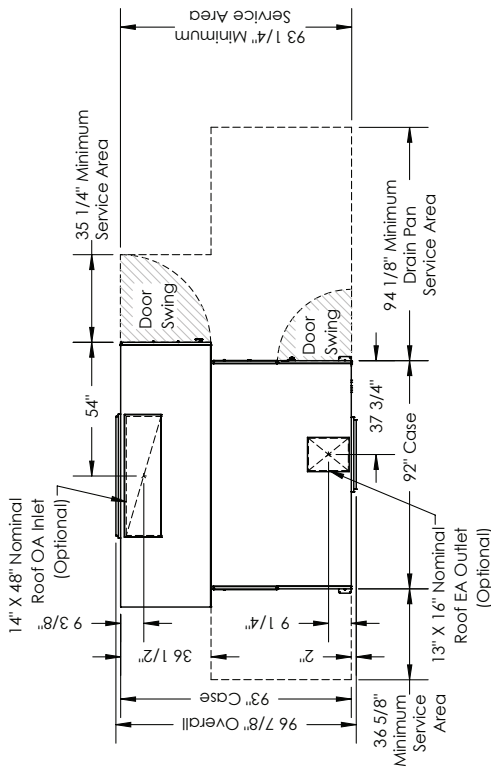
Electrical Specifications							
HP	Volts	Phase	Min. Cir. Amps.	Max. Overcurrent Protection Device	FLA per VFD	FLA per motor	Motor Efficiency
5.0	208-230	Three	41.8	50	18.6	15.0-14.0	89.5%
5.0	460	Three	20.9	25	9.3	7.0	89.5%
5.0	575	Three	15.5	20	6.9	5.6	89.5%

Available Coil Selections - Performance shown at 4,000 CFM			
Type	Air Side Pressure Drop (in.w.g.)*	Leaving Air Temp (°F)*	Coil (# Rows/FPI)
DX (Single- or Double-Circuit)	0.4 max	As low as 52	5 rows/14 FPI
Heat Pump (Single- or Double-Circuit)	0.5 max	As low as 52 (cooling mode) As high as 104 (heating mode)	6 rows/14 FPI
Water	0.5 max	As low as 55 (cooling mode) As high as 117 (heating mode), 140 EWT	5 rows/14 FPI
Water Reheat	0.1 max	As high as 103, 180 EWT	1 row/16 FPI

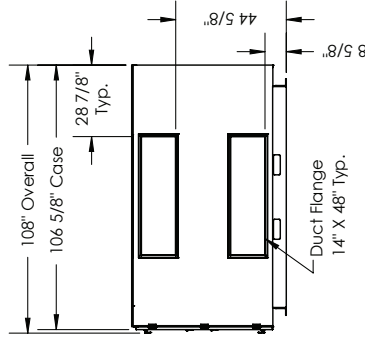
* Depending on coil selected and operating conditions. For complete performance specifications of available coils, see RD IOM Book 2 "Specifications". Custom Coils also available.

Specifications may be subject to change without notice.

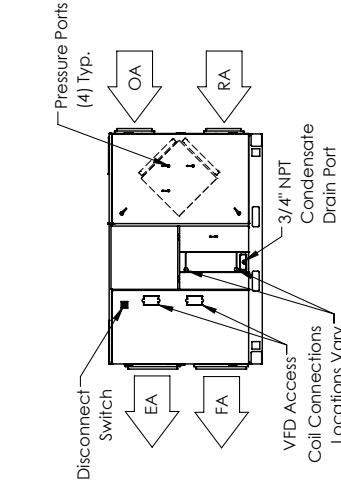
RD4XIN Dedicated Outdoor Air System Standard



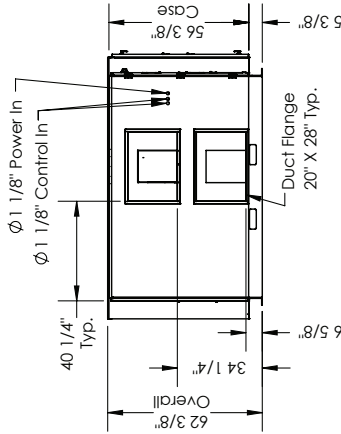
TOP VIEW



RIGHT VIEW



FRONT VIEW



LEFT VIEW

ABBREVIATION
 EA: Exhaust Air to outside
 OA: Outside Air intake
 RA: Room Air to be exhausted
 FA: Fresh Air to inside

INSTALLATION ORIENTATION
 Unit must be installed in orientation shown.

NOTE:
 1. UNLESS OTHERWISE SPECIFIED, DIMENSIONS ARE ROUNDED TO THE NEAREST EIGHTH OF AN INCH.
 2. SPECIFICATIONS MAY BE SUBJECT TO CHANGE WITHOUT NOTICE.

AIRFLOW CONFIGURATION

Available as shown:



UNIT MOUNTING & APPLICATION
 Must be mounted as shown. Airstreams can not be switched. Duct configuration is field convertible.

