

# SL 70H

INDOOR UNIT

**NEW**

## Energy Recovery Ventilator EC Motor Standard



Download specification at:  
[renewaire.com/specifications](http://renewaire.com/specifications)

### SPECIFICATIONS

**Ventilation Type:**  
Static plate, heat and humidity transfer

**Continuous Operation Airflow:** 51-76 CFM  
**Boost Mode Airflow:** 76-94 CFM

**Unit is HVI Tested/Certified per CSA C439 Protocol:** Using one L-30 G5 Core

**Standard Features:**  
Unit may be mounted in any orientation  
Low-voltage circuit for controls  
Hard wiring in electrical box  
Dial-A-Flow - balance and airflow adjustment  
Variable speed  
Boost mode  
Cross-core differential pressure ports  
Gray painted cabinet

**Controls:**  
Onboard digital controller with independent variable speeds

**Filters:**  
Total qty. 2, MERV 8, spun-polyester media:  
7 1/2" x 10 1/2" x 1"

**Unit Dimensions & Weight:**  
27 1/4" L x 20 3/8" W x 9 1/2" H  
32 lbs.

**Max. Shipping Dimensions & Weight (in carton):**  
29 1/2" L x 22 1/2" W x 11 1/2" H  
38 lbs.

**Motor(s):**  
Qty. 2, 48V DC motorized impeller packages

**Accessories:**  
Backdraft damper 6"  
Wall cap 6" - white, brown  
Digital time clock - wall mount (TC7D-W),  
in exterior enclosure (TC7D-E)  
Carbon dioxide sensor/control - wall mount (CO2-W)  
IAQ sensor - wall mount (IAQ-W)  
Motion occupancy sensor/control -  
ceiling mount (MC-C), wall mount (MC-W)  
Percentage timer control (PTL)  
Percentage timer control with furnace interlock (FM)  
Push-button point-of-use controls (PBL), PTL req'd.  
MERV 13 filter - OA airstream  
Wall bracket kit  
Electric duct heater - RH series (1-4 kW);  
designed for indoor ductwork installation only

**Note:** Indirect Gas-Fired Duct Furnace is not available on the SL70H.

### EC MOTOR OPERATING RANGE

Sample Points Depicted in Larger Dots			
Airflow (CFM)	External Static Pressure (Inches Water Column)	Unit Power Consumption (Watts)	
Continuous Mode	82	0.1	62
	77	0.2	60
	72	0.3	59
	67	0.4	58
	61	0.5	56
	54	0.6	54
	45	0.7	51
Boost Mode	34	0.8	47
	108	0.1	104
	102	0.2	102
	95	0.3	100
	91	0.4	99
	89	0.5	97
	85	0.6	96
	81	0.7	94
	76	0.8	92
	70	0.9	89
61	1.0	85	

**Note:** Watts is for the entire unit.

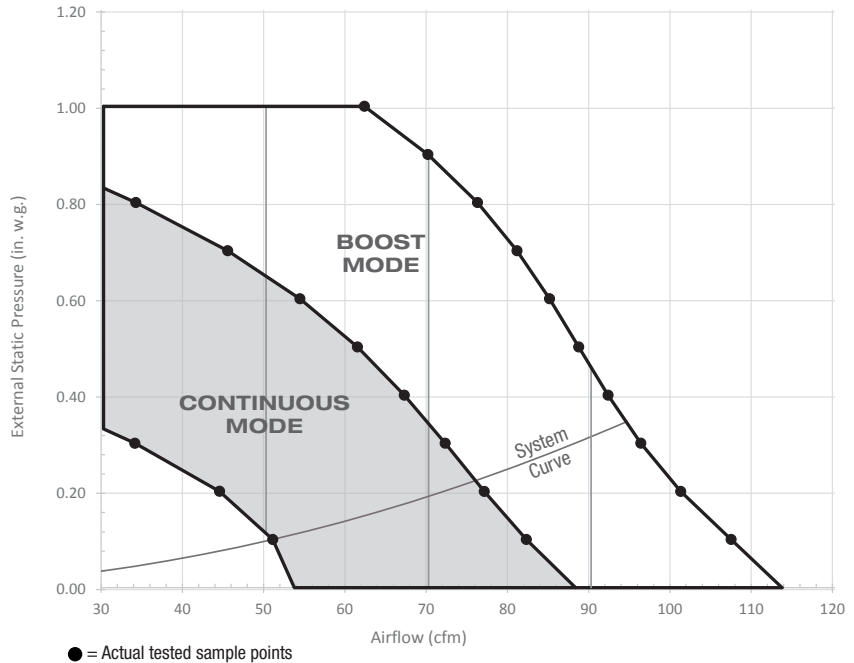
**Note:** Airflow performance includes effect of clean, standard filter supplied with unit.

**Note:** Refer to CORES for specific operating point electrical data.

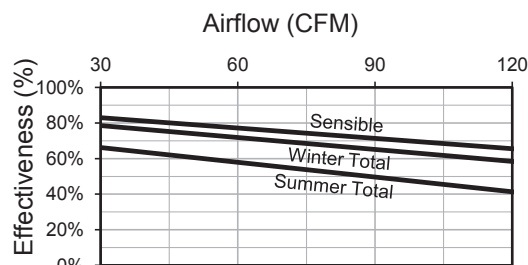
### ELECTRICAL DATA

Watts	Volts	HZ	Phase	FLA per motor	Min. Cir. Amps	Max. Overcurrent Protection Device
96	120	60	1	2	10	15

Specifications may be subject to change without notice.



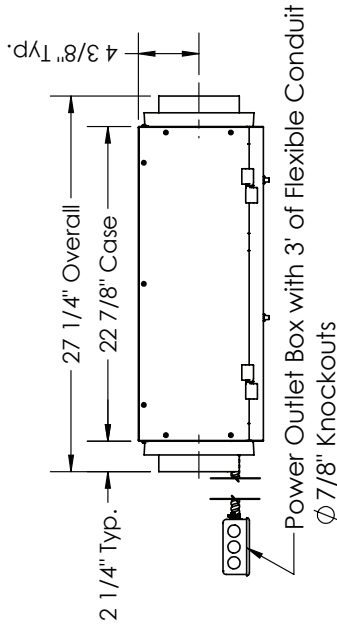
### CORE PERFORMANCE



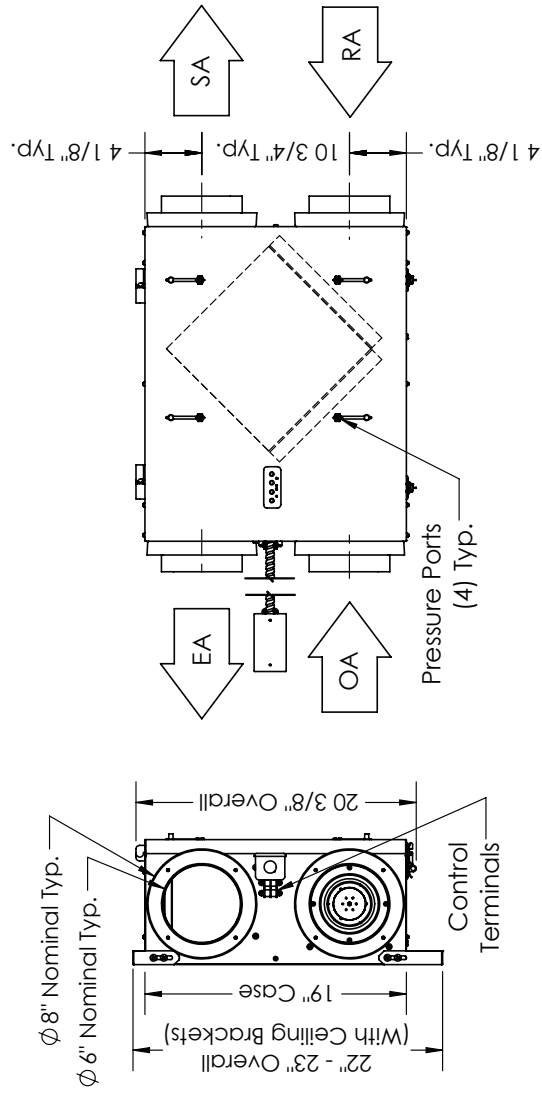
At AHRI 1060 standard conditions. See all AHRI certified ratings at [www.ahrinet.org](http://www.ahrinet.org).

\* See performance ratings per CSA C439 on page 25 of RenewAire's Single/Multi-Family Catalog.

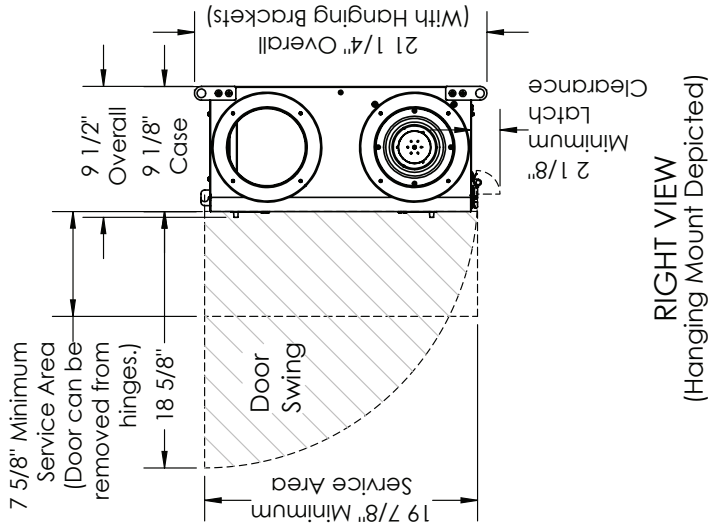
# SL70H Energy Recovery Ventilator EC Motor Standard



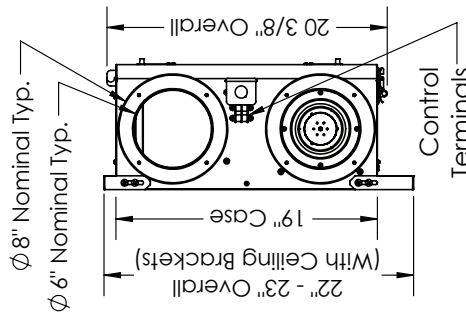
TOP VIEW



FRONT VIEW



RIGHT VIEW



LEFT VIEW  
(Hard Mount Depicted)

**ABBREVIATIONS**  
EA: Exhaust Air to outside  
OA: Outside Air intake  
RA: Room Air to be exhausted  
FA: Fresh Air to inside

**INSTALLATION ORIENTATION**  
Unit may be installed in any orientation.

**NOTE**  
1. UNLESS OTHERWISE SPECIFIED, DIMENSIONS ARE ROUNDED TO THE NEAREST EIGHTH OF AN INCH.  
2. SPECIFICATIONS MAY BE SUBJECT TO CHANGE WITHOUT NOTICE.



**AIRFLOW CONFIGURATION**  
Available as shown in dimension drawing.



**UNIT MOUNTING & APPLICATION**  
Can be mounted in any orientation. RA/EA airstream can be switched with OA/FA airstream.