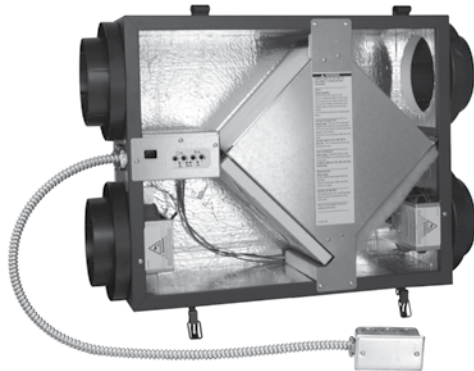


# SL 70H

INDOOR UNIT



Download specification at:  
renewaire.com/specifications

## Energy Recovery Ventilator EC Motor Standard



### SPECIFICATIONS

**Ventilation Type:**  
Static plate, heat and humidity transfer

**Continuous Operation Airflow:** 51-76 CFM  
**Boost Mode Airflow:** 76-94 CFM

**Unit is HVI Tested/Certified per CSA C439**  
**Protocol:** Using one L-30-G5 Core

**Standard Features:**  
Gray painted cabinet  
Hard wiring in junction box  
Low-voltage circuit for controls  
Unit may be mounted in any orientation  
Cross-core differential pressure ports  
Dial-A-Flow - balance and airflow adjustment  
Variable speed  
Boost mode

**Controls:**  
Onboard digital controller with independent variable speeds

**Filters:**  
Total qty. 2, MERV 8, spun-polyester media:  
7 1/2" x 10 1/2" x 1"

**Unit Dimensions & Weight:**  
27 1/4" L x 20 3/8" W x 9 1/2" H  
32 lbs.

**Max. Shipping Dimensions & Weight (in carton):**  
29 1/2" L x 22 1/2" W x 11 1/2" H  
38 lbs.

**Motor(s):**  
Qty. 2, 48V DC motorized impeller packages

**Accessories:**  
Backdraft damper 6", 8"  
Automatic balancing damper 4", 5", 6"  
Louvered wall vent 6" - white, brown  
Digital time clock - wall mount (TC7D-W),  
in exterior enclosure (TC7D-E)  
Carbon dioxide sensor/control - wall mount (CO2-W)  
IAQ sensor - wall mount (IAQ-W)  
Motion occupancy sensor/control -  
ceiling mount (MC-C), wall mount (MC-W)  
Push-button boost timer (PBT)  
Percentage timer control (PTL)  
Percentage timer control with furnace interlock (FM)  
Push-button point-of-use controls (PBL), PTL req'd.  
MERV 13 filter - OA airstream (shipped loose)  
Wall bracket kit  
Electric duct heater - RH series (1-3 kW);  
designed for indoor ductwork installation only

**Note:** Indirect Gas-Fired Duct Furnace is not available on the SL70H.

### EC MOTOR OPERATING RANGE

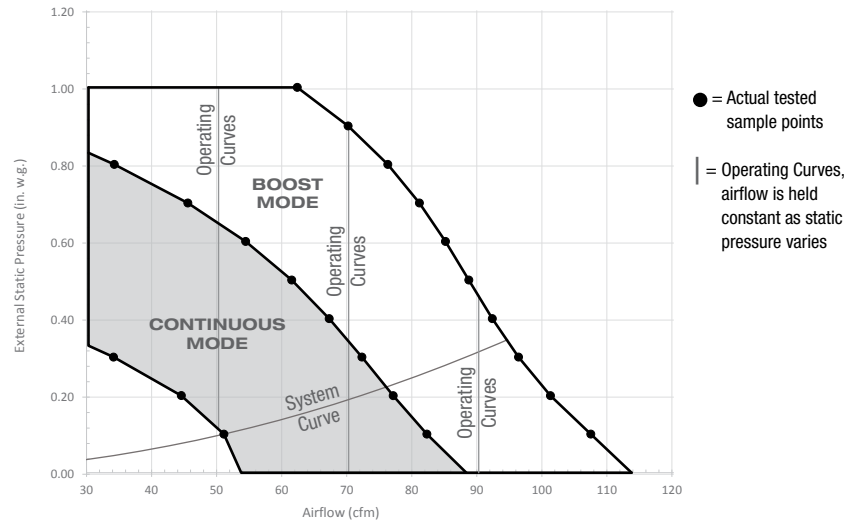
Sample Points Depicted in Larger Dots			
Airflow (CFM)	External Static Pressure (Inches Water Column)	Unit Power Consumption (Watts)	
Continuous Mode	82	0.1	62
	77	0.2	60
	72	0.3	59
	67	0.4	58
	61	0.5	56
	54	0.6	54
	45	0.7	51
	34	0.8	47
Boost Mode	108	0.1	104
	102	0.2	102
	95	0.3	100
	91	0.4	99
	89	0.5	97
	85	0.6	96
	81	0.7	94
	76	0.8	92
70	0.9	89	
61	1.0	85	

**Note:** Watts is for the entire unit.  
**Note:** Airflow performance includes effect of clean, standard filter supplied with unit.  
**Note:** Refer to CORES for specific operating point electrical data.

### ELECTRICAL DATA

Watts	Volts	HZ	Phase	FLA per motor	Min. Cir. Amps	Max. Overcurrent Protection Device
96	120	60	1	2	10	15

Specifications may be subject to change without notice.

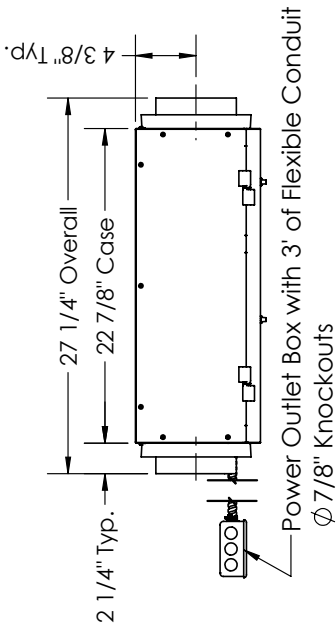


### CORE PERFORMANCE

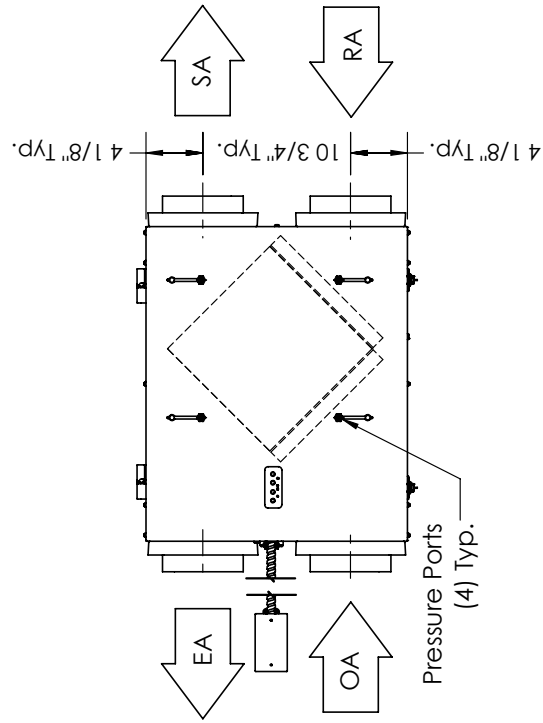
Continuous Mode			Boost Mode		
Airflow (CFM)	Sensible EFF%	Total EFF% Winter/Summer*	Airflow (CFM)	Sensible EFF%	Total EFF% Winter/Summer*
82	73	67/52	108	68	61/44
77	74	68/53	102	69	62/46
72	75	69/55	95	71	64/48
67	76	70/56	91	71	65/49
61	77	72/58	89	72	65/50
54	78	73/60	85	72	66/51
45	80	75/62	81	73	67/52
34	82	78/65	76	74	68/53
			70	75	70/55
			61	77	72/58

**Note:** These are core-only ratings and are not HVI certified.  
HVI ratings apply to complete units only.  
See HVI certification ratings on pg. 30 of Single/Multi-Family Catalog.

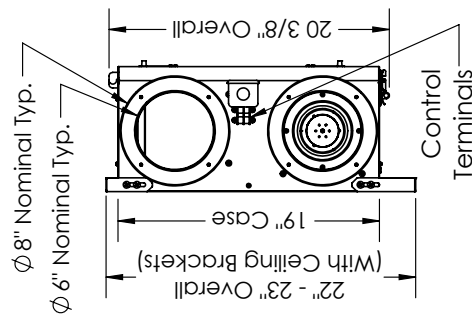
# SL70H Energy Recovery Ventilator EC Motor Standard



TOP VIEW



FRONT VIEW



LEFT VIEW  
(Hard Mount Depicted)

**ABBREVIATIONS**

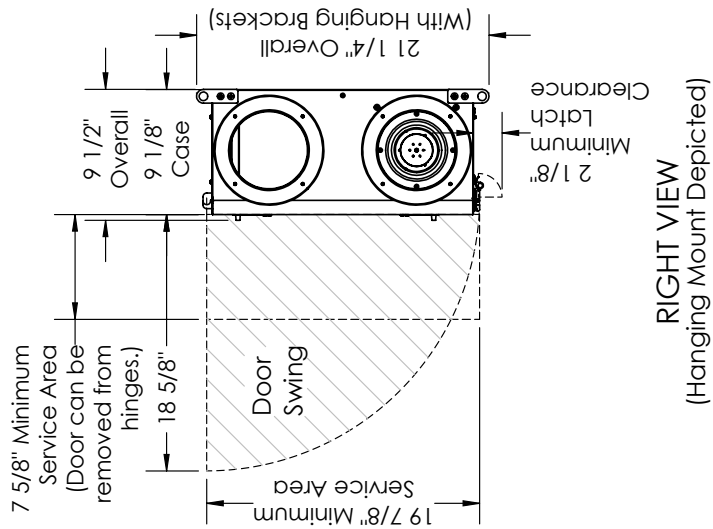
- EA: Exhaust Air to outside
- OA: Outside Air intake
- RA: Room Air to be exhausted
- SA: Supply Air to inside

**INSTALLATION ORIENTATION**

Unit may be installed in any orientation.

**NOTE**

1. UNLESS OTHERWISE SPECIFIED, DIMENSIONS ARE ROUNDED TO THE NEAREST EIGHTH OF AN INCH.
2. SPECIFICATIONS MAY BE SUBJECT TO CHANGE WITHOUT NOTICE.



RIGHT VIEW  
(Hanging Mount Depicted)

**AIRFLOW ORIENTATION**  
Available as shown in dimension drawing.



**UNIT MOUNTING & APPLICATION**  
Can be mounted in any orientation. RA/EA airstream can be switched with OA/FA airstream.