

SL 70L

INDOOR UNIT

NEW

Energy Recovery Ventilator EC Motor Standard



Download specification at:
renewaire.com/specifications

SPECIFICATIONS

Ventilation Type:
Static plate, heat and humidity transfer

Continuous Operation Airflow: 51-76 CFM
Boost Mode Airflow: 76-94 CFM

Unit is HVI Tested/Certified per CSA C439
Protocol: Using one L-30 G5 Core

Standard Features:
Unit may be mounted in any orientation
Low-voltage circuit for controls
Line-cord power supply
Dial-A-Flow - balance and airflow adjustment
Variable speed
Boost mode
Cross-core differential pressure ports
Gray painted cabinet

Controls:
Onboard digital controller with independent variable speeds

Filters:
Total qty. 2, MERV 8, spun-polyester media:
7 1/2" x 10 1/2" x 1"

Unit Dimensions & Weight:
27 1/4" L x 20 3/8" W x 9 1/2" H
32 lbs.

Max. Shipping Dimensions & Weight (in carton):
29 1/2" L x 22 1/2" W x 11 1/2" H
38 lbs.

Motor(s):
Qty. 2, 48V DC motorized impeller packages

Accessories:
Backdraft damper 6"
Wall cap 6" - white, brown
Digital time clock - wall mount (TC7D-W),
in exterior enclosure (TC7D-E)
Carbon dioxide sensor/control - wall mount (CO2-W)
IAQ sensor - wall mount (IAQ-W)
Motion occupancy sensor/control -
ceiling mount (MC-C), wall mount (MC-W)
Percentage timer control (PTL)
Percentage timer control with furnace interlock (FM)
Push-button point-of-use controls (PBL), PTL req'd.
MERV 13 filter - OA airstream
Wall bracket kit
Electric duct heater - RH series (1-4 kW);
designed for indoor ductwork installation only

Note: Indirect Gas-Fired Duct Furnace is not available on the SL70L.

EC MOTOR OPERATING RANGE

Sample Points Depicted in Larger Dots			
Airflow (CFM)	External Static Pressure (Inches Water Column)	Unit Power Consumption (Watts)	
Continuous Mode	82	0.1	62
	77	0.2	60
	72	0.3	59
	67	0.4	58
	61	0.5	56
	54	0.6	54
	45	0.7	51
Boost Mode	34	0.8	47
	108	0.1	104
	102	0.2	102
	95	0.3	100
	91	0.4	99
	89	0.5	97
	85	0.6	96
	81	0.7	94
	76	0.8	92
	70	0.9	89
61	1.0	85	

Note: Watts is for the entire unit.

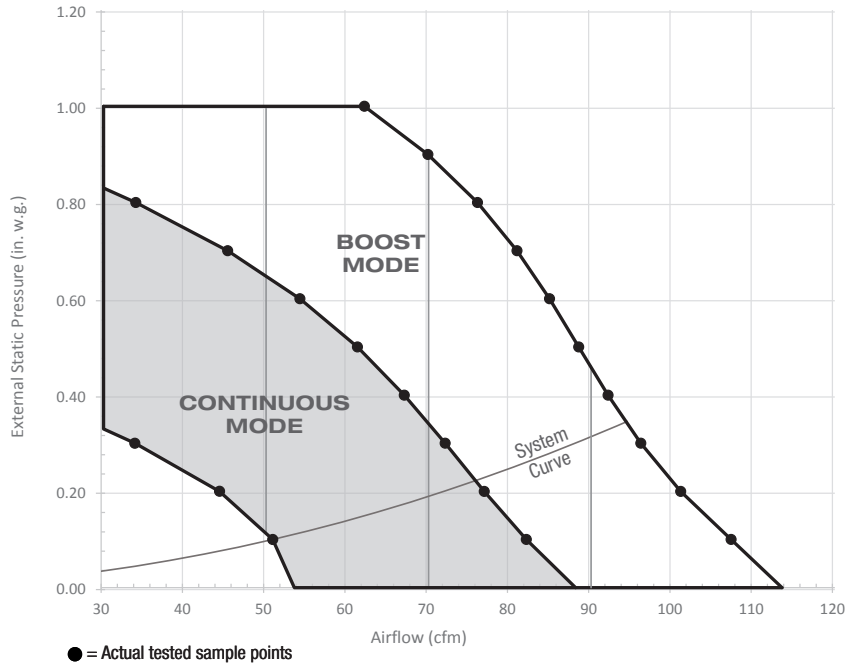
Note: Airflow performance includes effect of clean, standard filter supplied with unit.

Note: Refer to CORES for specific operating point electrical data.

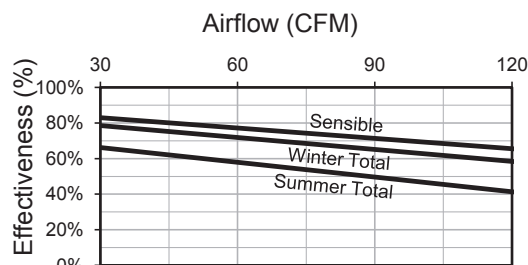
ELECTRICAL DATA

Watts	Volts	HZ	Phase	FLA per motor	Min. Cir. Amps	Max. Overcurrent Protection Device
96	120	60	1	2	10	15

Specifications may be subject to change without notice.



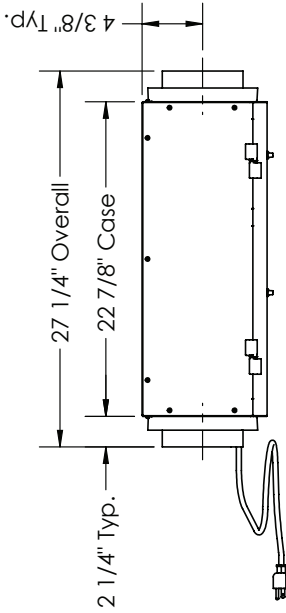
CORE PERFORMANCE



At AHRI 1060 standard conditions. See all AHRI certified ratings at www.ahrinet.org.

* See performance ratings per CSA C439 on page 25 of RenewAire's Single/Multi-Family Catalog.

SL70L Energy Recovery Ventilator EC Motor Standard

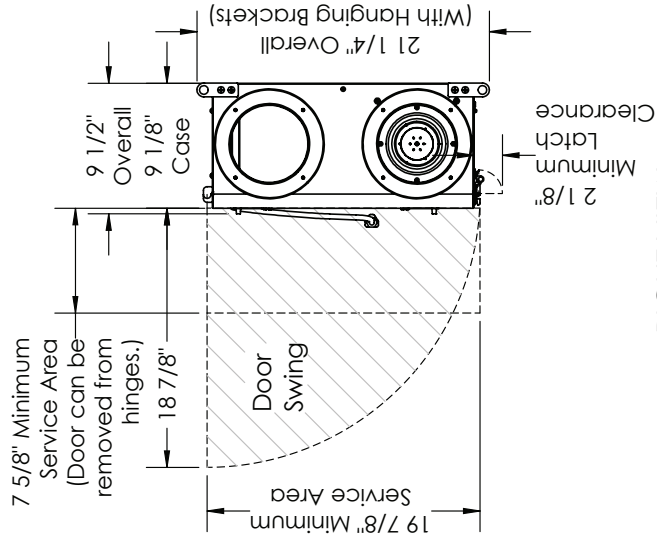


TOP VIEW

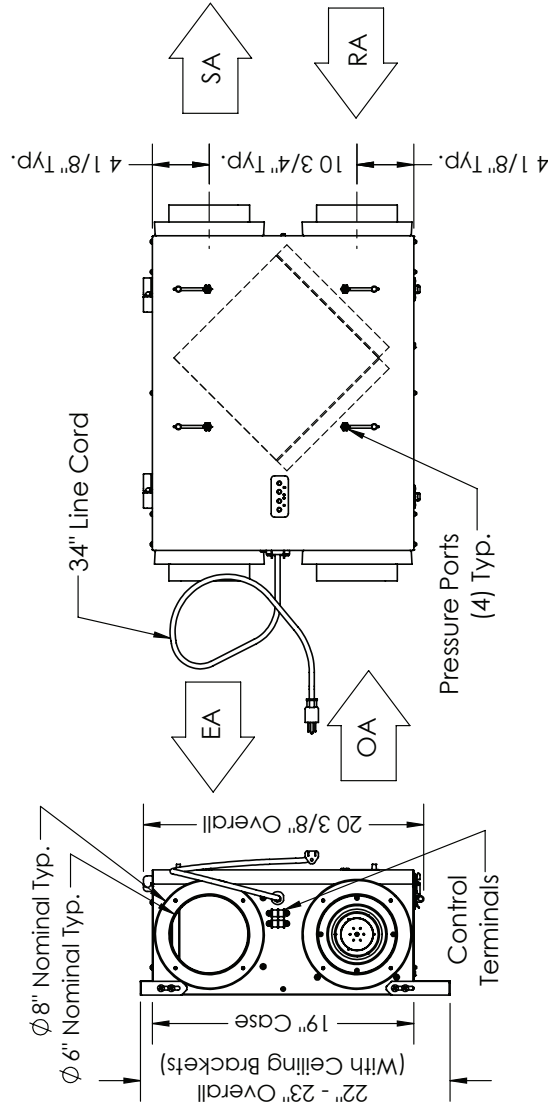
ABBREVIATIONS
 EA: Exhaust Air to outside
 OA: Outside Air intake
 RA: Room Air to be exhausted
 FA: Fresh Air to inside

INSTALLATION ORIENTATION
 Unit may be installed in any orientation.

NOTE
 1. UNLESS OTHERWISE SPECIFIED, DIMENSIONS ARE ROUNDED TO THE NEAREST EIGHTH OF AN INCH.
 2. SPECIFICATIONS MAY BE SUBJECT TO CHANGE WITHOUT NOTICE.



RIGHT VIEW
 (Hanging Mount Depicted)



FRONT VIEW

LEFT VIEW
 (Hard Mount Depicted)

AIRFLOW CONFIGURATION
 Available as shown in dimension drawing.



UNIT MOUNTING & APPLICATION
 Can be mounted in any orientation. RA/EA airstream can be switched with OA/FA airstream.