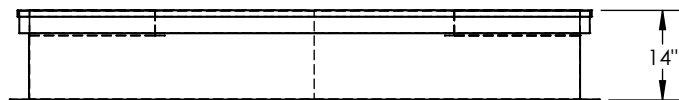
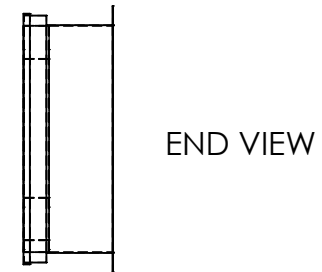
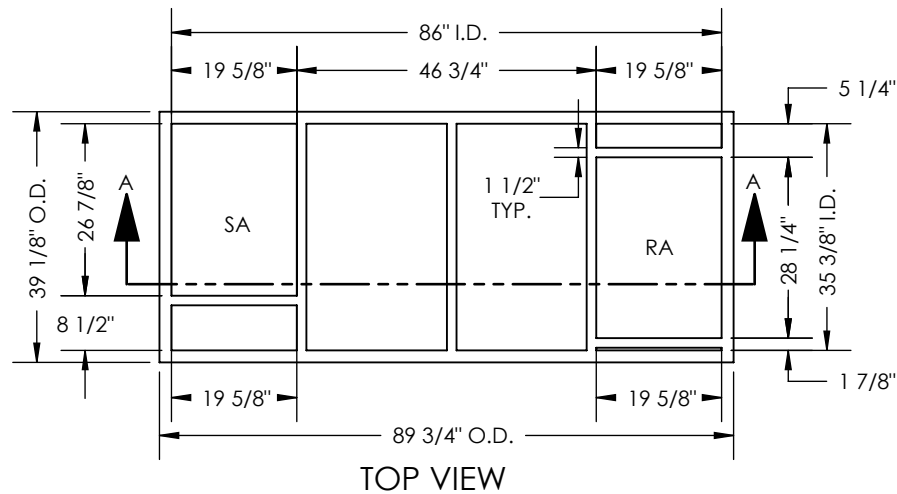


DUCT SUPPORT DIMENSIONS
 WIDTH: 1 1/2" DEPTH: 3"

RA: Room Air to be exhausted
 SA: Supply Air to inside

DN2RT
 CURB DN2-ERV+C/H



CURB CROSS-SECTION A-A (TYP.)

