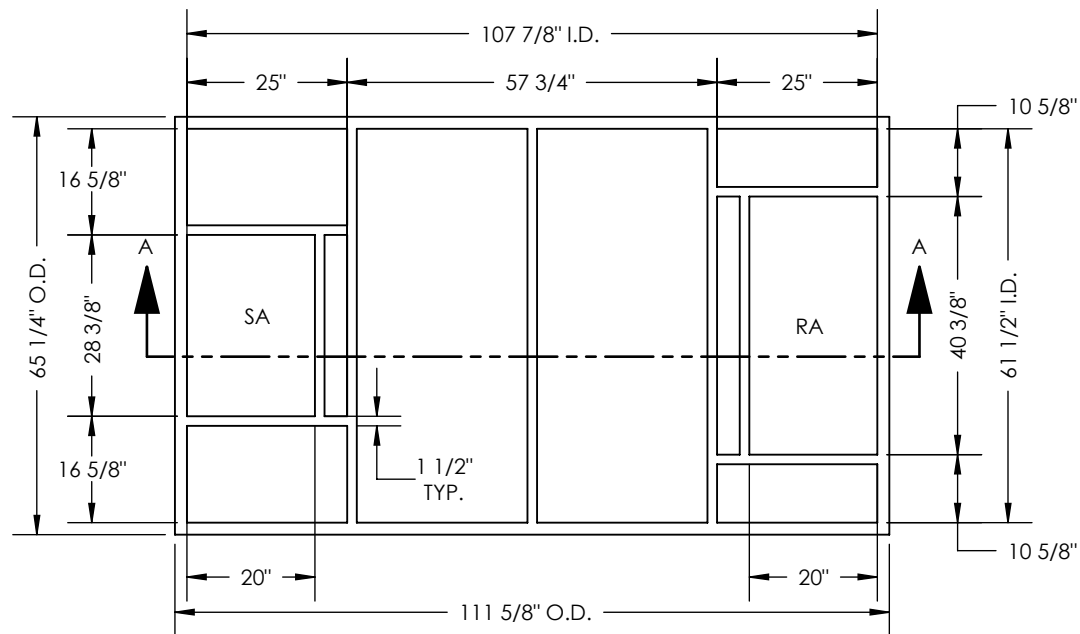


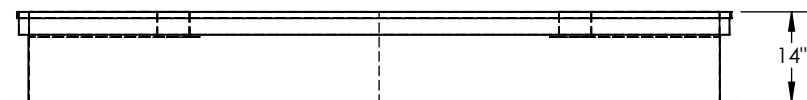
DUCT SUPPORT DIMENSIONS
 WIDTH: 1 1/2" DEPTH: 3"

RA: Room Air to be exhausted
 SA: Supply Air to inside

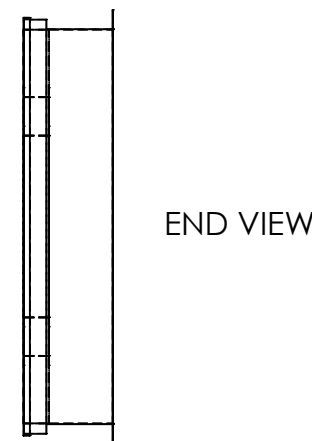
DN3RT
 CURB DN3-ERV+H



TOP VIEW



FRONT VIEW



CURB CROSS-SECTION A-A (TYP.)

