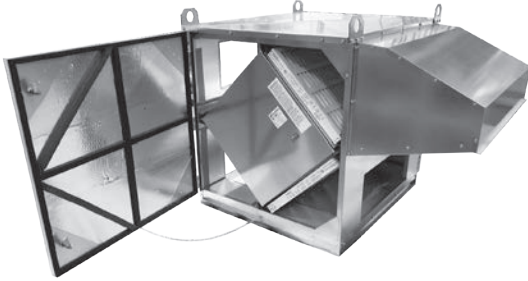


CA OUTDOOR Energy Recovery Module



ROOFTOP UNITS Modular Cabinets



Download specification at:
renewaire.com/specifications

SPECIFICATIONS

Ventilation Type:
Static plate, heat and humidity transfer

Standard Features:
Insulated sheet metal cabinets with energy exchange cores and filters.
Blower not included and must be specified to meet job requirements.

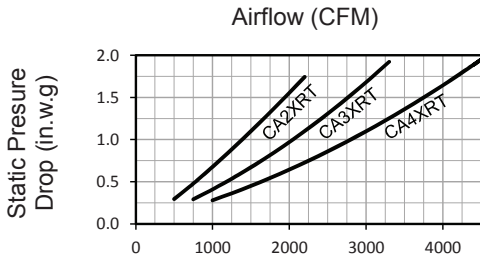
Insulation:
One inch, high density, FSK faced, fiberglass

Options:
Double wall construction
Exterior paint - white, custom colors

Accessories:
Roof curb - standard 14"
Filters - MERV 13, 2" (shipped loose)

Description	CA2XRT	CA3XRT	CA4XRT
Typical Airflow Range CFM	500-2,200	750-3,300	1,000-4,400
AHRI 1060 Certified Core	Two L125-G5	Three L125-G5	Four L125-G5
Unit Dimensions & Weight	55 1/2" L x 43 1/4" W x 42 1/4" H 250-329 lbs.	55 1/2" L x 63 1/2" W x 42 1/2" H 377-482 lbs.	55 1/2" L x 83 1/4" W x 42 1/4" H 462-593 lbs.
Max. Shipping Dimensions & Weight (on pallet)	63" L x 47" W x 48" H 400 lbs.	60" L x 90" W x 48" H 590 lbs.	60" L x 90" W x 48" H 700 lbs.
Filters: MERV 8: 20" x 20" x 2"	Total qty. 4	Total qty. 6	Total qty. 8

AIRFLOW PERFORMANCE



Note: Airflow performance includes effect of clean, standard filter supplied with unit.

CA4XRT Energy Recovery Module

ABBREVIATIONS

- EA: Exhaust Air to outside
- OA: Outside Air intake
- RA: Room Air to be exhausted
- FA: Fresh Air to inside

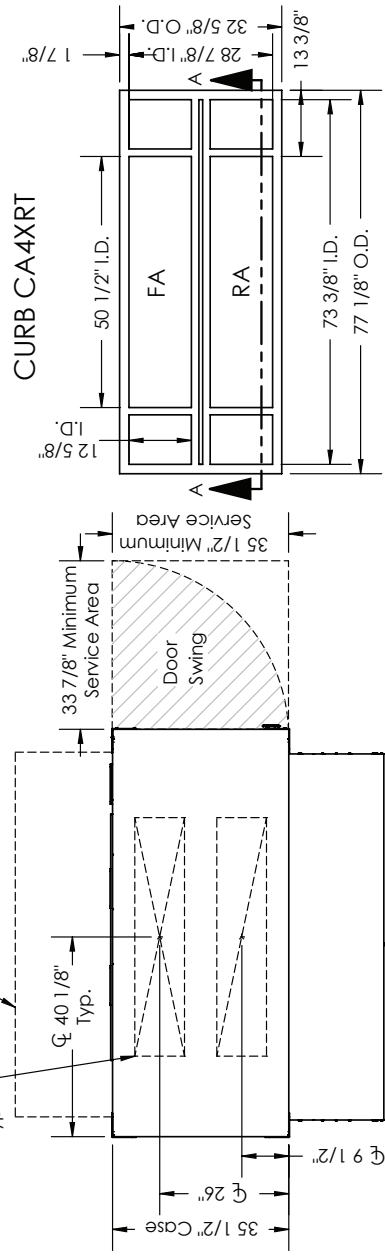
INSTALLATION ORIENTATION

Unit must be installed in orientation shown.

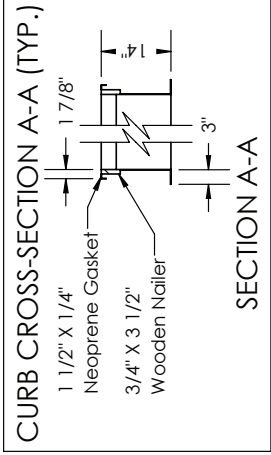
NOTE

1. UNLESS OTHERWISE SPECIFIED, DIMENSIONS ARE ROUNDED TO THE NEAREST EIGHTH OF AN INCH.
2. SPECIFICATIONS MAY BE SUBJECT TO CHANGE WITHOUT NOTICE.

Alternate Hood Location, if hood location switched, plug existing mounting holes on opposite side of unit to prevent leakage.

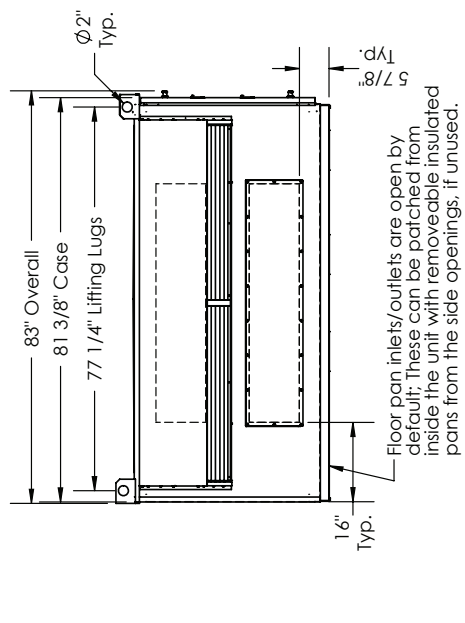


TOP VIEW

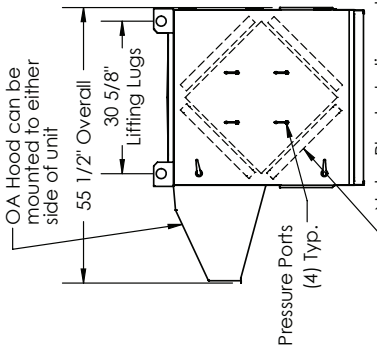


SECTION A-A

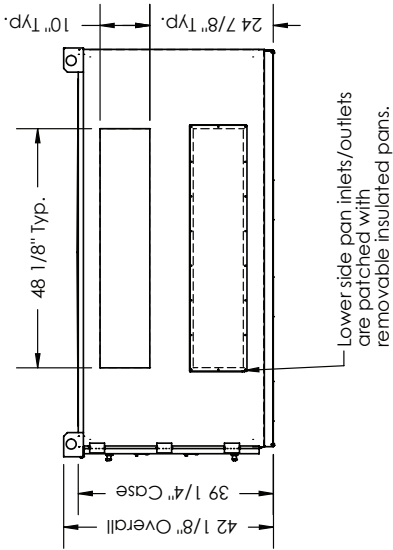
TOP VIEW



LEFT VIEW



FRONT VIEW



RIGHT VIEW

Note: Pleated, disposable 20" X 20" X 2" filters are provided for installation and are interchangeable based on your airflow path requirements. Filters are to be mounted upstream of the core in the direction of airflow entering the unit.

AIRFLOW CONFIGURATION

Available as shown in dimension drawing.

UNIT MOUNTING & APPLICATION



Must be mounted as shown. Duct configuration is field convertible. Weather hood can be moved in the field. RA/EA airstream can be switched with OAVFA airstream.