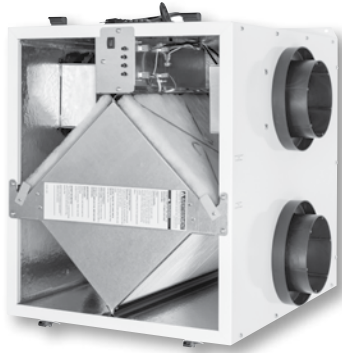


EV PREMIUM L

INDOOR UNIT NEW

Energy Recovery Ventilator EC Motor Standard



Download specification at:
renewaire.com/specifications

SPECIFICATIONS

Ventilation Type:
Static plate, heat and humidity transfer

Typical Airflow Range: 30-280 CFM

Unit is HVI Tested/Certified per CSA C439 Protocol: Using one L-100-G5 Core

Standard Features:
White painted cabinet
Line-cord power supply
Low-voltage circuit for controls
Unit may be mounted in any orientation
Cross-core differential pressure ports
Dial-A-Flow - balance and airflow adjustment
Variable speed
Boost mode

Controls:
Onboard digital controller with independent variable speeds

Filters:
Total qty. 2, MERV 8, spun-polyester media:
10 1/2" x 21 3/4" x 1"

Unit Dimensions & Weight:
23 3/4" L x 18" W x 24 1/4" H
52 lbs.

Max. Shipping Dimensions & Weight (in carton):
33" L x 22" W x 29" H
66 lbs.

Motor(s):
Qty. 2, 115V EC motorized impeller packages

Accessories:
Backdraft damper 6", 8"
Automatic balancing damper 4", 5", 6"
Louvered wall vent 6" - white, brown
Digital time clock - wall mount (TC7D-W), in exterior enclosure (TC7D-E)
Carbon dioxide sensor/control - wall mount (CO2-W), duct mount (CO2-D)
IAQ sensor - wall mount (IAQ-W), duct mount (IAQ-D)
Motion occupancy sensor/control - ceiling mount (MC-C), wall mount (MC-W)
Push-button boost timer (PBT)
Percentage timer control (PTL)
Percentage timer control with furnace interlock (FM)
Push-button point-of-use controls (PBL), PTL req'd.
Dehumidistat control (DH24)
MERV 13 filter - OA airstream (shipped loose)
Electric duct heater - RH series (1-8 kW); designed for indoor ductwork installation only

EC MOTOR OPERATING RANGE

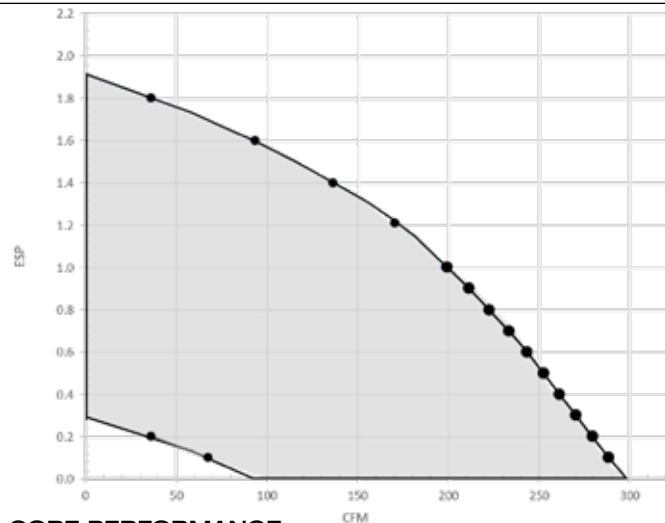
Sample Points Depicted in Larger Dots		
Airflow (CFM)	External Static Pressure (Inches Water Column)	Unit Power Consumption (Watts)
Max. Speed		
288	0.1	177
280	0.2	178
269	0.3	179
261	0.4	180
252	0.5	180
244	0.6	180
233	0.7	179
222	0.8	179
212	0.9	178
199	1.0	176
170	1.2	170
136	1.4	160
93	1.6	142
36	1.8	110
Min. Speed		
67	0.1	19
36	0.2	17

Note: Watts is for the entire unit.
Note: Airflow performance includes effect of clean, standard filter supplied with unit.
Note: Refer to CORES for specific operating point electrical data.

ELECTRICAL DATA

Watts	Volts	HZ	Phase	FLA per motor	Min. Cir. Amps	Max. Overcurrent Protection Device
85	120	60	1	1.22	10	10

Note: Indirect Gas-Fired Duct Furnace is not available on the EV Premium.



CORE PERFORMANCE

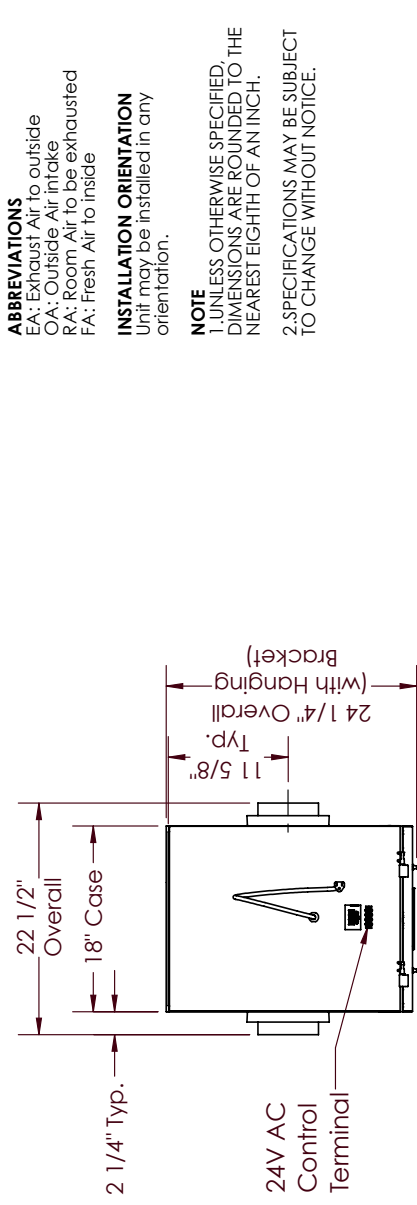
Airflow (CFM)	Sensible EFF%	Total EFF% Winter/Summer*
Max. Speed		
288	71	63/45
280	71	64/46
269	72	65/47
261	72	65/48
252	73	66/49
244	73	67/50
233	74	68/51
222	75	69/52
212	75	69/53
199	76	70/54
170	78	73/57
136	80	75/60
93	83	79/64
36	86	83/69
Min. Speed		
67	85	81/67
36	86	83/69

Note: These are core-only ratings and are not HVI certified.
HVI ratings apply to complete units only.
See HVI certification ratings on pg. 30 of Single/Multi-Family Catalog.

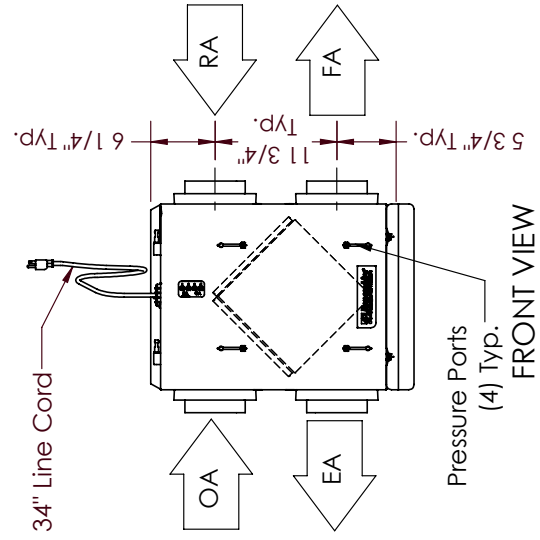
Specifications may be subject to change without notice.



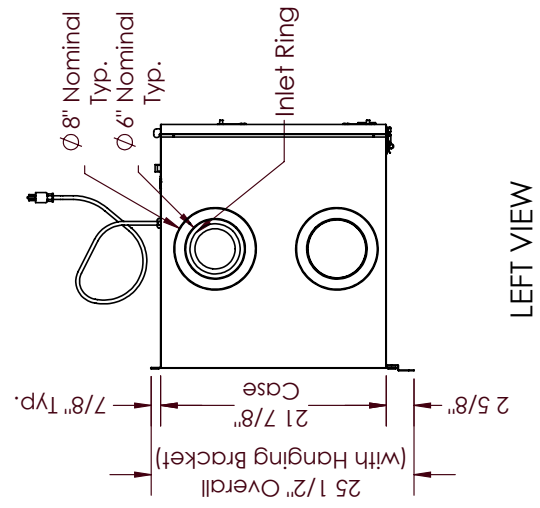
EV Premium L Energy Recovery Ventilator EC Motor Standard



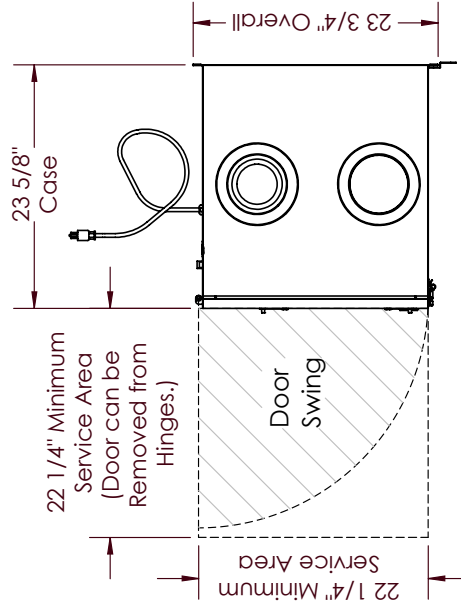
TOP VIEW



FRONT VIEW



LEFT VIEW



RIGHT VIEW

ABBREVIATIONS
EA: Exhaust Air to outside
OA: Outside Air intake
RA: Room Air to be exhausted
FA: Fresh Air to inside

INSTALLATION ORIENTATION
Unit may be installed in any orientation.

NOTE
1. UNLESS OTHERWISE SPECIFIED, DIMENSIONS ARE ROUNDED TO THE NEAREST EIGHTH OF AN INCH.
2. SPECIFICATIONS MAY BE SUBJECT TO CHANGE WITHOUT NOTICE.

AIRFLOW ORIENTATION
Available as shown in dimension drawing.

UNIT MOUNTING & APPLICATION
Can be mounted in any orientation. RA/EA airstream can be switched with OA/FA airstream.

