



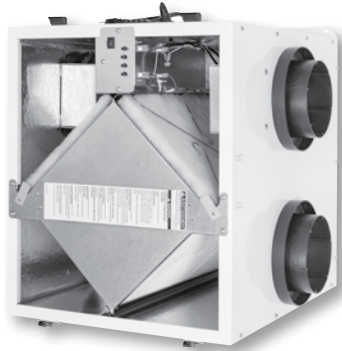
Energy Recovery Ventilator
EC Motor Standard



INDOOR UNIT

NEW

SPECIFICATIONS



EV Premium L shown

Download specification at:
renewaire.com/specifications

Ventilation Type:
Static plate, heat and humidity transfer

Typical Airflow Range: 30-225 CFM

Unit is HVI Tested/Certified per CSA C439 Protocol: Using one L-50-G5 Core

Standard Features:
White painted cabinet
Line-cord power supply
Low-voltage circuit for controls
Unit may be mounted in any orientation
Cross-core differential pressure ports
Dial-A-Flow - balance and airflow adjustment
Variable speed
Boost mode

Controls:
Onboard digital controller with independent variable speeds

Filters:
Total qty. 2, MERV 8, spun-polyester media:
10 1/2" x 10 1/2" x 1"

Unit Dimensions & Weight:
23 3/4" L x 18" W x 13 1/2" H
36 lbs.

Max. Shipping Dimensions & Weight (in carton):
32" L x 22" W x 18" H
48 lbs.

Motor(s):
Qty. 2, 115V EC motorized impeller packages

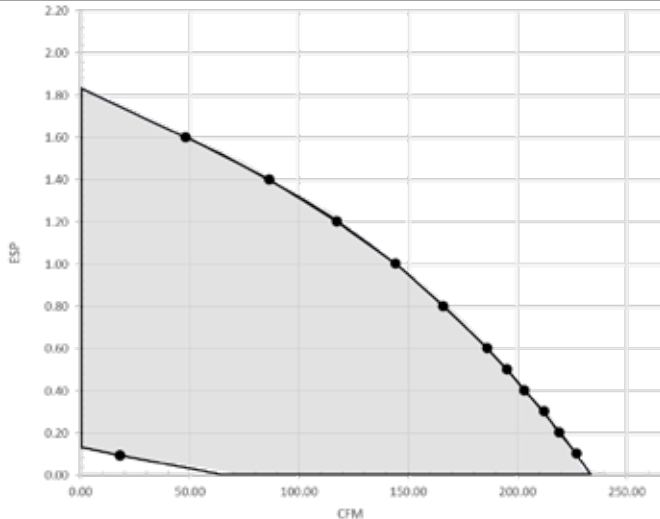
Accessories:
Backdraft damper 6", 8"
Automatic balancing damper 4", 5", 6"
Louvered wall vent 6" - white, brown
Digital time clock - wall mount (TC7D-W),
in exterior enclosure (TC7D-E)
Carbon dioxide sensor/control - wall mount (CO2-W),
duct mount (CO2-D)
IAQ sensor - wall mount (IAQ-W), duct mount (IAQ-D)
Motion occupancy sensor/control -
ceiling mount (MC-C), wall mount (MC-W)
Push-button boost timer (PBT)
Percentage timer control (PTL)
Percentage timer control with furnace interlock (FM)
Push-button point-of-use controls (PBL), PTL req'd.
Dehumidistat control (DH24)
MERV 13 filter - OA airstream (shipped loose)
Electric duct heater - RH series (1-6 kW);
designed for indoor ductwork installation only

Note: Indirect Gas-Fired Duct Furnace is not available on the EV Premium.

EC MOTOR OPERATING RANGE

| Sample Points Depicted in Larger Dots | | |
|---------------------------------------|--|--------------------------------|
| Airflow (CFM) | External Static Pressure (Inches Water Column) | Unit Power Consumption (Watts) |
| Max. Speed | | |
| 233 | 0.1 | 179 |
| 225 | 0.2 | 176 |
| 216 | 0.3 | 177 |
| 210 | 0.4 | 174 |
| 201 | 0.5 | 173 |
| 193 | 0.6 | 172 |
| 184 | 0.7 | 170 |
| 176 | 0.8 | 168 |
| 163 | 0.9 | 166 |
| 150 | 1.0 | 162 |
| 117 | 1.2 | 148 |
| 86 | 1.4 | 134 |
| 48 | 1.6 | 112 |
| Min. Speed | | |
| 18 | 0.1 | 16 |

Note: Watts is for the entire unit.
Note: Airflow performance includes effect of clean, standard filter supplied with unit.
Note: Refer to CORES for specific operating point electrical data.



CORE PERFORMANCE

| Airflow (CFM) | Sensible EFF% | Total EFF% Winter/Summer* |
|-------------------|---------------|---------------------------|
| Max. Speed | | |
| 233 | 58 | 49/26 |
| 225 | 59 | 50/27 |
| 216 | 60 | 51/28 |
| 210 | 61 | 52/30 |
| 201 | 62 | 53/32 |
| 193 | 63 | 54/34 |
| 184 | 64 | 56/36 |
| 176 | 66 | 57/38 |
| 163 | 67 | 59/40 |
| 150 | 69 | 61/42 |
| 117 | 73 | 67/49 |
| 86 | 77 | 72/56 |
| 48 | 82 | 78/63 |
| Min. Speed | | |
| 18 | 86 | 84/71 |

Note: These are core-only ratings and are not HVI certified.
HVI ratings apply to complete units only.
See HVI certification ratings on pg. 30 of Single/Multi-Family Catalog.

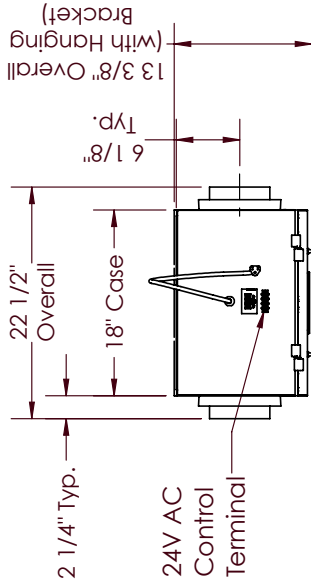
ELECTRICAL DATA

| Watts | Volts | HZ | Phase | FLA per motor | Min. Cir. Amps | Max. Overcurrent Protection Device |
|-------|-------|----|-------|---------------|----------------|------------------------------------|
| 85 | 120 | 60 | 1 | 1.22 | 10 | 10 |

Specifications may be subject to change without notice.



EV Premium M Energy Recovery Ventilator EC Motor Standard



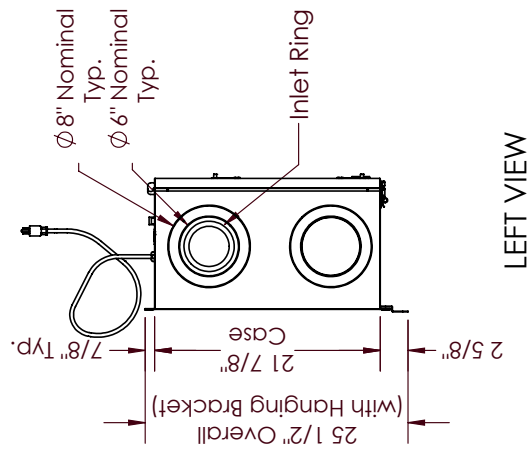
TOP VIEW

ABBREVIATIONS
EA: Exhaust Air to outside
OA: Outside Air intake
RA: Room Air to be exhausted
FA: Fresh Air to inside

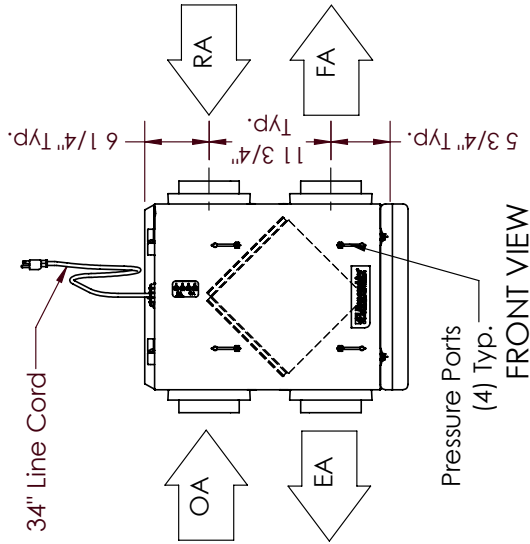
INSTALLATION ORIENTATION
Unit may be installed in any orientation.

NOTE
1. UNLESS OTHERWISE SPECIFIED DIMENSIONS ARE ROUNDED TO THE NEAREST EIGHTH OF AN INCH.

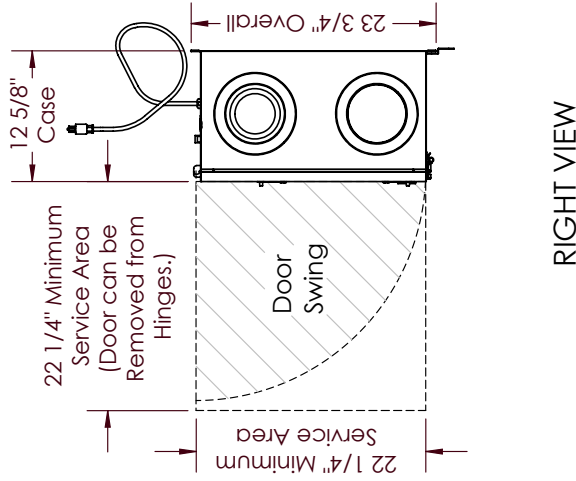
2. SPECIFICATIONS MAY BE SUBJECT TO CHANGE WITHOUT NOTICE.



LEFT VIEW



FRONT VIEW



RIGHT VIEW

AIRFLOW ORIENTATION
Available as shown in dimension drawing.

UNIT MOUNTING & APPLICATION
Can be mounted in any orientation. RA/EA airstream can be switched with OA/FA airstream.