

# SA SERIES

## Energy Recovery Core Array

INDOOR UNIT  
Stackable Array

NEW



### SPECIFICATIONS

**Ventilation Type:**  
Static plate, heat and humidity transfer

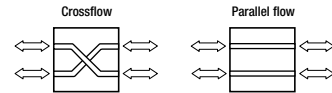
**AHRI 1060 Certified Core:**  
L125-G5 (Quantity varies)

**Standard Features:**  
SA-Series units can be configured from 3H3W to 8H8W  
Blower not included and must be specified to meet job requirements.  
Choice of airflow configuration: parallel flow, crossflow  
Plenum assembly  
Knockdown shipping only  
Insulated dividers between airstreams

### AIRFLOW ORIENTATION



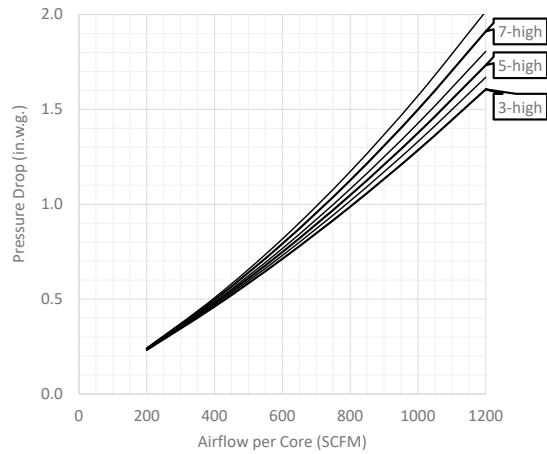
Can be configured on site.  
Available as shown:



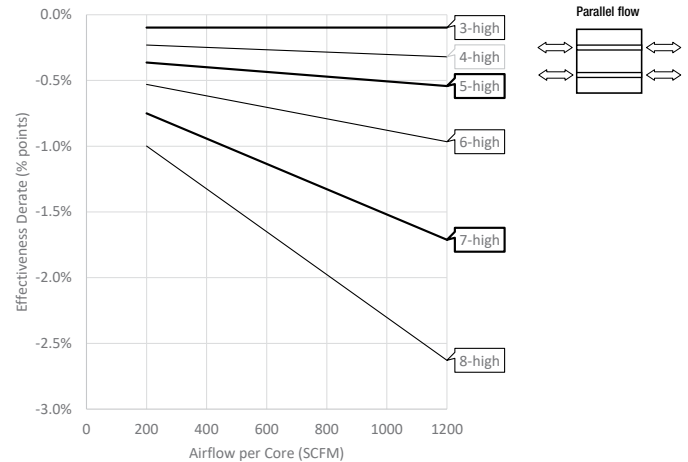
Energy Recovery Core is AHRI Certified®



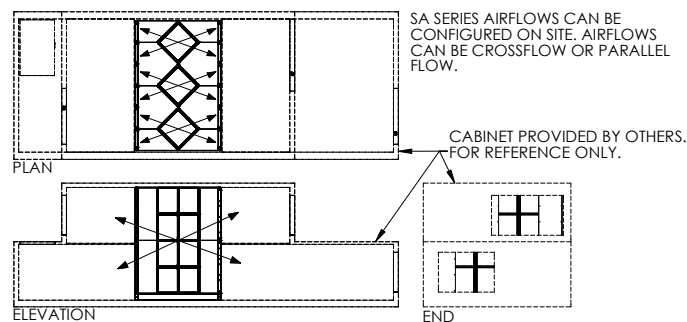
### AIRFLOW PERFORMANCE



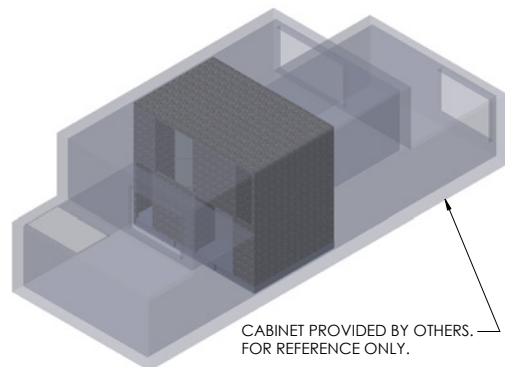
### EFFECTIVENESS SUBTRACTION DERATE FOR PARALLEL FLOW



### APPLICATION



When parallel flow airflow orientation is used, flow is not optimally distributed to every exchanger and performance is slightly reduced. In this case the sensible and latent effectiveness must be derated by the amount shown in the EFFECTIVENESS DERATE chart. This derate is automatically applied by CORES.RenewAire.com (v1.3.0 and after) when parallel flow orientation is selected.

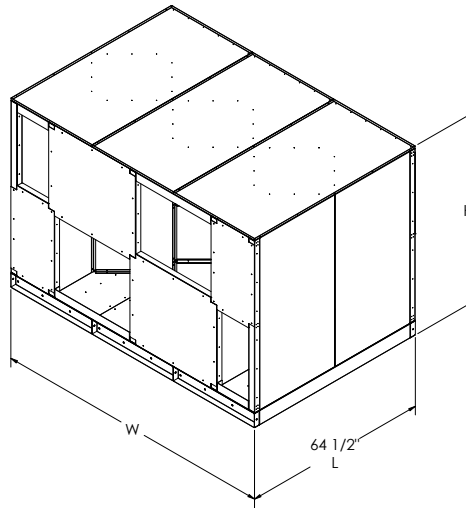


# SA SERIES

## Energy Recovery Core Array

### SA SERIES DIMENSIONS

Energy Recovery Core is AHRI Certified®



Unit (Cores High and Wide)	Typical Airflow Range (CFM)	AHRI 1060 Certified Cores (L125-G5)	Unit Dimensions			Weight (lbs.)
			L (Inches)	W (Inches)	H (Inches)	
SA3H3W	2,250-9,900	9	64 1/2	97 3/4	65 5/8	1,300
SA3H4W	3,000-13,200	12		130 1/4	65 5/8	1,675
SA3H5W	3,750-16,500	15		162 7/8	65 5/8	2,049
SA3H6W	4,500-19,800	18		195 3/8	65 5/8	2,424
SA3H7W	5,250-23,100	21		228	65 5/8	2,798
SA3H8W	6,000-26,400	24		260 1/2	65 5/8	3,172
SA4H3W	3,000-13,200	12		97 3/4	85 1/2	1,582
SA4H4W	4,000-17,600	16		130 1/4	85 1/2	2,030
SA4H5W	5,000-22,000	20		162 7/8	85 1/2	2,479
SA4H6W	6,000-26,400	24		195 3/8	85 1/2	2,927
SA4H7W	7,000-30,800	28		228	85 1/2	3,376
SA4H8W	8,000-35,200	32		260 1/2	85 1/2	3,825
SA5H3W	3,750-16,500	15		97 3/4	105 3/8	1,863
SA5H4W	5,000-22,000	20		130 1/4	105 3/8	2,384
SA5H5W	6,250-27,500	25		162 7/8	105 3/8	2,908
SA5H6W	7,500-33,000	30		195 3/8	105 3/8	3,431
SA5H7W	8,750-38,500	35		228	105 3/8	3,954
SA5H8W	10,000-44,400	40		260 1/2	105 3/8	4,477
SA6H3W	4,500-19,800	18		97 3/4	125 1/2	2,203
SA6H4W	6,000-26,400	24		130 1/4	125 1/2	2,819
SA6H5W	7,500-33,000	30		162 7/8	125 1/2	3,435
SA6H6W	9,000-39,600	36		195 3/8	125 1/2	4,051
SA6H7W	10,500-46,200	42		228	125 1/2	4,666
SA6H8W	12,000-52,800	48		260 1/2	125 1/2	5,282
SA7H3W	5,250-23,100	21		97 3/4	145 3/8	2,483
SA7H4W	7,000-30,800	28		130 1/4	145 3/8	3,174
SA7H5W	8,750-38,500	35		162 7/8	145 3/8	3,864
SA7H6W	10,500-46,200	42		195 3/8	145 3/8	4,554
SA7H7W	12,250-53,900	49		228	145 3/8	5,244
SA7H8W	14,000-61,600	56		260 1/2	145 3/8	5,934
SA8H3W	6,000-26,400	24		97 3/4	165 1/4	2,765
SA8H4W	8,000-35,200	32		130 1/4	165 1/4	3,529
SA8H5W	10,000-44,000	40	162 7/8	165 1/4	4,294	
SA8H6W	12,000-52,800	48	195 3/8	165 1/4	5,058	
SA8H7W	14,000-61,600	56	228	165 1/4	5,822	
SA8H8W	16,000-70,400	64	260 1/2	165 1/4	6,587	