



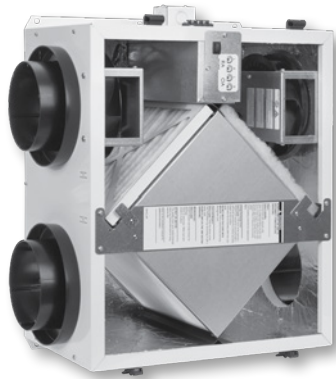
Energy Recovery Ventilator  
EC Motor



INDOOR UNIT

NEW

SPECIFICATIONS



**Ventilation Type:**  
Static plate, heat and humidity transfer

**Typical Airflow Range:** 30–225 CFM

**Unit is HVI Tested/Certified per CSA C439 Protocol:** Using one L-50-G5 Core

**Standard Features:**  
White painted cabinet  
Hard wired to junction box  
Low-voltage circuit for controls  
Unit may be mounted in any orientation  
Cross-core differential pressure ports  
Dial-A-Flow: balance and airflow adjustment  
Variable speed  
Boost-mode

**Controls:**  
Onboard digital controller with independent variable speeds

**Filters:**  
Total qty. 2, MERV 8, spun-polyester media:  
10 1/2" x 10 1/2" x 1"

**Unit Weight:** 36 lbs.

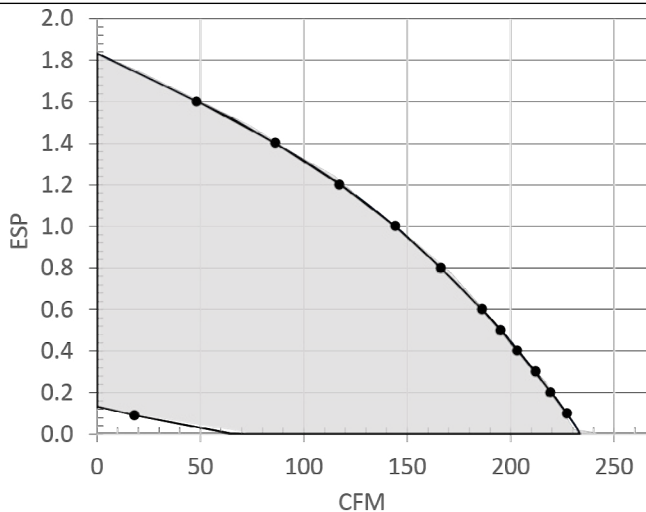
**Max. Shipping Dimensions & Weight (in carton):**  
32" L x 22" W x 18" H  
48 lbs.

**Motor(s):**  
Qty. 2, 120V EC motorized impellers

**Accessories:**  
Backdraft damper: 6", 8"  
Automatic balancing damper: 4", 5", 6"  
Louvered wall vent 6": white, brown  
Louvered wall vent 8": taupe vinyl, galvanized, paintable galvalume  
Louvered wall vent with 8" round duct connection: 12" W x 8" H  
Hooded wall vent 8": galvanized, paintable galvalume  
Digital time clock: wall mount (TC7D-W), in exterior enclosure (TC7D-E)  
Carbon dioxide sensor/control: wall mount (CO2-W), duct mount (CO2-D)  
IAQ sensor: wall mount (IAQ-W), duct mount (IAQ-D)  
Motion occupancy sensor/control: ceiling mount (MC-C), wall mount (MC-W)  
Push-button boost timer (PBT)  
Percentage timer control (PTL)  
Percentage timer control with furnace interlock (FM)  
Push-button point-of-use controls (PBL), PTL req'd.  
MERV 13 filter: OA airstream (shipped loose)  
Electric duct heater: RH series (1–6 kW); designed for indoor ductwork installation only

EC MOTOR OPERATING RANGE

Sample Points Depicted in Larger Dots		
Airflow (CFM)	External Static Pressure (Inches Water Column)	Unit Power Consumption (Watts)
<b>Max. Speed</b>		
233	0.1	179
225	0.2	176
216	0.3	177
210	0.4	174
201	0.5	173
193	0.6	172
184	0.7	170
176	0.8	168
163	0.9	166
150	1.0	162
117	1.2	148
86	1.4	134
48	1.6	112
<b>Min. Speed</b>		
18	0.1	16



**Note:** Watts is for the entire unit.  
**Note:** Airflow performance includes effect of clean, standard filter supplied with unit.  
**Note:** Refer to CORES for specific operating point electrical data.

ELECTRICAL DATA

Watts	Volts	Hz	Phase	FLA per motor	Min. Cir. Amps	Max. Overcurrent Protection Device
85	120	60	1	1.22	10	10

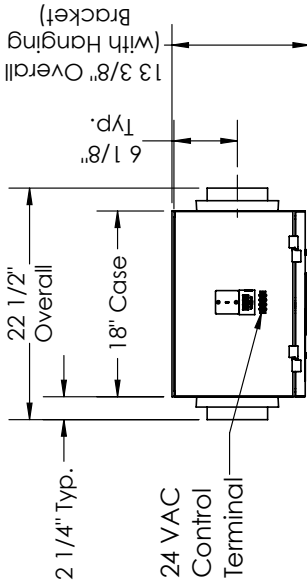
CORE PERFORMANCE

Airflow (CFM)	Sensible EFF%	Total EFF% Winter/Summer
<b>Max. Speed</b>		
233	58	49/26
225	59	50/27
216	60	51/28
210	61	52/30
201	62	53/32
193	63	54/34
184	64	56/36
176	66	57/38
163	67	59/40
150	69	61/42
117	73	67/49
86	77	72/56
48	82	78/63
<b>Min. Speed</b>		
18	86	84/71

**Note:** These are core-only ratings and are not HVI certified. Total EFF% calculated at 35/33wb OA and 70/58wb RA (winter) and 98/78wb OA and 75/63wb RA (summer). HVI ratings apply to complete units only. This unit is HVI certified. See HVI certified ratings on pg. 46 of Single/Multi-Family Catalog and at hvi.org.



**EV Premium MH** Energy Recovery Ventilator EC Motor

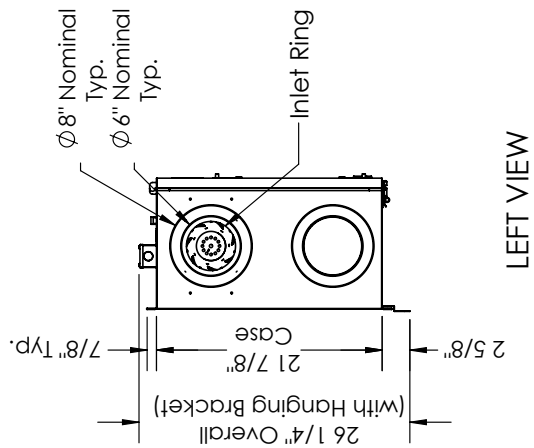


TOP VIEW

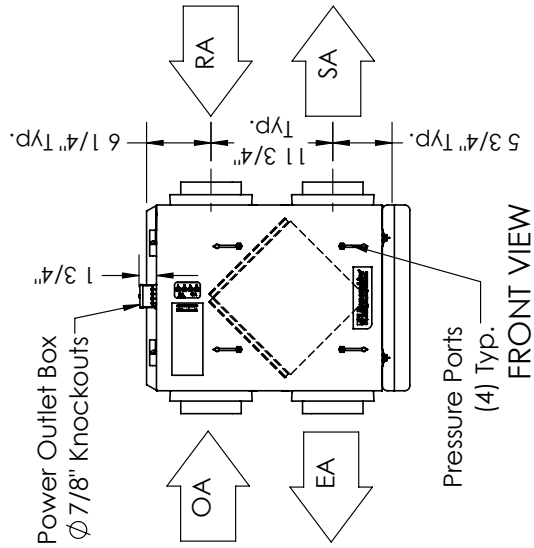
**ABBREVIATIONS**  
EA: Exhaust Air to outside  
OA: Outside Air Intake  
RA: Room Air to be exhausted  
SA: Supply Air to inside

**INSTALLATION ORIENTATION**  
Unit may be installed in any orientation.

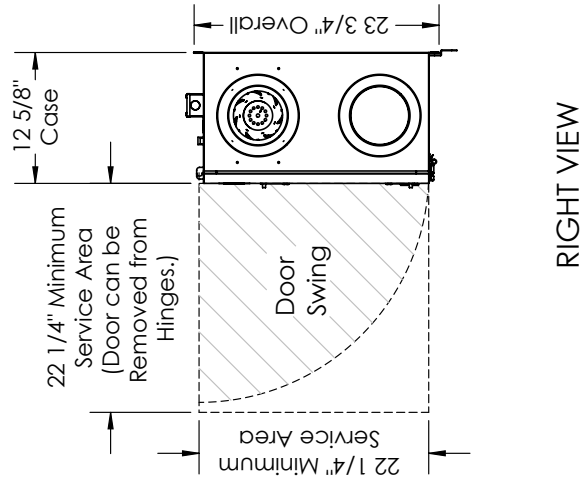
**NOTE**  
1. UNLESS OTHERWISE SPECIFIED, DIMENSIONS ARE ROUNDED TO THE NEAREST EIGHTH OF AN INCH.  
2. SPECIFICATIONS MAY BE SUBJECT TO CHANGE WITHOUT NOTICE.



LEFT VIEW



FRONT VIEW



RIGHT VIEW

**AIRFLOW ORIENTATION**  
Available as shown in dimension drawing.

**UNIT MOUNTING & APPLICATION**  
Can be mounted in any orientation. RA/EA airstream can be switched with OA/SA airstream.