



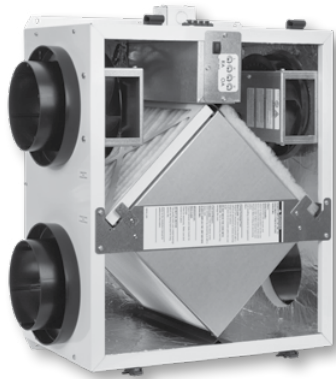
Energy Recovery Ventilator
EC Motor



INDOOR UNIT

NEW

SPECIFICATIONS



Ventilation Type:
Static plate, heat and humidity transfer

Typical Airflow Range: 30–225 CFM

Unit is HVI Tested/Certified per CSA C439 Protocol: Using one L-50-G5 Core

Standard Features:
White painted cabinet
Hard wired to junction box
Low-voltage circuit for controls
Unit may be mounted in any orientation
Cross-core differential pressure ports
Dial-A-Flow: balance and airflow adjustment
Variable speed
Boost-mode

Controls:
Onboard digital controller with independent variable speeds

Filters:
Total qty. 2, MERV 8, spun-polyester media:
10 1/2" x 10 1/2" x 1"

Unit Weight: 36 lbs.

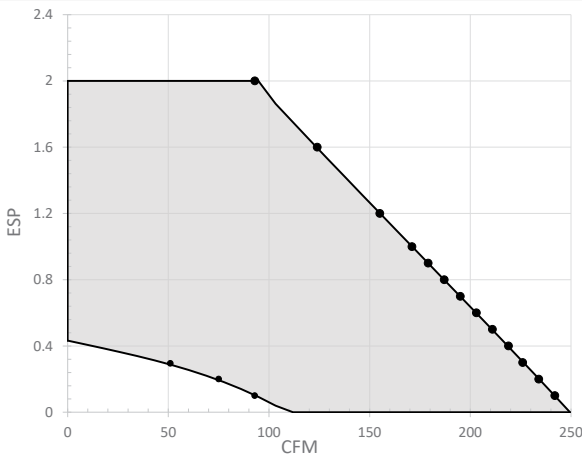
Max. Shipping Dimensions & Weight (in carton):
32" L x 22" W x 18" H
48 lbs.

Motor(s):
Qty. 2, 120V EC motorized impellers

Accessories:
Backdraft damper: 6", 8"
Automatic balancing damper: 4", 5", 6"
Louvered wall vent 6": white, brown
Louvered wall vent 8": taupe vinyl, galvanized, paintable galvanized
Louvered wall vent with 8" round duct connection: 12" W x 8" H
Hooded wall vent 8": galvanized, paintable galvanized
Digital time clock: wall mount (TC7D-W), in exterior enclosure (TC7D-E)
Carbon dioxide sensor/control: wall mount (CO2-W), duct mount (CO2-D)
IAQ sensor: wall mount (IAQ-W), duct mount (IAQ-D)
Motion occupancy sensor/control: ceiling mount (MC-C), wall mount (MC-W)
Push-button boost timer (PBT)
Percentage timer control (PTL)
Percentage timer control with furnace interlock (FM)
Push-button point-of-use controls (PBL), PTL req'd.
MERV 13 filter: OA airstream (shipped loose)
Electric duct heater: RH series (1–6 kW); designed for indoor ductwork installation only

EC MOTOR OPERATING RANGE

Sample Points Depicted in Larger Dots		
Airflow (CFM)	External Static Pressure (Inches Water Column)	Unit Power Consumption (Watts)
Max. Speed		
242	0.1	191
234	0.2	190
226	0.3	189
219	0.4	189
211	0.5	191
203	0.6	192
195	0.7	189
187	0.8	191
179	0.9	189
171	1.0	190
155	1.2	191
124	1.6	190
92	2	112
Min. Speed		
93	0.1	74
75	0.2	68
51	0.3	58



CORE PERFORMANCE

Airflow (CFM)	Sensible EFF%	Total EFF% Winter/Summer
Max. Speed		
242	57	47/28
234	58	48/29
226	59	49/31
219	60	50/32
211	61	52/34
203	62	53/35
195	63	54/37
187	64	56/38
179	65	57/40
171	66	58/42
155	68	61/45
124	72	66/51
92	77	71/57
Min. Speed		
93	76	71/57
75	79	74/60
51	82	78/65

Note: Watts is for the entire unit.
Note: Airflow performance includes effect of clean, standard filter supplied with unit.
Note: Refer to CORES for specific operating point electrical data.

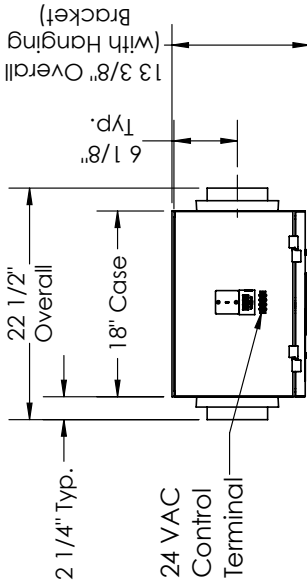
ELECTRICAL DATA

Watts	Volts	Hz	Phase	FLA per motor	Min. Cir. Amps	Max. Overcurrent Protection Device
85	120	60	1	1.22	10	10

Note: These are core-only ratings and are not HVI certified. Total EFF% calculated at 35/33wb OA and 70/58wb RA (winter) and 95/78wb OA and 75/63wb RA (summer). HVI ratings apply to complete units only. This unit is HVI certified. See HVI certified ratings on pg. 46 of Single/Multi-Family Catalog and at hvi.org.



EV Premium MH Energy Recovery Ventilator EC Motor

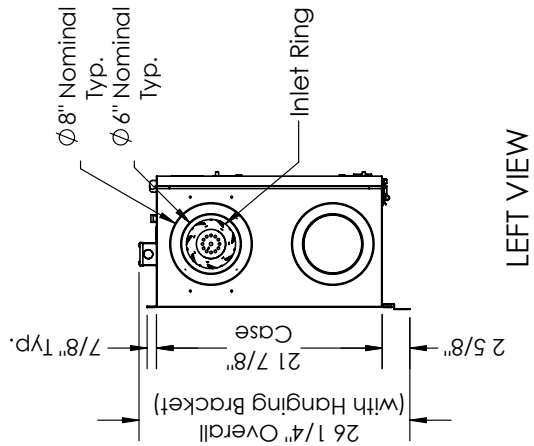


TOP VIEW

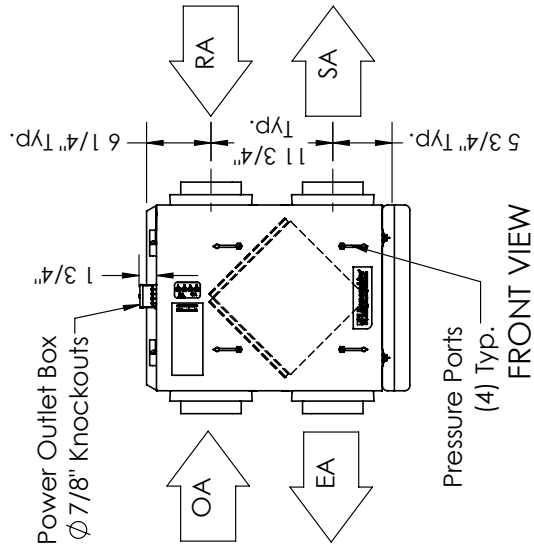
ABBREVIATIONS
EA: Exhaust Air to outside
OA: Outside Air Intake
RA: Room Air to be exhausted
SA: Supply Air to inside

INSTALLATION ORIENTATION
Unit may be installed in any orientation.

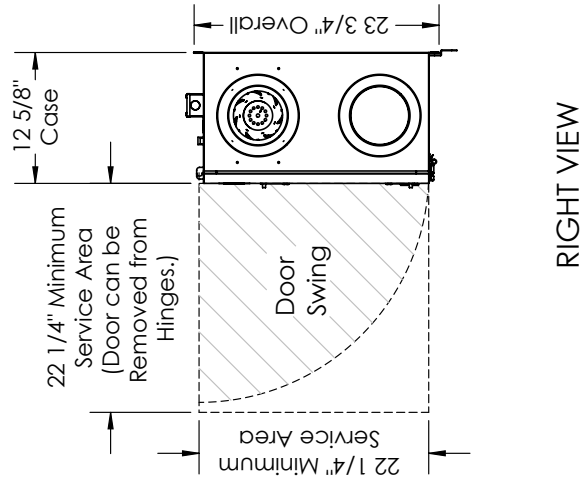
NOTE
1. UNLESS OTHERWISE SPECIFIED, DIMENSIONS ARE ROUNDED TO THE NEAREST EIGHTH OF AN INCH.
2. SPECIFICATIONS MAY BE SUBJECT TO CHANGE WITHOUT NOTICE.



LEFT VIEW



FRONT VIEW



RIGHT VIEW

AIRFLOW ORIENTATION
Available as shown in dimension drawing.

UNIT MOUNTING & APPLICATION
Can be mounted in any orientation. RA/EA airstream can be switched with OA/SA airstream.