

**ABBREVIATIONS**

EA: Exhaust Air to Outside  
 OA: Outside Air Intake  
 RA: Room Air to be Exhausted  
 SA: Supply Air to Inside

**INSTALLATION ORIENTATION**

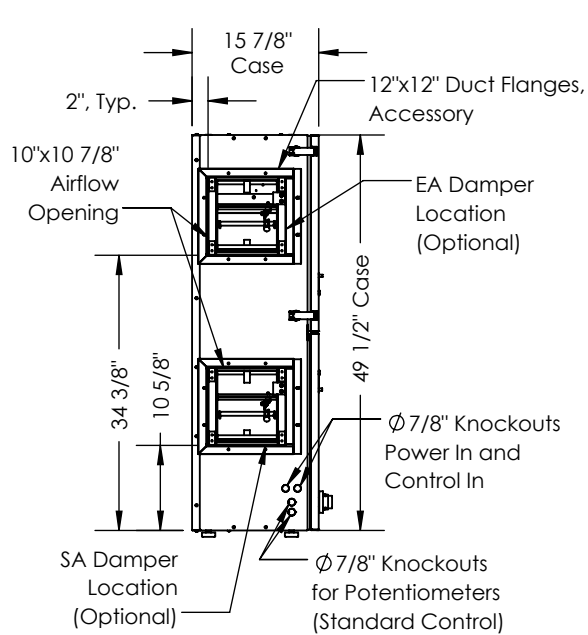
Unit may be installed in any orientation.

**NOTE**

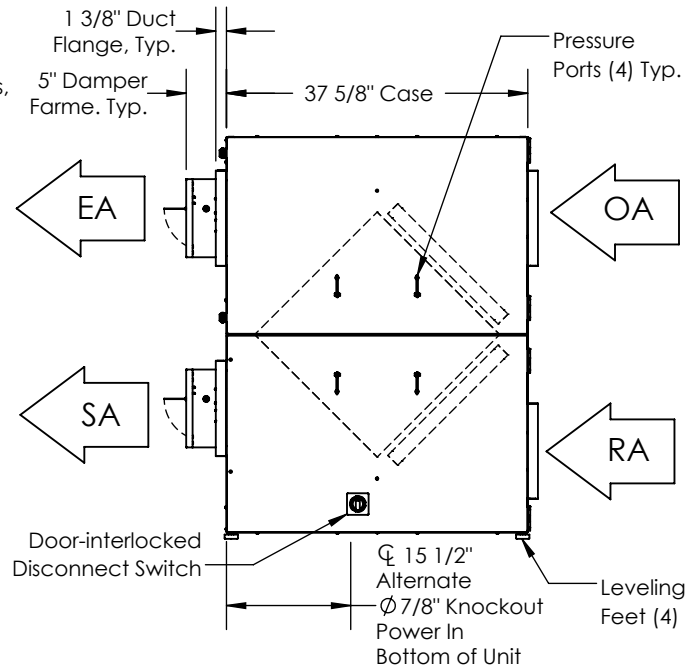
1. UNLESS OTHERWISE SPECIFIED, DIMENSIONS ARE ROUNDED TO THE NEAREST EIGHTH OF AN INCH.

2. SPECIFICATIONS MAY BE SUBJECT TO CHANGE WITHOUT NOTICE.

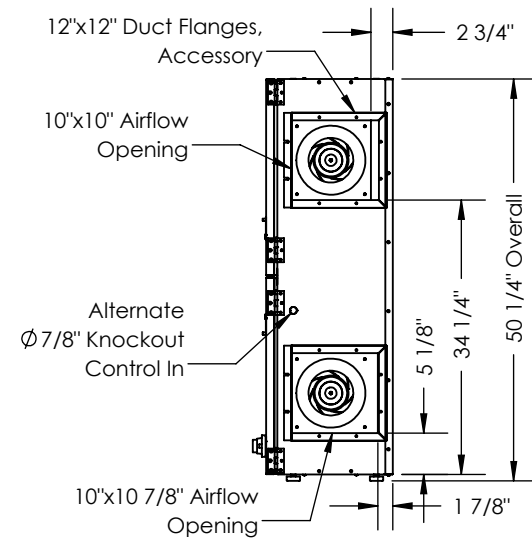
**TOP VIEW**



**LEFT VIEW**



**FRONT VIEW**



**RIGHT VIEW**