

ABBREVIATIONS

EA: Exhaust Air to Outside
 OA: Outside Air Intake
 RA: Room Air to be Exhausted
 SA: Supply Air to Inside

INSTALLATION ORIENTATION

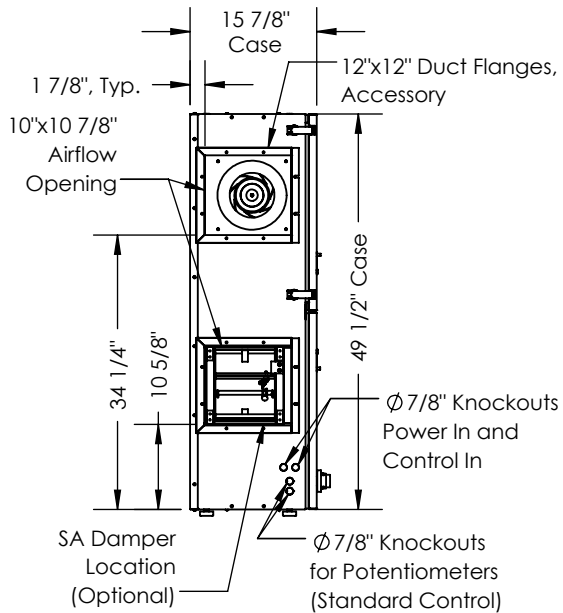
Unit may be installed in any orientation.

NOTE

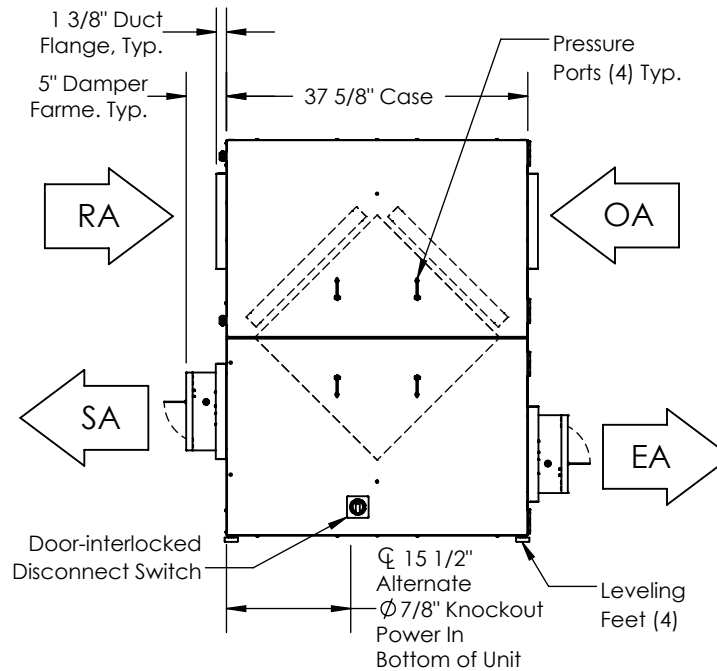
1. UNLESS OTHERWISE SPECIFIED, DIMENSIONS ARE ROUNDED TO THE NEAREST EIGHTH OF AN INCH.

2. SPECIFICATIONS MAY BE SUBJECT TO CHANGE WITHOUT NOTICE.

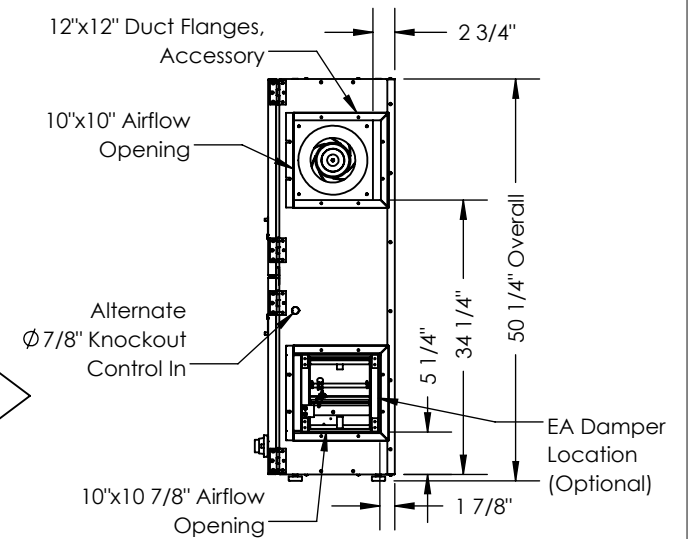
TOP VIEW



LEFT VIEW



FRONT VIEW



RIGHT VIEW

Model: HE07INV
 Drawing Type: Unit Dimension
 Version: AUG23

