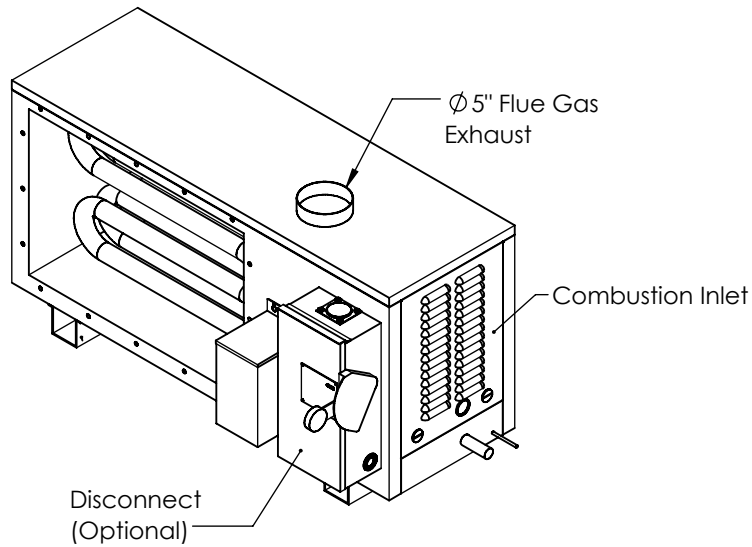
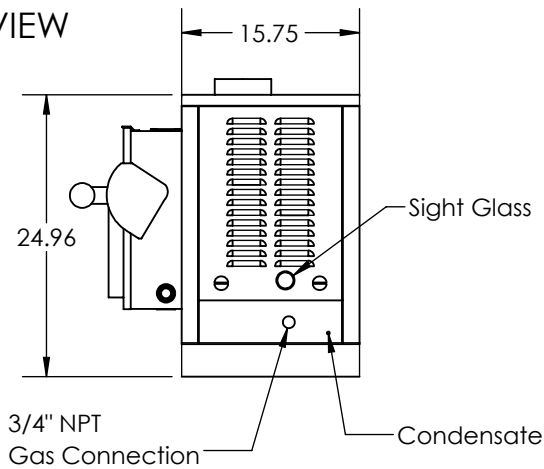


**NOTE**

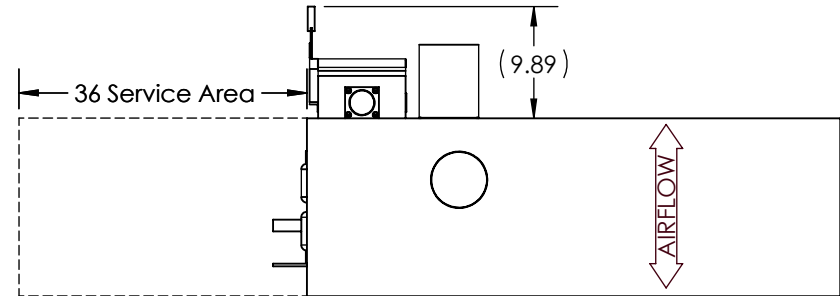
1. UNIT MUST BE INSTALLED IN ORIENTATION SHOWN.
2. SPECIFICATIONS MAY BE SUBJECT TO CHANGE WITHOUT NOTICE.



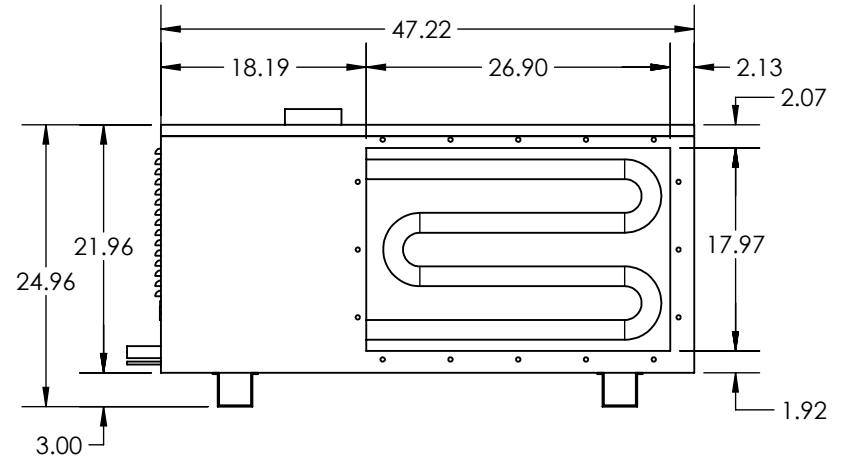
ISOMETRIC VIEW



FRONT VIEW



TOP VIEW



RIGHT VIEW