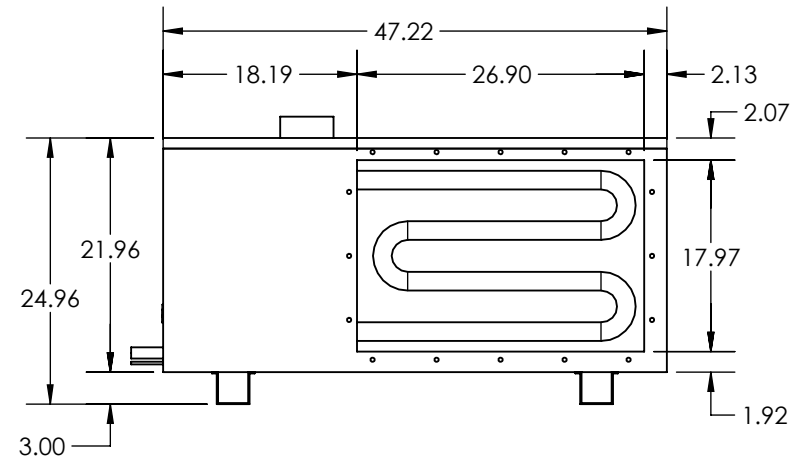
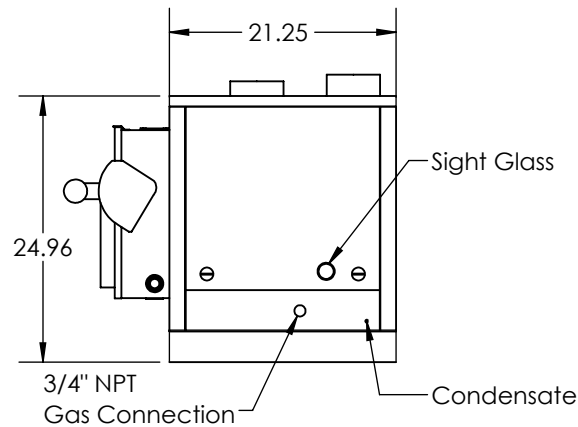
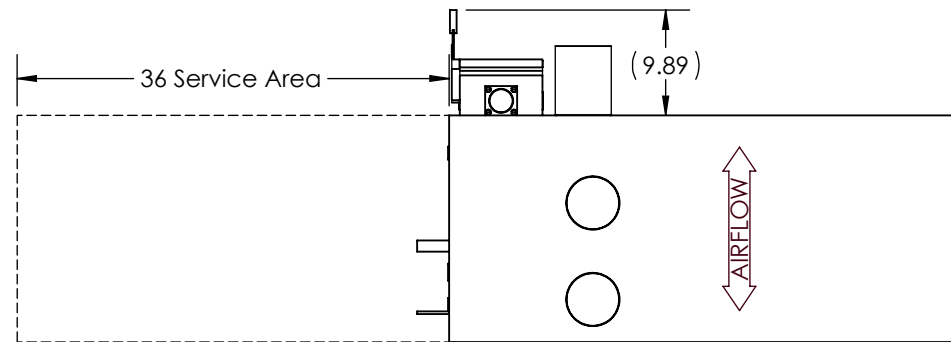
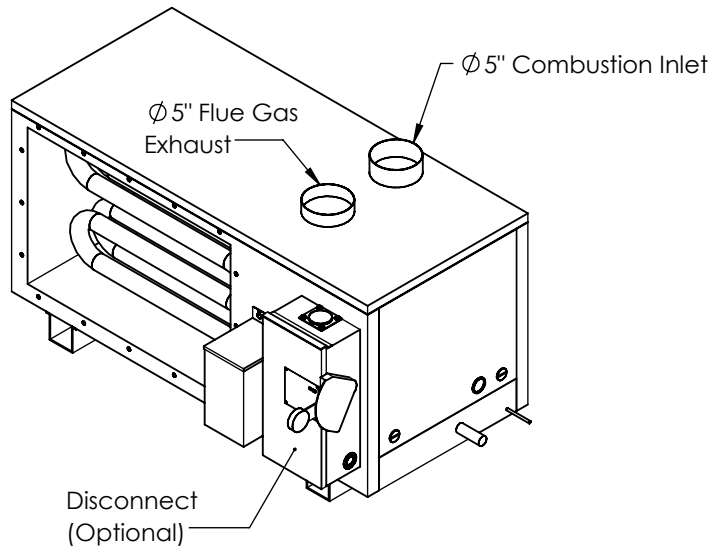


NOTE

1. UNIT MUST BE INSTALLED IN ORIENTATION SHOWN.
2. SPECIFICATIONS MAY BE SUBJECT TO CHANGE WITHOUT NOTICE.



Model: GH-INSI125
Drawing Type: Unit Dimension
Version: JAN24