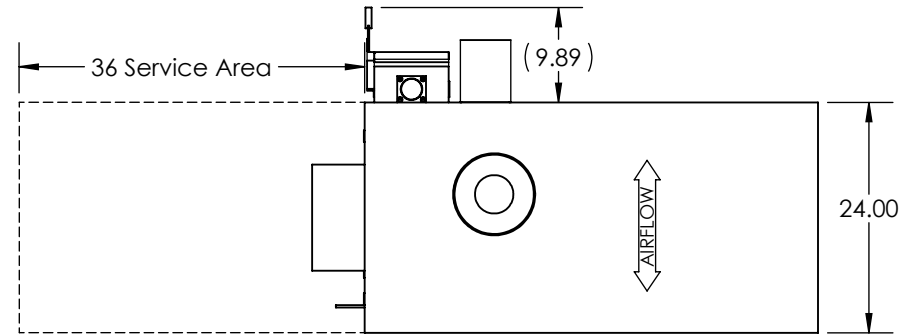


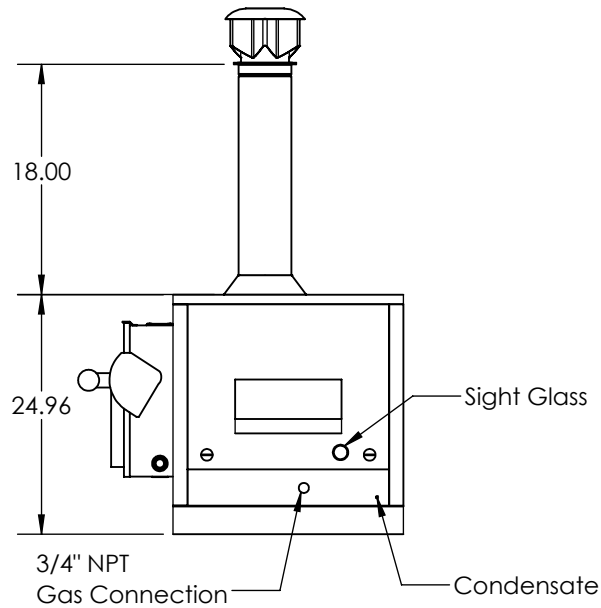
ISOMETRIC VIEW

NOTE

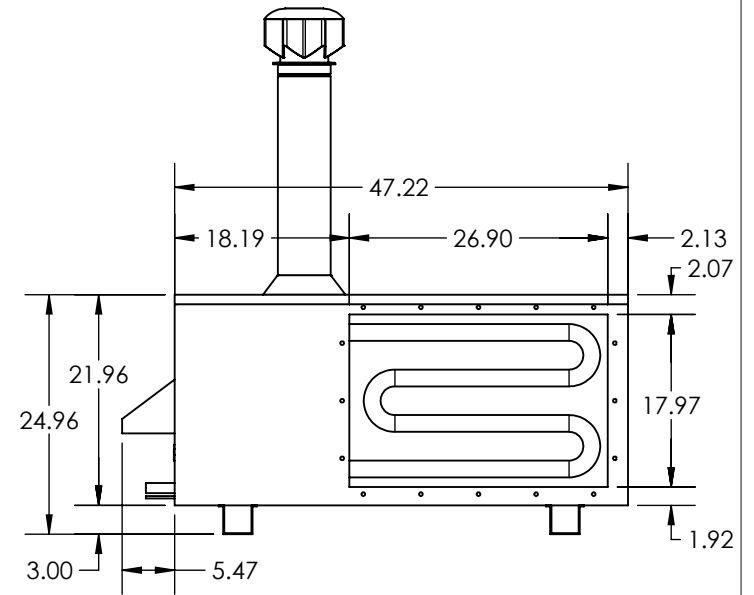
1. UNIT MUST BE INSTALLED IN ORIENTATION SHOWN.
2. SPECIFICATIONS MAY BE SUBJECT TO CHANGE WITHOUT NOTICE.



TOP VIEW



FRONT VIEW



RIGHT VIEW