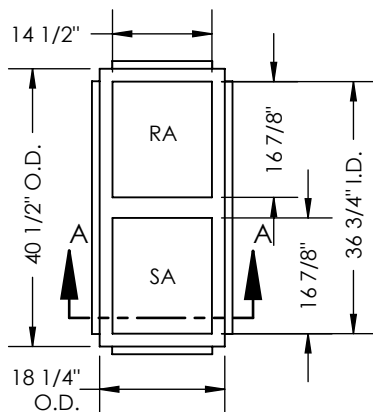


TOP VIEW



HE10RT CURB

**ABBREVIATIONS**

EA: Exhaust Air to Outside  
OA: Outside Air Intake  
RA: Room Air to be Exhausted  
SA: Supply Air to Inside  
RTF: Rooftop Vertical SA Only  
RTH: Rooftop Horizontal RA & SA

**INSTALLATION ORIENTATION**

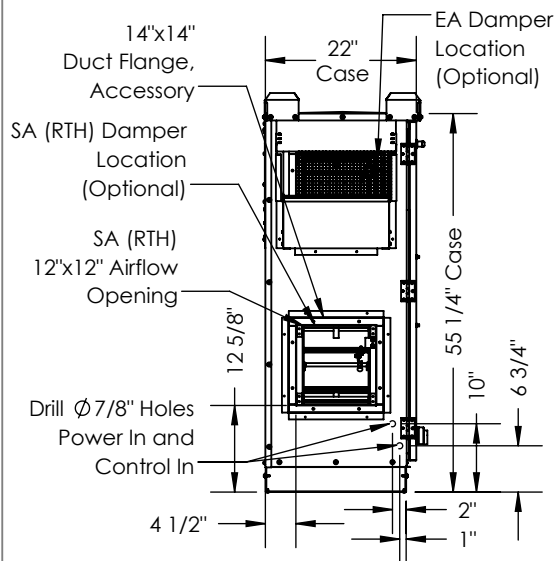
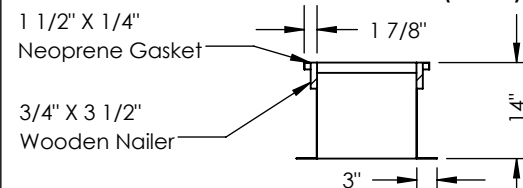
Unit must be installed in orientation shown.

**NOTE**

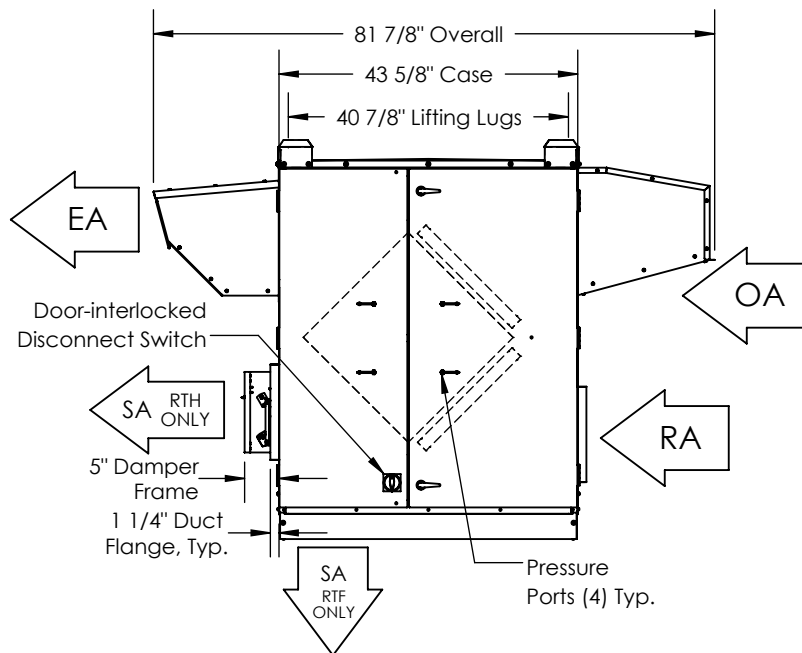
1. UNLESS OTHERWISE SPECIFIED, DIMENSIONS ARE ROUNDED TO THE NEAREST EIGHTH OF AN INCH.

2. SPECIFICATIONS MAY BE SUBJECT TO CHANGE WITHOUT NOTICE.

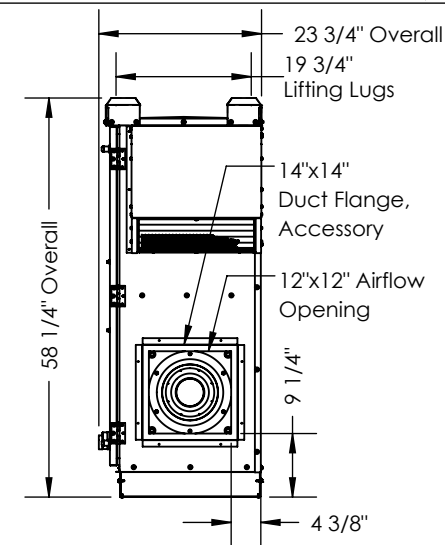
**CURB CROSS-SECTION A-A (TYP.)**



LEFT VIEW



FRONT VIEW



RIGHT VIEW

Model: HE10 RTF/RTH  
Drawing Type: Unit Dimension  
Version: OCT23

