

GH INDOOR

INDIRECT GAS-FIRED DUCT FURNACE ACCESSORY



INDOOR INDIRECT GAS-FIRED DUCT FURNACE



Indoor IN-KI shown

SPECIFICATIONS

Heater Type:
Indirect Gas-Fired Duct Furnace

Typical Input Capacity (MBH):
50, 75, 100, 125, 150, 175,
200, 250, 300, 350, 400

Standard Features:
Tubular heaters
Indirect natural gas fired
Indoor installation
81% thermal efficiency
Horizontal airflow
Rated for elevations from 0–2,000 ft.
409 stainless steel heat exchanger
409 stainless steel burners
Flue/combustion air: indoor models
Vertical (separated indoor)
Vertical top exhaust with louvered intake
Direct spark ignition
1-stage/2-stage gas controls
Induced draft venting
Terminal block for power and control wiring
Automatic high limit safety shut-off
Auxiliary manual high limit switch
Combustion air pressure switch
Air proving switch
Combination gas valve with shutoff

Standard Features (continued):
Flame rollout switch
Manual shut off valve
3/8" condensate drain connection

Voltages & Phase:
Single phase: 120V, 230V

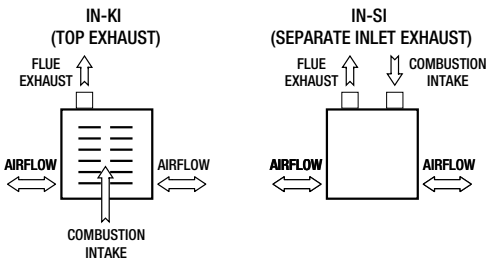
Control Voltage:
24VAC

Shipping:
Shipped loose with base unit and installed in the field

Options:
Indirect propane fired fuel
Elevation correction for elevation > 2,000 ft.
304 stainless steel heat exchanger
5:1 continuous electronic modulation for all furnaces
10:1 continuous electronic modulation for furnaces
200 MBH and larger
Duct thermostat for modulation control
Disconnect switch
Power fusing

Accessory:
Duct thermostat for 1-stage/2-stage control
Duct thermostat for modulation control

FLUE AND COMBUSTION AIR CONFIGURATION



Note: The total equivalent length of vent pipe must not exceed 50 feet. If equivalent length exceeds 50 feet refer to IOM for recommendations.
Caution: All indirect gas-fired duct furnaces to be installed downstream of the ERV and on the positive side of the supply fan.

TEMPERATURE RISE AND PRESSURE DROP

FIGURE 1 GAS FURNACE 50–200 MBH

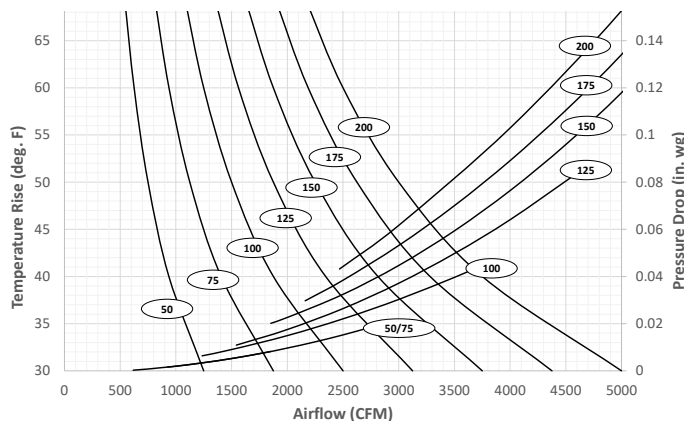
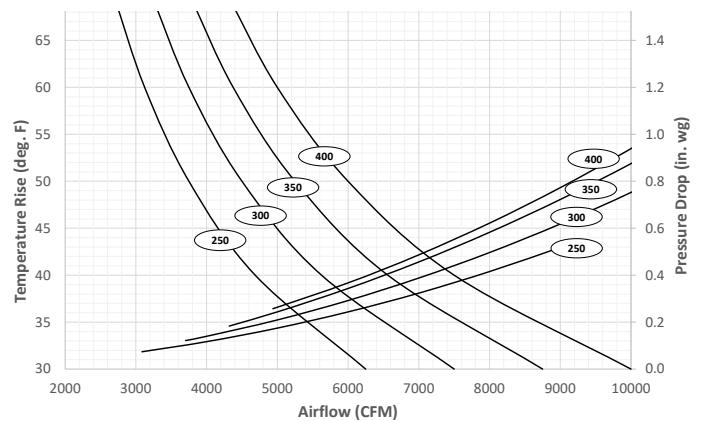


FIGURE 2 GAS FURNACE 250–400 MBH



DUCT FURNACE DIMENSIONS

FIGURE 3 IN-KI (TOP EXHAUST INDOOR)

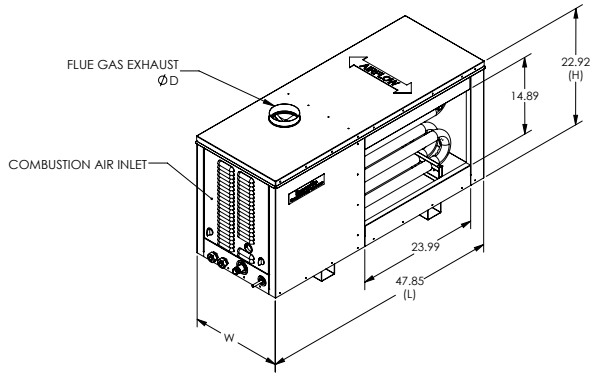
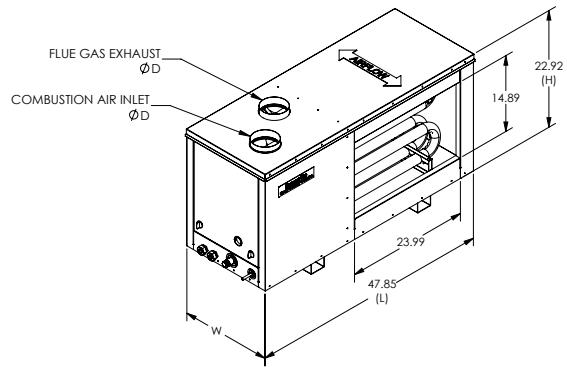


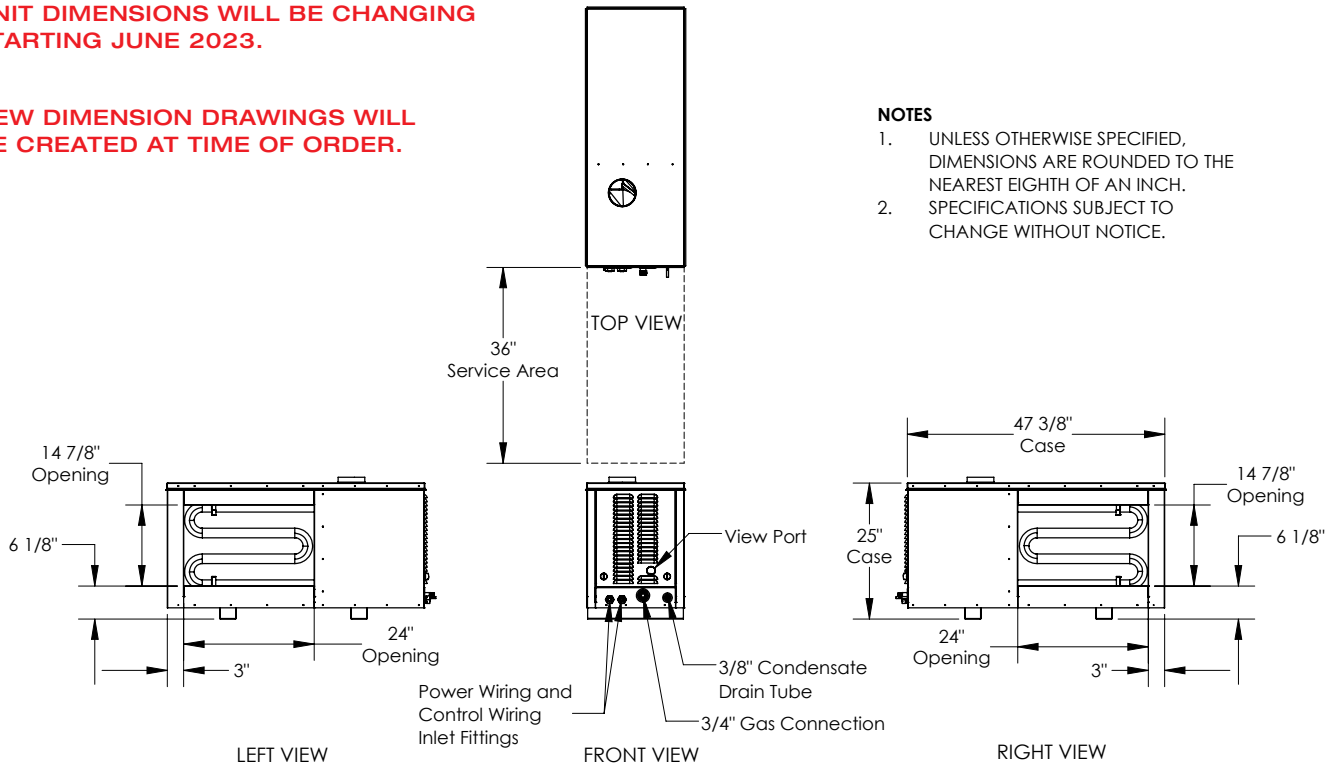
FIGURE 4 IN-SI (SEPARATE INLET EXHAUST INDOOR)



INDIRECT GAS-FIRED DUCT FURNACE DIMENSIONS

UNIT DIMENSIONS WILL BE CHANGING STARTING JUNE 2023.

NEW DIMENSION DRAWINGS WILL BE CREATED AT TIME OF ORDER.



NOTES

1. UNLESS OTHERWISE SPECIFIED, DIMENSIONS ARE ROUNDED TO THE NEAREST EIGHTH OF AN INCH.
2. SPECIFICATIONS SUBJECT TO CHANGE WITHOUT NOTICE.