



OUTDOOR INDIRECT GAS-FIRED DUCT FURNACE ACCESSORY



ROOFTOP INDIRECT GAS-FIRED DUCT FURNACE

SPECIFICATIONS



Rooftop RT-NO shown

Heater Type:
Indirect Gas-Fired Duct Furnace

Typical Input Capacity (MBH):
50, 75, 100, 125, 150, 175,
200, 250, 300, 350, 400

Standard Features:
Tubular heaters
Indirect natural gas fired
Outdoor installation
81% thermal efficiency
Horizontal airflow
Rated for elevations from 0–2,000 ft.
409 stainless steel heat exchanger
409 stainless steel burners
Flue/combustion air: outdoor models
Horizontal separated outdoor with hoods
Vertical top exhaust with intake hood
Direct spark ignition
1-stage/2-stage gas controls
Induced draft venting
Terminal block for power and control wiring
Automatic high limit safety shut-off
Auxiliary manual high limit switch
Combustion air pressure switch
Air proving switch

Standard Features (continued):
Combination gas valve with shutoff
Flame rollout switch
Manual shut off valve
3/8" condensate drain connection

Voltages & Phase:
Single phase: 120V, 230V

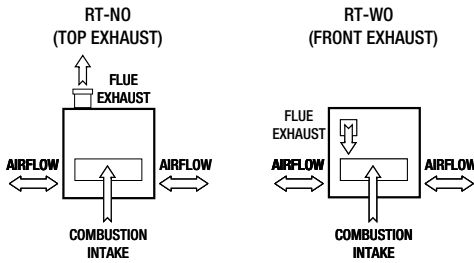
Control Voltage:
24VAC

Shipping:
Shipped loose with base unit and installed in the field

Options:
Indirect propane fired fuel
Elevation correction for elevation > 2,000 ft.
304 stainless steel heat exchanger
5:1 continuous electronic modulation for all furnaces
10:1 continuous electronic modulation for furnaces
200 MBH and larger
Duct thermostat for modulation control
Disconnect switch
Power fusing

Accessory:
Duct thermostat for 2-stage control
Duct thermostat for modulation control
Duct curb

FLUE AND COMBUSTION AIR CONFIGURATION



Caution: All indirect gas-fired duct furnaces to be installed downstream of the ERV and on the positive side of the supply fan.

TEMPERATURE RISE AND PRESSURE DROP

FIGURE 1 GAS FURNACE 50–200 MBH

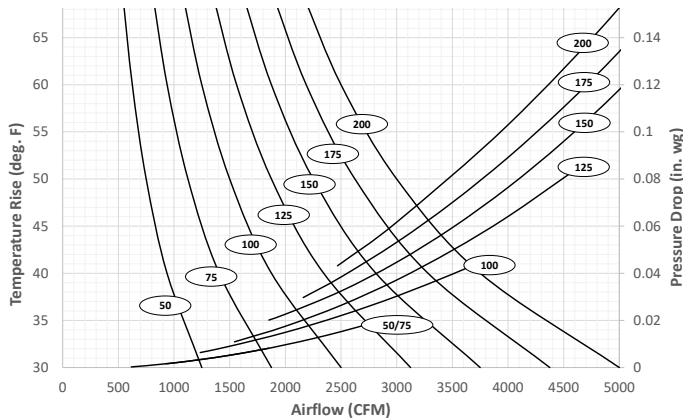
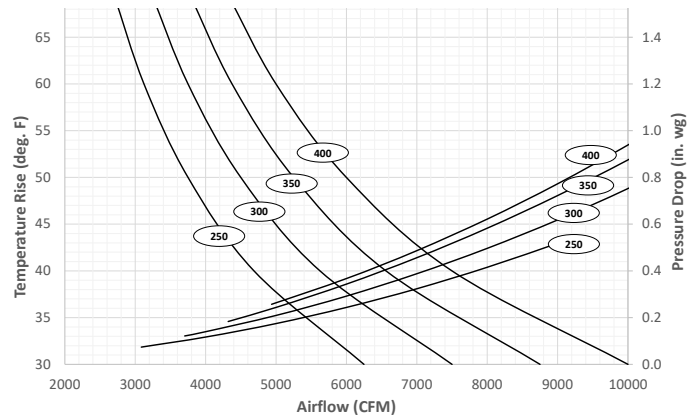


FIGURE 2 GAS FURNACE 250–400 MBH



DUCT FURNACE DIMENSIONS

FIGURE 3 RT-NO (TOP EXHAUST OUTDOOR)

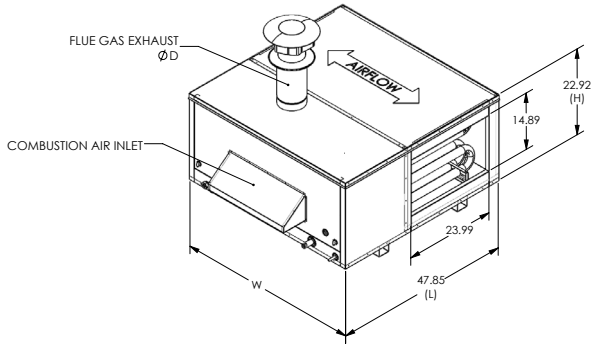
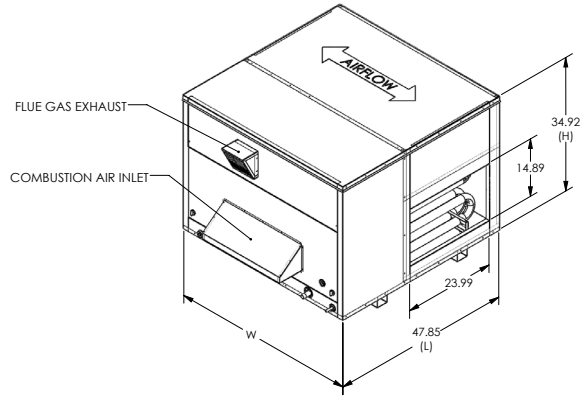


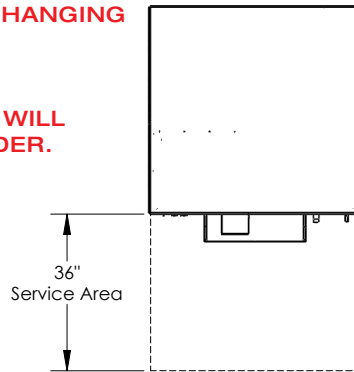
FIGURE 4 RT-WO (FRONT EXHAUST OUTDOOR)



INDIRECT GAS-FIRED DUCT FURNACE DIMENSIONS

UNIT DIMENSIONS WILL BE CHANGING STARTING JUNE 2023.

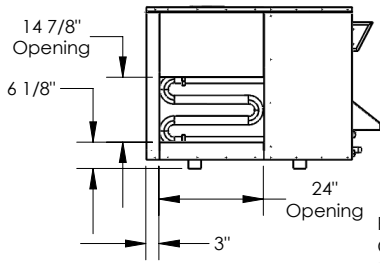
NEW DIMENSION DRAWINGS WILL BE CREATED AT TIME OF ORDER.



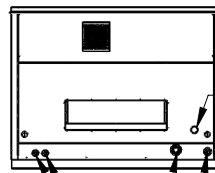
TOP VIEW

NOTES

1. UNLESS OTHERWISE SPECIFIED, DIMENSIONS ARE ROUNDED TO THE NEAREST EIGHTH OF AN INCH.
2. SPECIFICATIONS SUBJECT TO CHANGE WITHOUT NOTICE.

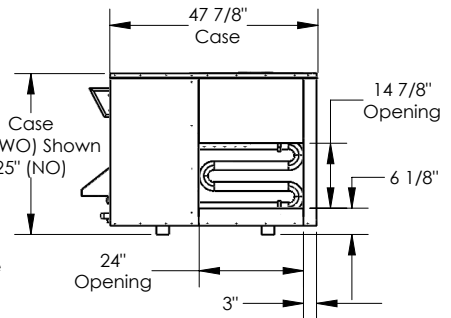


LEFT VIEW



FRONT VIEW

Power Wiring and Control Wiring Inlet Fittings
3/8" Condensate Drain Tube
3/4" Gas Connection



RIGHT VIEW